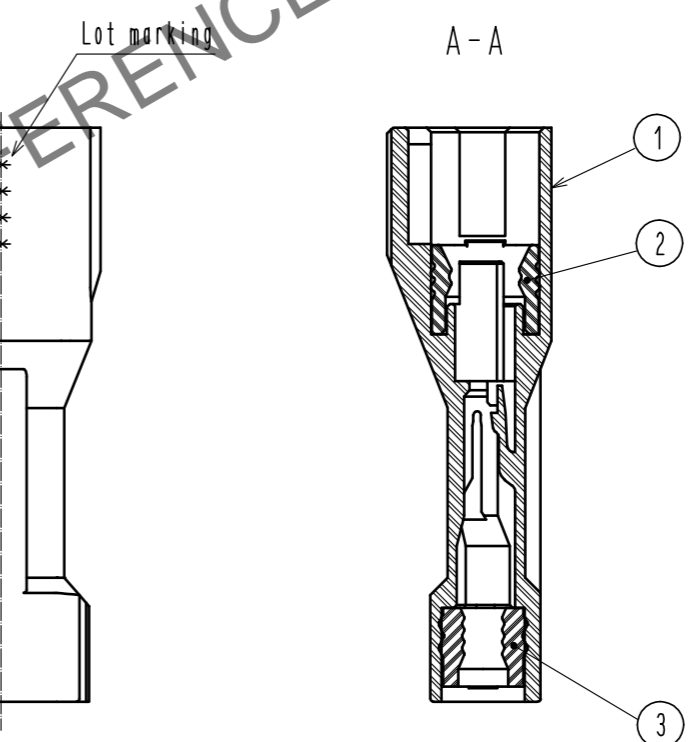
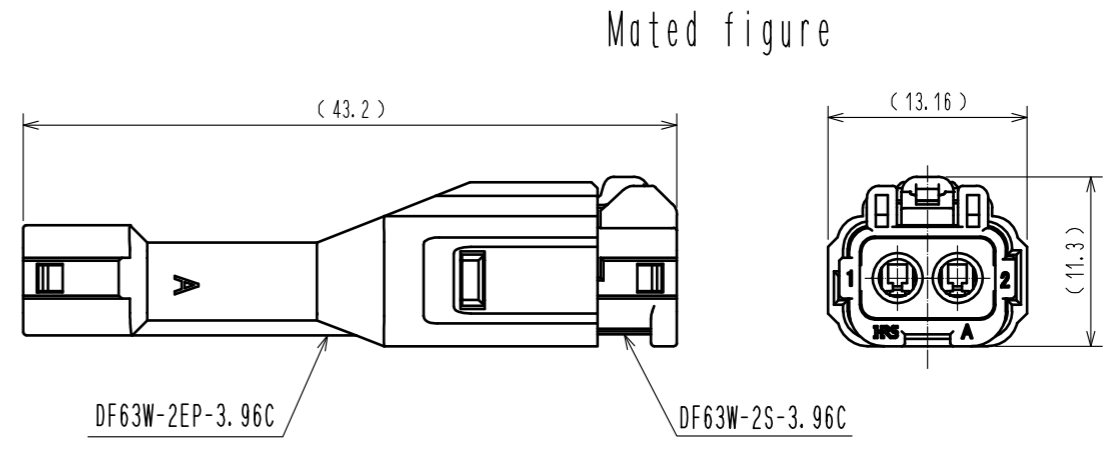
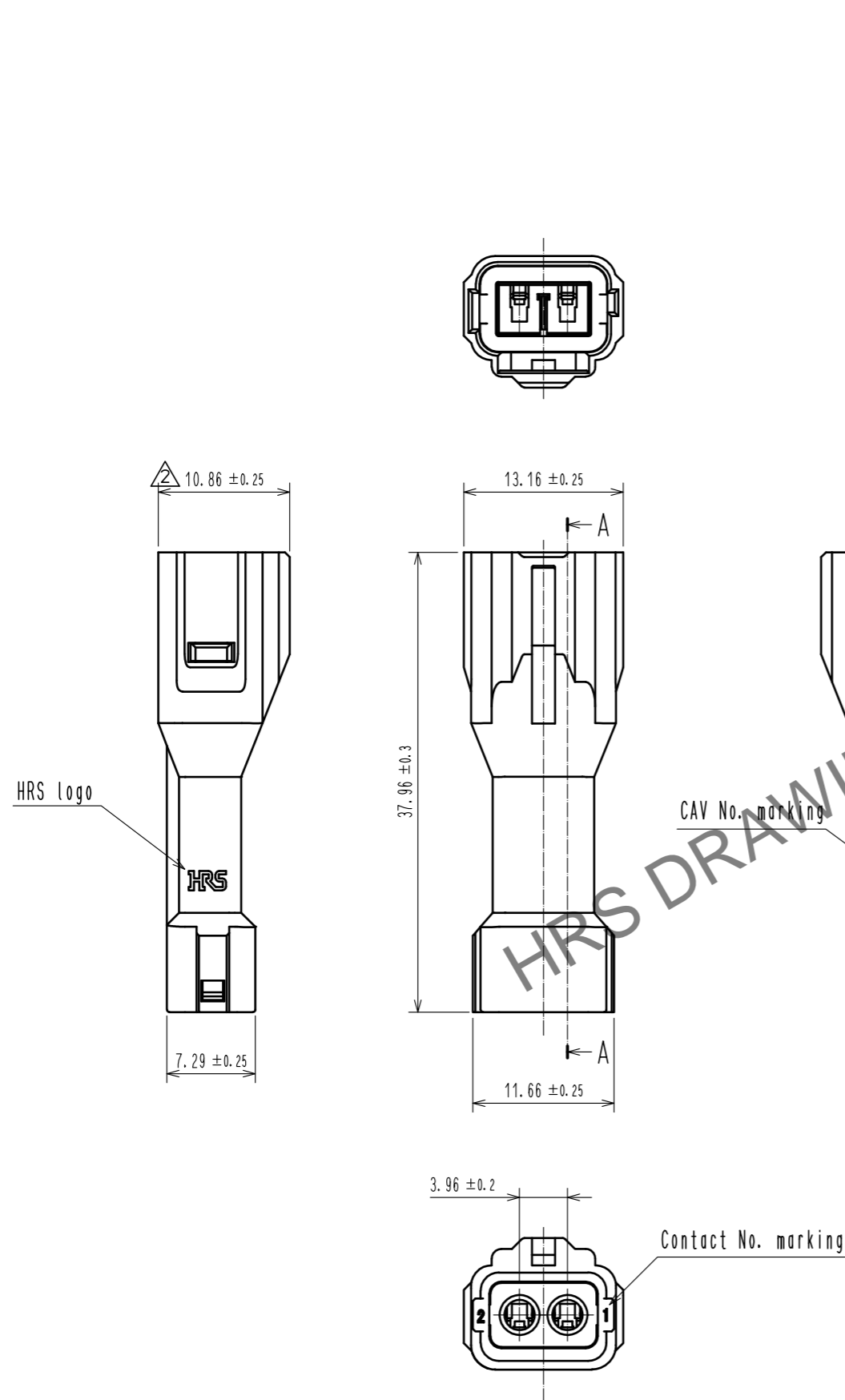


Sep.1.2024 Copyright 2024 HIROSE ELECTRIC CO., LTD. All Rights Reserved.  
 In case of consideration for using Automotive equipment / device which demand high reliability, kindly contact our sales window correspondents.

1 2 3 4 5 6 7 8

A  
B  
C  
D  
E  
F

A  
B  
C  
D  
E  
F



- Notes.
1. 100 pcs. / pack
  2. Applicable cable dia :  $\phi 2.8 \sim \phi 3.2$ mm
  3. The dimensions in parenthesis are reference dimensions.
  4. Always refer to the manuals below for operation of this product.  
For cable assembly / ETAD-H0814

1	PBT	UL94V-0 (Black)	3	Silicone rubber	Blue
2			2	Silicone rubber	Blue
NO.	MATERIAL	FINISH . REMARKS	NO.	MATERIAL	FINISH . REMARKS
UNITS		SCALE	COUNT	DESCRIPTION OF REVISIONS	
mm		2 : 1	1	DESIGNED	CHECKED
				TO. HORII	HK. UMEHARA
				DATE	15. 10. 07
<b>HRS</b> HIROSE ELECTRIC CO., LTD.		APPROVED : HK. UMEHARA	15. 03. 10	DRAWING NO. EDC-359247-00-00	
		CHECKED : HK. UMEHARA	15. 03. 10	PART NO. DF63W-2EP-3. 96C	
		DESIGNED : TO. HORII	15. 03. 10	CODE NO. CL680-0605-9-00	
		DRAWN : TO. HORII	15. 03. 10		

FORM HC0011-5-7 1 2 3 4 5 6 7 8