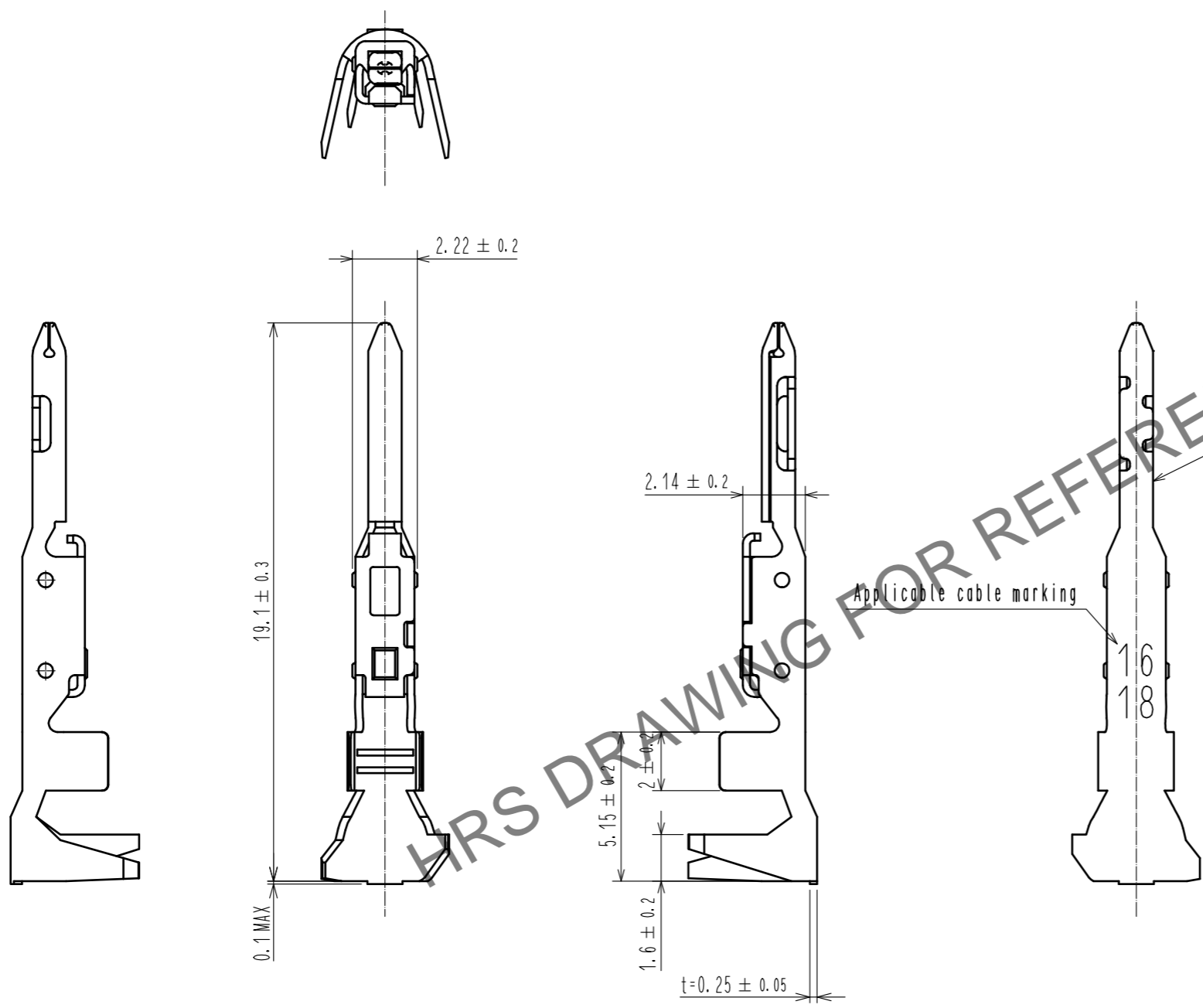


Sep.1.2024 Copyright 2024 HIROSE ELECTRIC CO., LTD. All Rights Reserved.
In case of consideration for using Automotive equipment / device which demand high reliability, kindly contact our sales window correspondents.



Notes 1. Per Pack : 100 Pieces.
2. UL(File No.E52653)
C-UL(File No.E52653)
TUV (Certificate No.R50244085) authorization article.



NO.		MATERIAL		FINISH . REMARKS		NO.		MATERIAL		FINISH . REMARKS	
		1		Copper alloy				Contact area : Gold plating 0.2μm MIN Barrel area : Tin plating 1μm MIN Others : Nickel plating 1μm MIN			
UNITS		SCALE	COUNT	DESCRIPTION OF REVISIONS				DESIGNED	CHECKED	DATE	
mm		5 : 1									
HRS		HIROSE ELECTRIC CO., LTD.		APPROVED : SJ. OKAMURA	20210730	DRAWING NO.		EDC-382873-00-00			
				CHECKED : SZ. ONO	20210730	PART NO.		DF63-1618PCA			
				DESIGNED : TS. KUMAZAWA	20210730	CODE NO.		CL0680-0637-0-00			
				DRAWN : YK. MITSUISHI	20210730			1/1			