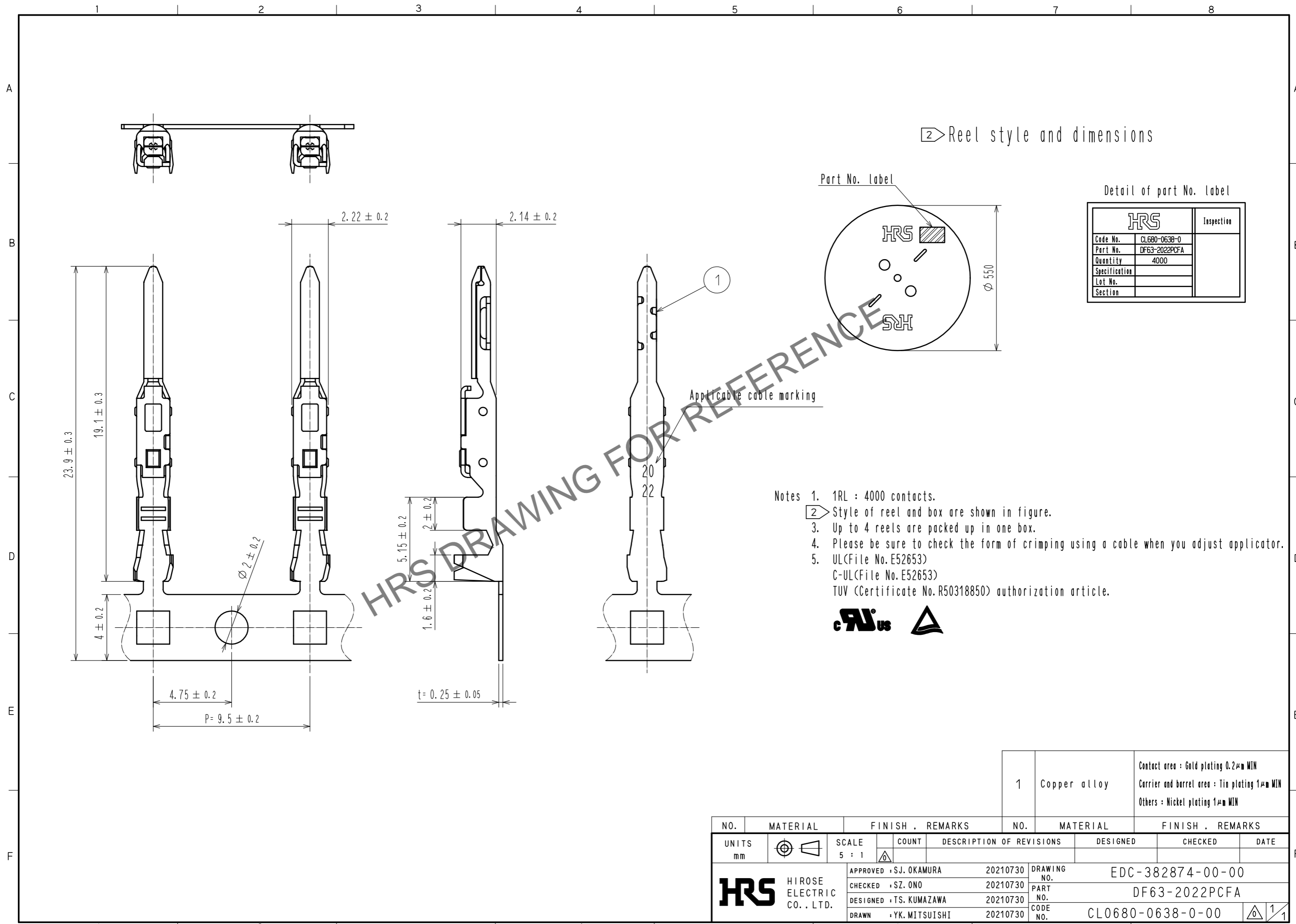
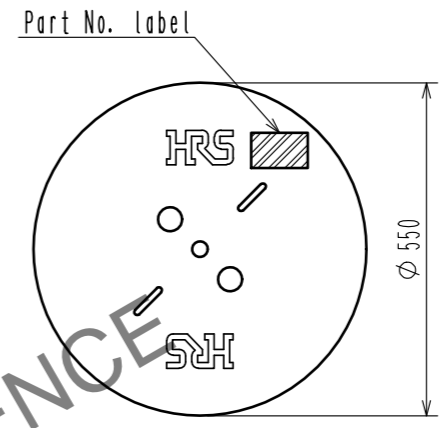


Sep.1.2024 Copyright 2024 HIROSE ELECTRIC CO., LTD. All Rights Reserved.  
In case of consideration for using Automotive equipment / device which demand high reliability, kindly contact our sales window correspondents.



2 Reel style and dimensions



Detail of part No. label

<b>HRS</b>		Inspection
Code No.	CL680-0638-0	
Part No.	DF63-2022PCFA	
Quantity	4000	
Specification		
Lot No.		
Section		

- Notes
- 1RL : 4000 contacts.
  - 2 Style of reel and box are shown in figure.
  - Up to 4 reels are packed up in one box.
  - Please be sure to check the form of crimping using a cable when you adjust applicator.
  - UL(File No. E52653)  
C-UL(File No. E52653)  
TUV (Certificate No. R50318850) authorization article.



1	Copper alloy	Contact area : Gold plating 0.2μm MIN Carrier and barrel area : Tin plating 1μm MIN Others : Nickel plating 1μm MIN
---	--------------	---

NO.	MATERIAL	FINISH . REMARKS	NO.	MATERIAL	FINISH . REMARKS
UNITS mm		SCALE 5 : 1	COUNT 	DESCRIPTION OF REVISIONS	
<b>HRS</b> HIROSE ELECTRIC CO., LTD.			APPROVED : SJ. OKAMURA 20210730	DRAWING NO. EDC-382874-00-00	
			CHECKED : SZ. ONO 20210730	PART NO. DF63-2022PCFA	
			DESIGNED : TS. KUMAZAWA 20210730	CODE NO. CL0680-0638-0-00	
			DRAWN : YK. MITSUISHI 20210730	1/1	