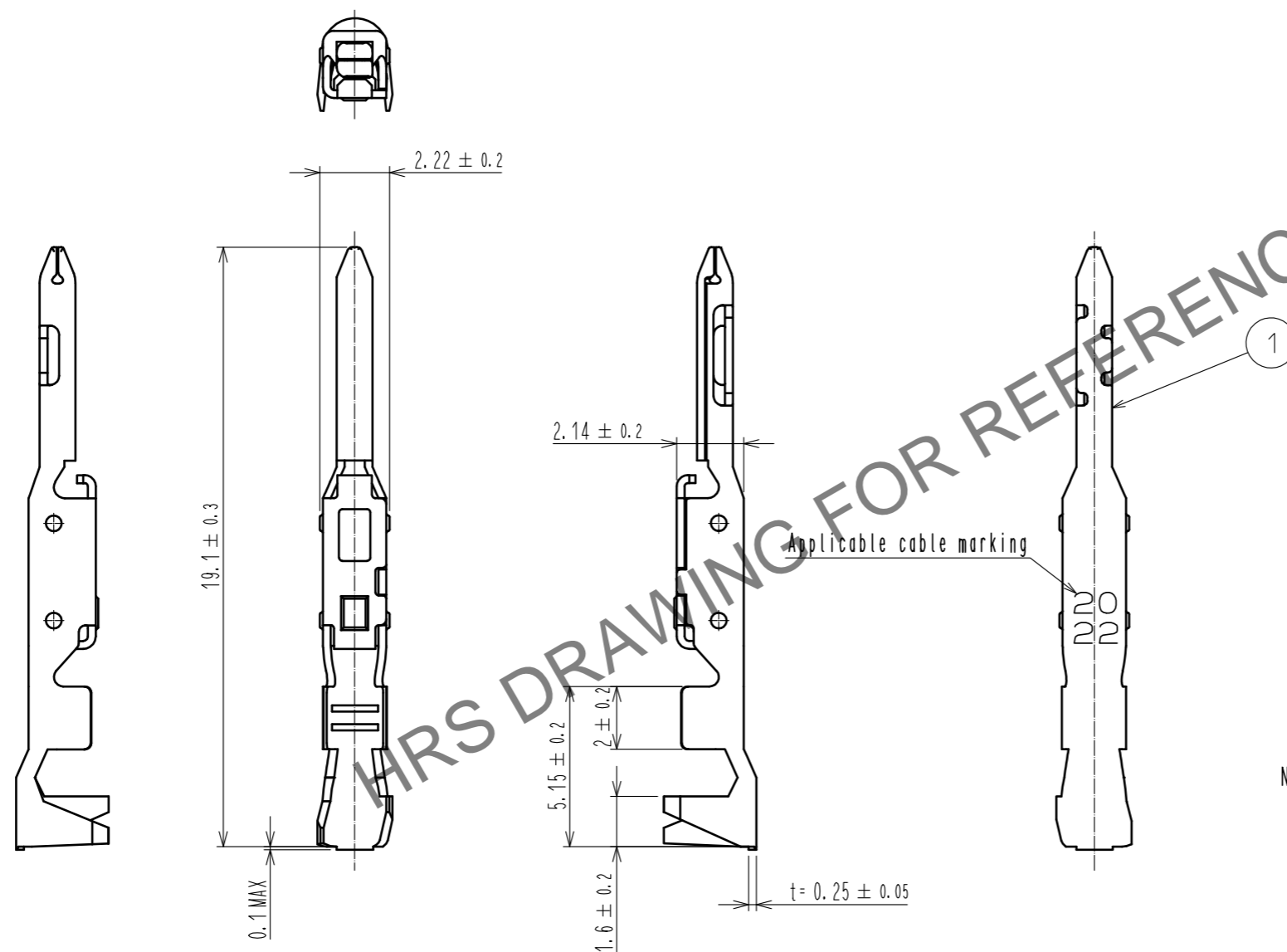


Sep.1.2024 Copyright 2024 HIROSE ELECTRIC CO., LTD. All Rights Reserved.
In case of consideration for using Automotive equipment / device which demand high reliability, kindly contact our sales window correspondents.



- Notes 1. Per Pack : 100 Pieces.
2. UL(File No. E52653)
C-UL(File No. E52653)
TUV (Certificate No. R50244085) authorization article.



1	Copper alloy	Contact area : Gold plating 0.2μm MIN Barrel area : Tin plating 1μm MIN Others : Nickel plating 1μm MIN
---	--------------	---

NO.	MATERIAL	FINISH . REMARKS	NO.	MATERIAL	FINISH . REMARKS
UNITS mm		SCALE 5 : 1	COUNT 	DESCRIPTION OF REVISIONS	
HIROSE ELECTRIC CO., LTD.			APPROVED : SJ. OKAMURA 20210730	DRAWING NO. EDC-382875-00-00	
			CHECKED : SZ. ONO 20210730	PART NO. DF63-2022PCA	
			DESIGNED : TS. KUMAZAWA 20210730	CODE NO. CL0680-0639-0-00	
			DRAWN : YK. MITSUISHI 20210730	1/1	