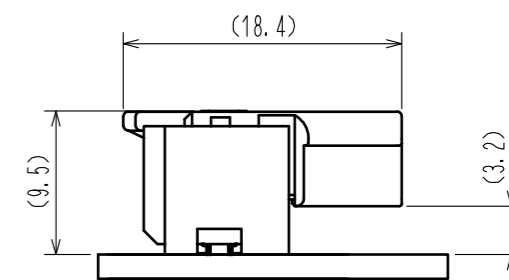
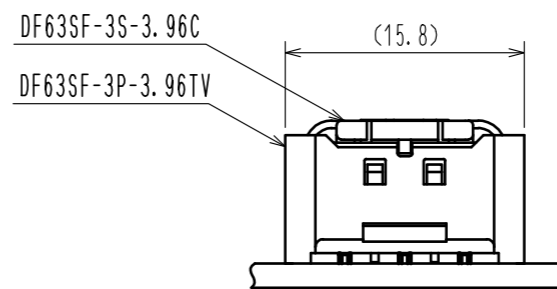
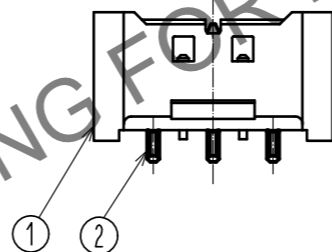
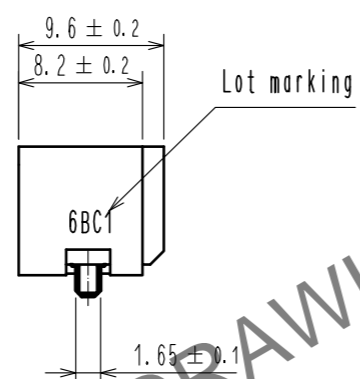
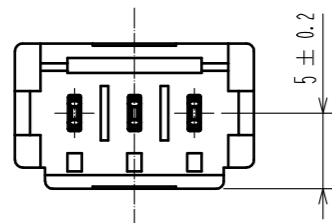
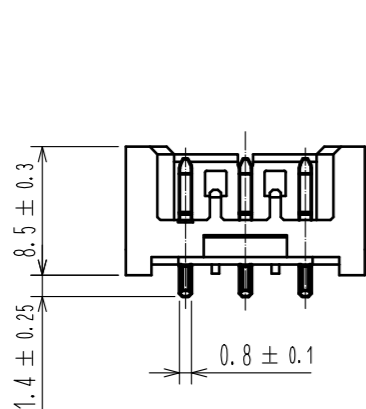
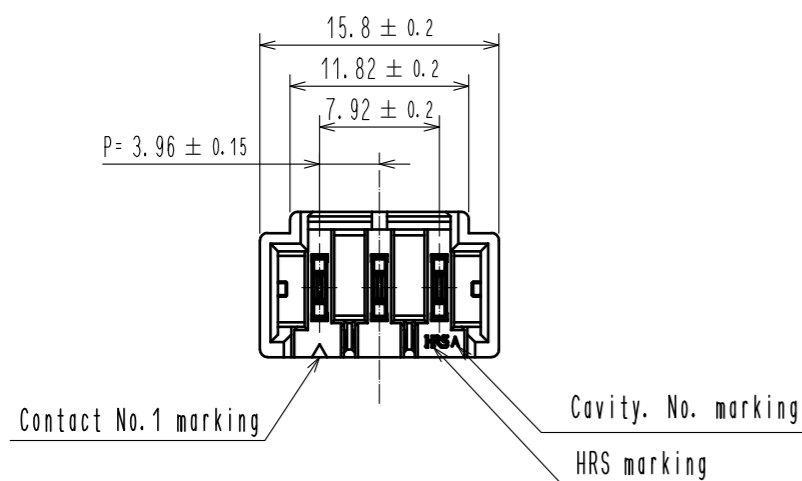
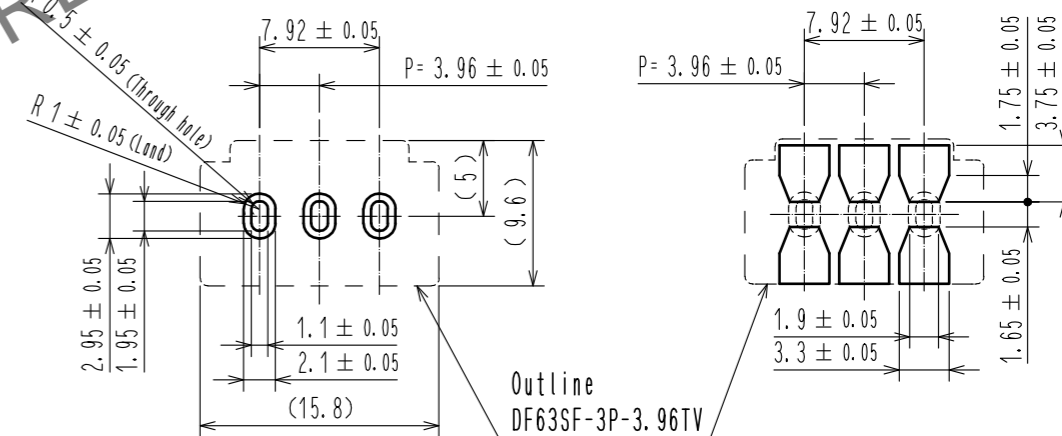


Sep.1.2024 Copyright 2024 HIROSE ELECTRIC CO., LTD. All Rights Reserved.  
In case of consideration for using Automotive equipment / device which demand high reliability, kindly contact our sales window correspondents.



Recommended Pattern  
Recommended Board Thickness (t=1.6mm)

Recommended metal mask  
(Thickness : 0.15mm)



- Note 1. 1 reel : 450 connectors  
 2. The dimensions in parentheses are for reference.  
 3. Reel to JIS C 0806. (Packaging of components for automatic handling)  
 4. The dimensions are Vacuum area  
 5. UL (File No. E52653)  
 C-UL (File No. E52653)  
 TÜV (Certificate No. R50372836)  
 authorization article.



3	PA	UL94V-0(BLACK)	6	PS	Reel . Black		
2	Copper alloy	Contact area : Gold plating 0.76 μm MIN Contact end : Gold plating 0.05 μm MIN Lead area : Gold plating 0.05 μm MIN Under plating : Nickel plating 1.27 μm MIN	5	Polyester	Clear [Cover tape]		
1	LCP	UL94V-0(BLACK)	4	PS	Clear [Embossed carrier tape]		
NO.	MATERIAL	FINISH . REMARKS	NO.	MATERIAL	FINISH . REMARKS		
UNITS mm		SCALE 2 : 1	COUNT 2	DESCRIPTION OF REVISIONS DIS-H-00006191	DESIGNED TS.MIYAKI	CHECKED SZ.ONO	DATE 20200803
APPROVED : HS. OKAWA		20161209		DRAWING NO. EDC-367034-52-01			
CHECKED : YN. TAKASHITA		20161208		PART NO. DF63SF-3P-3.96TV(52)			
DESIGNED : SANGMUK. LIM		20161208		CODE NO. CL680-0701-0-52			
DRAWN : SANGMUK. LIM		20161208		1/2			

Sep.1.2024 Copyright 2024 HIROSE ELECTRIC CO., LTD. All Rights Reserved.  
In case of consideration for using Automotive equipment / device which demand high reliability, kindly contact our sales window correspondents.

