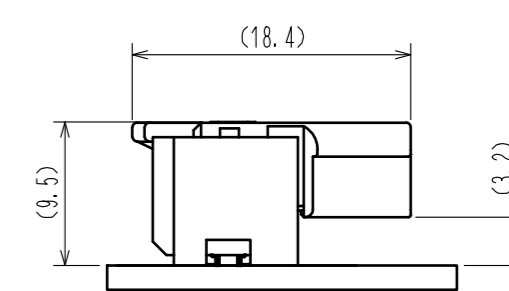
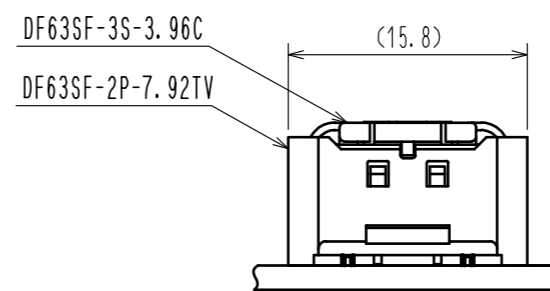
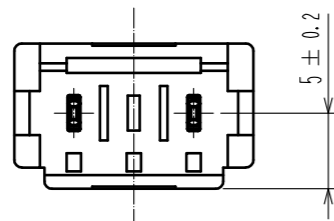
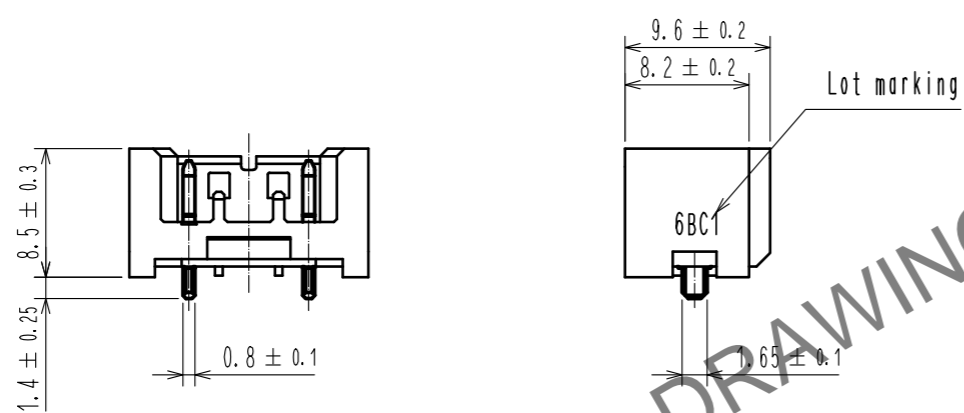
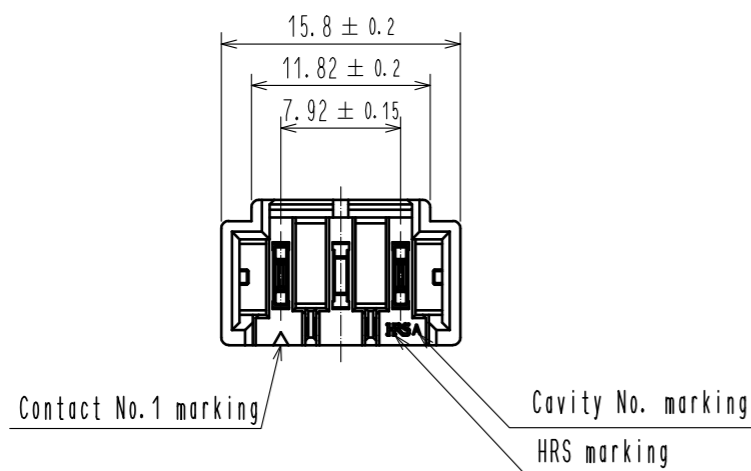
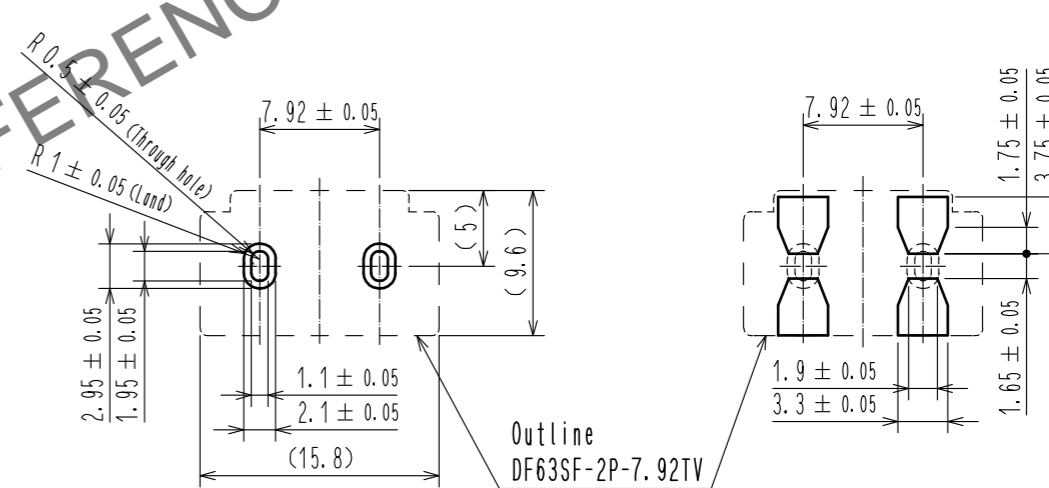


Sep.1.2024 Copyright 2024 HIROSE ELECTRIC CO., LTD. All Rights Reserved.
In case of consideration for using Automotive equipment / device which demand high reliability, kindly contact our sales window correspondents.



Recommended Pattern
Recommended Board Thickness (t=1.6mm)

Recommended metal mask
(Thickness : 0.15mm)

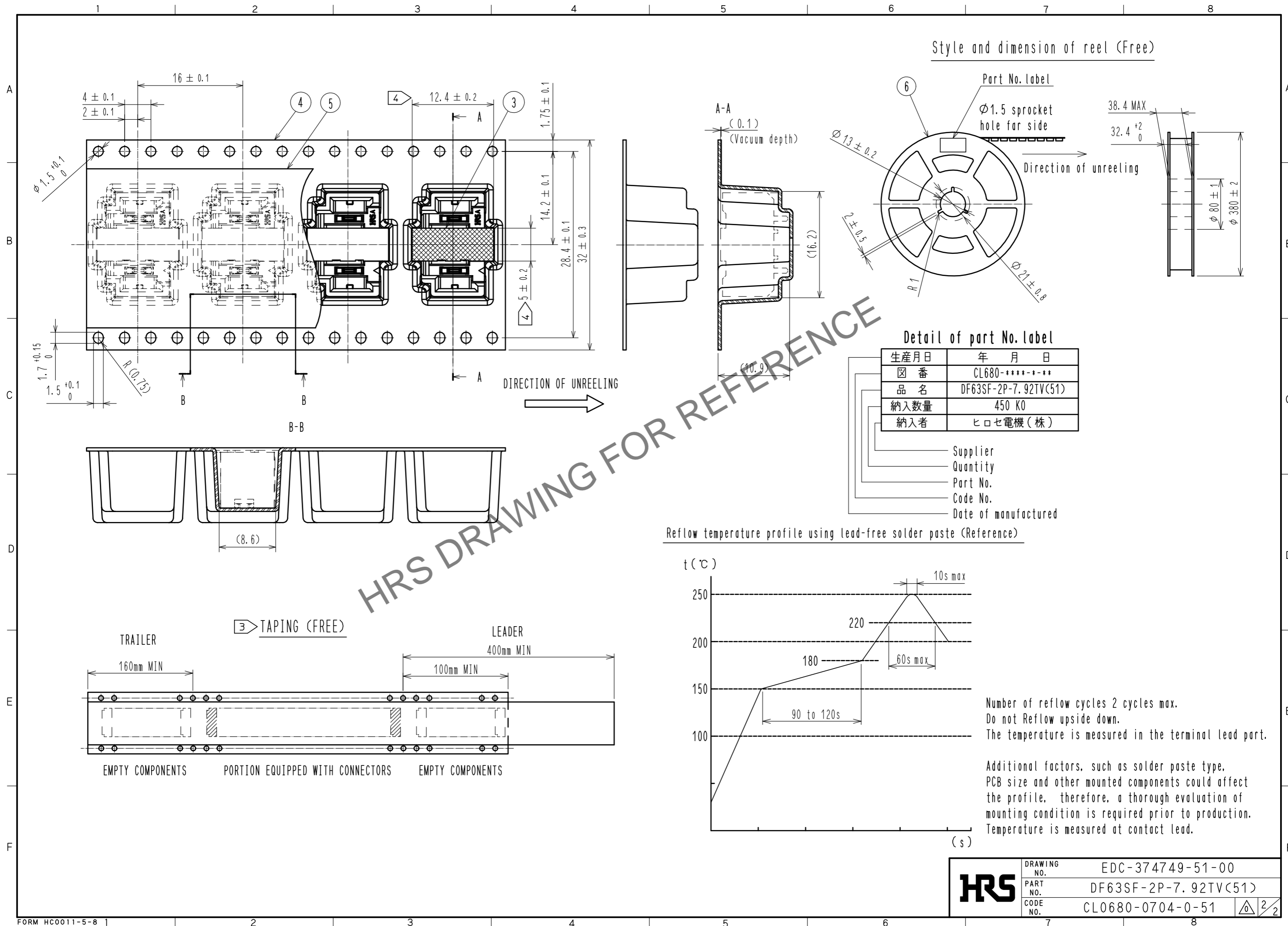


- Note 1. 1 reel : 450 connectors
 2. The dimensions in parentheses are for reference.
 3. Reel to JIS C 0806. (Packaging of components for automatic handling)
 4. The dimensions are Vacuum area
 5. UL (File No. E52653)
 C-UL (File No. E52653)
 TÜV (Certificate No. R50372836)
 authorization article.



3	PA	UL94V-0(BLACK)	6	PS	Reel . Black
2	Copper alloy	Contact area : Gold plating 0.2 μm MIN Contact end : Gold plating 0.05 μm MIN Lead area : Gold plating 0.05 μm MIN Under plating : Nickel plating 1.27 μm MIN	5	Polyester	Clear [Cover tape]
			4	PS	Clear [Embossed carrier tape]
1	LCP	UL94V-0(BLACK)			
NO.	MATERIAL	FINISH . REMARKS	NO.	MATERIAL	FINISH . REMARKS
UNITS mm		SCALE 2 : 1	COUNT	DESCRIPTION OF REVISIONS	
		DESIGNED	CHECKED	DATE	
		APPROVED : SJ. OKAMURA	20210623	DRAWING NO. EDC-374749-51-00	
		CHECKED : SZ. ONO	20210623	PART NO. DF63SF-2P-7.92TV(51)	
		DESIGNED : TS. KUMAZAWA	20210623	CODE NO. CL0680-0704-0-51	
		DRAWN : TS. KUMAZAWA	20210623	1/2	

Sep.1.2024 Copyright 2024 HIROSE ELECTRIC CO., LTD. All Rights Reserved.
In case of consideration for using Automotive equipment / device which demand high reliability, kindly contact our sales window correspondents.



HRS	DRAWING NO.	EDC-374749-51-00
	PART NO.	DF63SF-2P-7.92TV(51)
	CODE NO.	CL0680-0704-0-51
		2/2