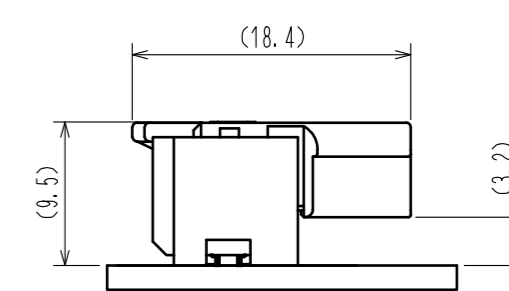
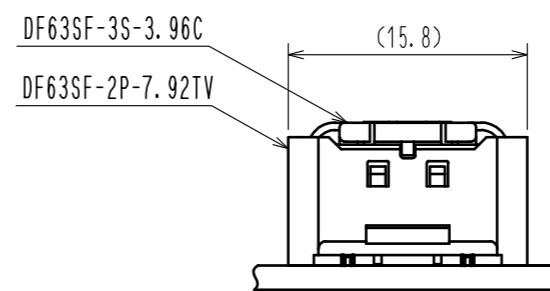
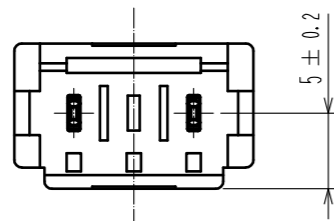
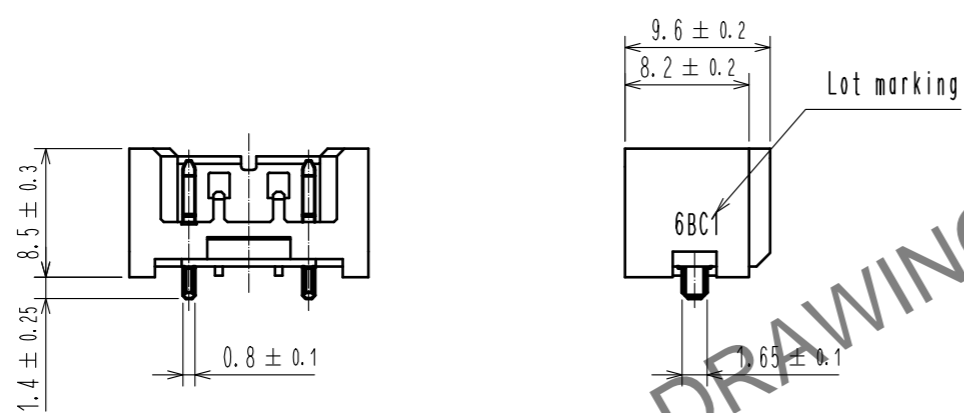
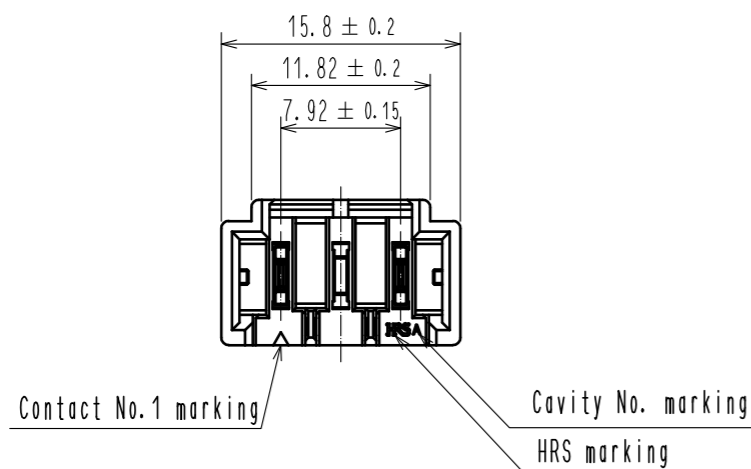
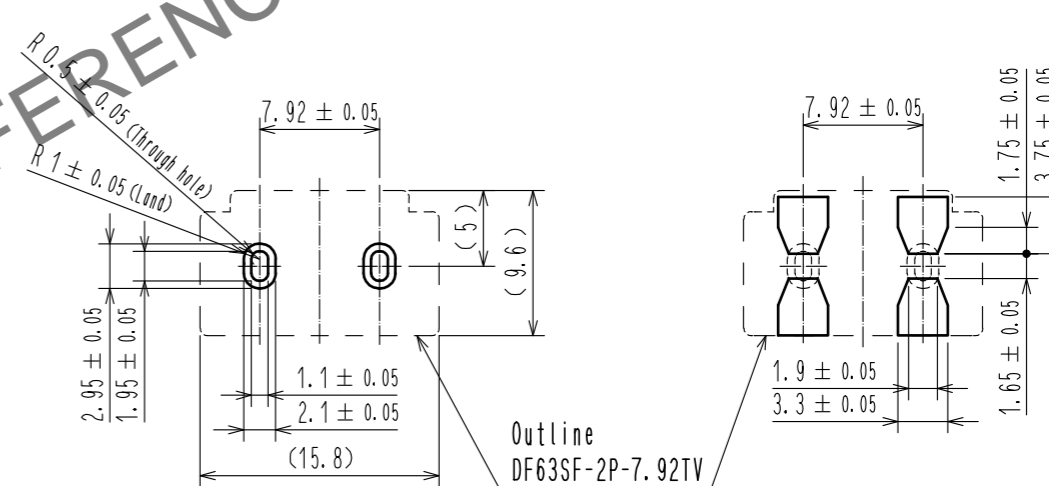


Sep.1.2024 Copyright 2024 HIROSE ELECTRIC CO., LTD. All Rights Reserved.
In case of consideration for using Automotive equipment / device which demand high reliability, kindly contact our sales window correspondents.



Recommended Pattern
Recommended Board Thickness (t=1.6mm)

Recommended metal mask
(Thickness : 0.15mm)

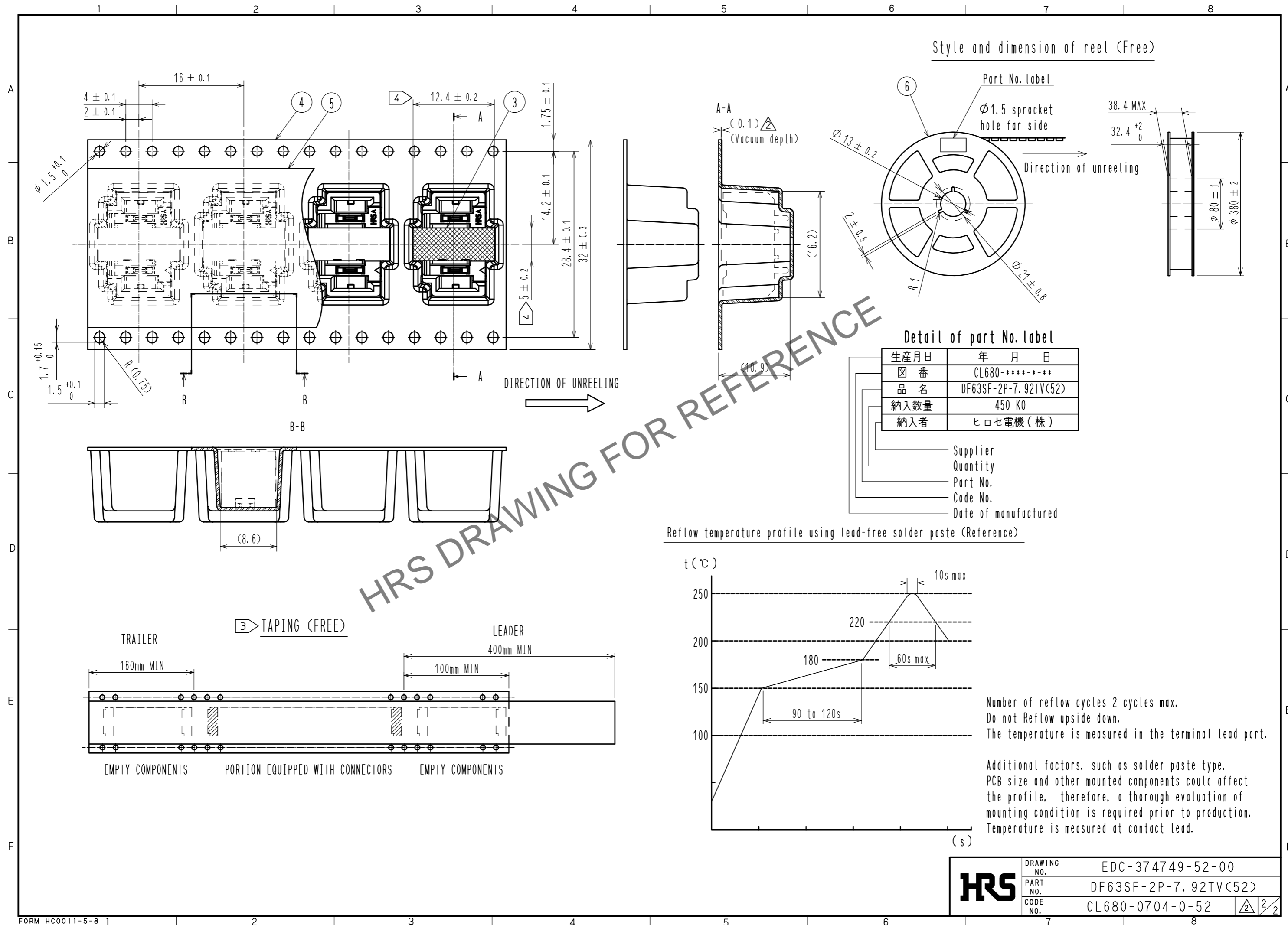


- Note 1. 1 reel : 450 connectors
 2. The dimensions in parentheses are for reference.
 3. Reel to JIS C 0806. (Packaging of components for automatic handling)
 4. The dimensions are Vacuum area
 5. UL (File No. E52653)
 C-UL (File No. E52653)
 TÜV (Certificate No. R50372836)
 authorization article.



3	PA	UL94V-0(BLACK)	6	PS	Reel . Black
2	Copper alloy	Contact area : Gold plating 0.76 μm MIN Contact end : Gold plating 0.05 μm MIN Lead area : Gold plating 0.05 μm MIN Under plating : Nickel plating 1.27 μm MIN	5	Polyester	Clear [Cover tape]
			4	PS	Clear [Embossed carrier tape]
			NO. MATERIAL FINISH . REMARKS		
1	LCP	UL94V-0(BLACK)			
UNITS mm		SCALE 2 : 1	COUNT 2	DESCRIPTION OF REVISIONS DIS-H-00006191	
DESIGNED TS.MIYAKI		CHECKED SZ.ONO		DATE 20200803	
APPROVED : HS. OKAWA 20170123		DRAWING NO. EDC-374749-52-00			
CHECKED : YN. TAKASHITA 20170123		PART NO. DF63SF-2P-7.92TV(52)			
DESIGNED : SANGMUK. LIM 20170123		CODE NO. CL680-0704-0-52			
DRAWN : SANGMUK. LIM 20170123					

Sep.1.2024 Copyright 2024 HIROSE ELECTRIC CO., LTD. All Rights Reserved.
 In case of consideration for using Automotive equipment / device which demand high reliability, kindly contact our sales window correspondents.



HRS	DRAWING NO.	EDC-374749-52-00
	PART NO.	DF63SF-2P-7.92TV(52)
	CODE NO.	CL680-0704-0-52
		2/2