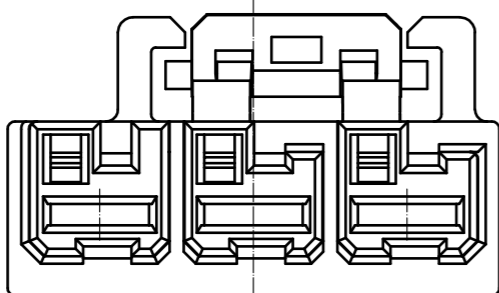
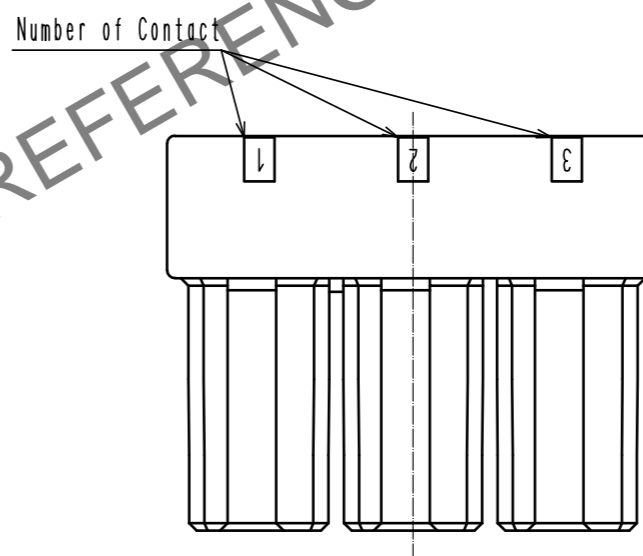
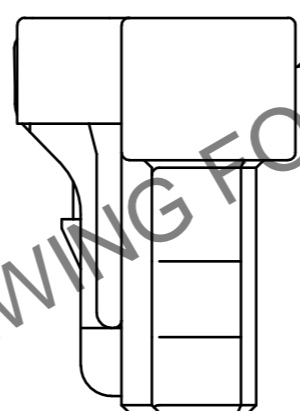
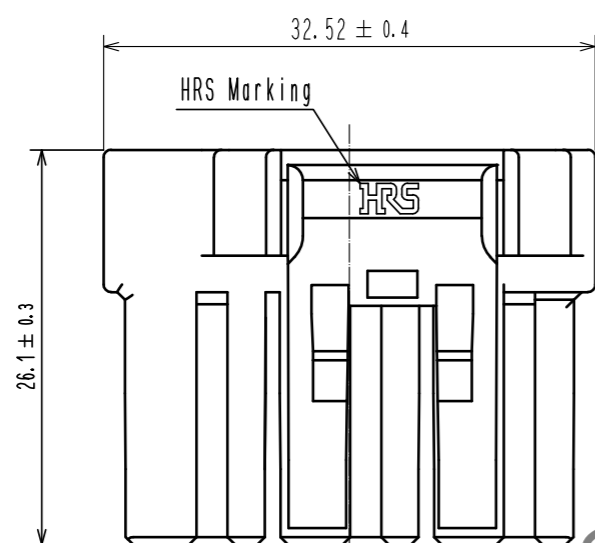
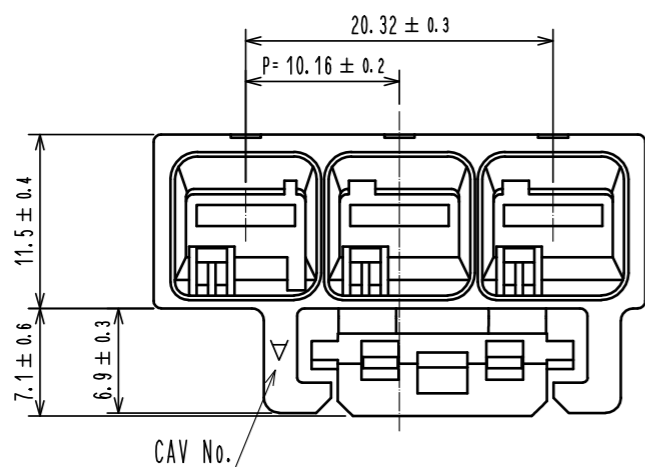


Aug.1.2024 Copyright 2024 HIROSE ELECTRIC CO., LTD. All Rights Reserved.  
 In case of consideration for using Automotive equipment / device which demand high reliability, kindly contact our sales window correspondents.



HRS DRAWING FOR REFERENCE

- NOTE1. Per Pack : 100 Pieces  
 ③ 2. Refer to the technical specification (ETAP-H1020-00) for the packing type.  
 3. UL(File No. E52653)  
 C-UL(File No. E52653)  
 TUV (Certificate No. R50400864) authorization article.



NO.		MATERIAL		FINISH . REMARKS		1	PBT	Black, UL94-V0
UNITS mm		SCALE 2 : 1		COUNT ③ 1	DESCRIPTION OF REVISIONS DIS-H-00004358	DESIGNED YK. YAMAGUCHI	CHECKED ST. WADA	DATE 20181029
HIROSE ELECTRIC CO., LTD.		APPROVED : HS. OKAWA	20171011	DRAWING NO.		EDC-379271-00-00		
		CHECED : ST. WADA	20171011	PART NO.		DF60F-3S-10.16C		
		DESIGNED : TT. OHSAKO	20171011	CODE NO.		CL680-4002-0-00		
		DRAWN : TT. OHSAKO	20171011			③ 1/1		