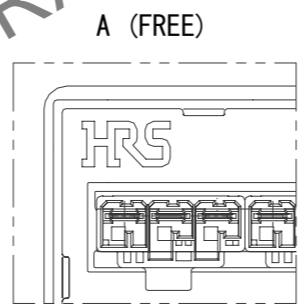
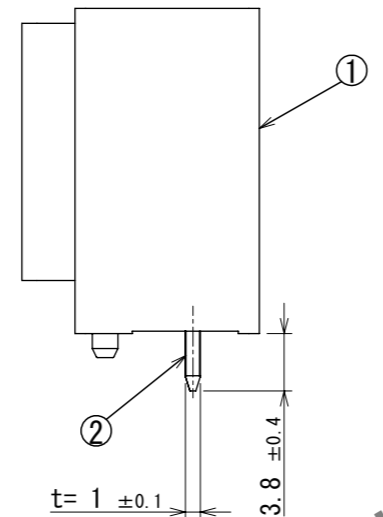
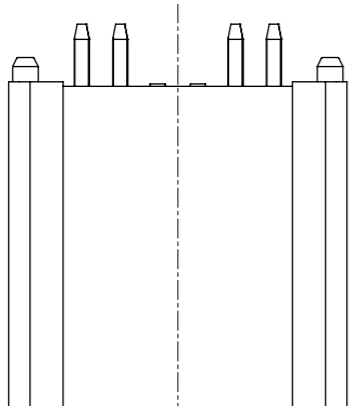
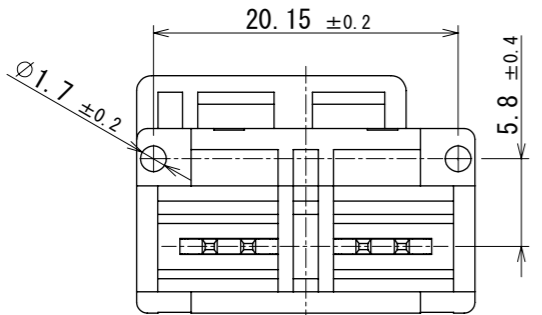
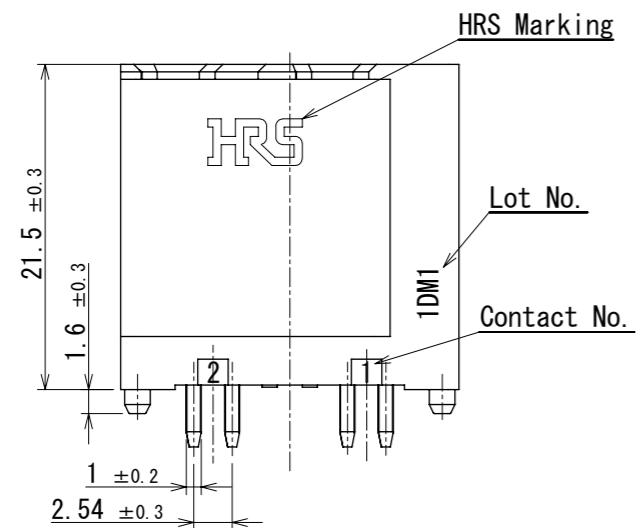
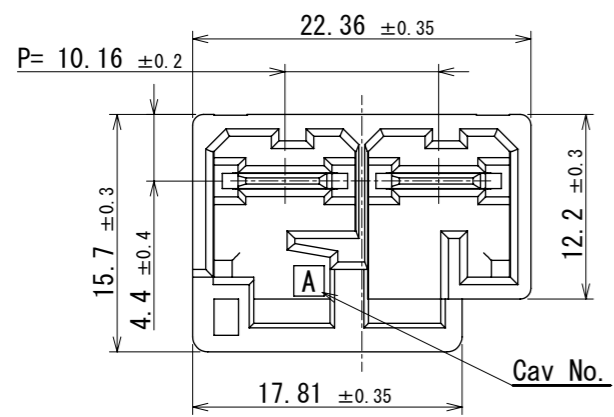
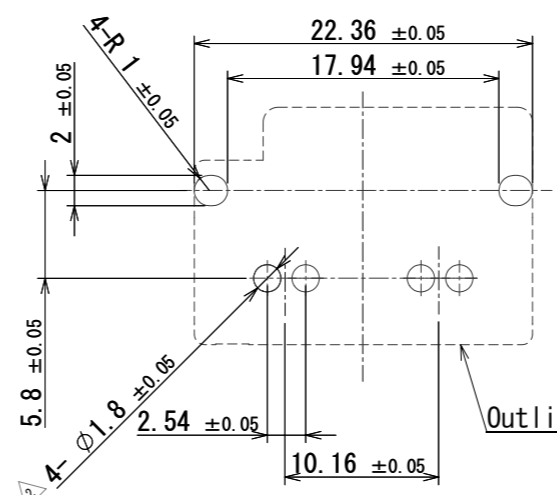


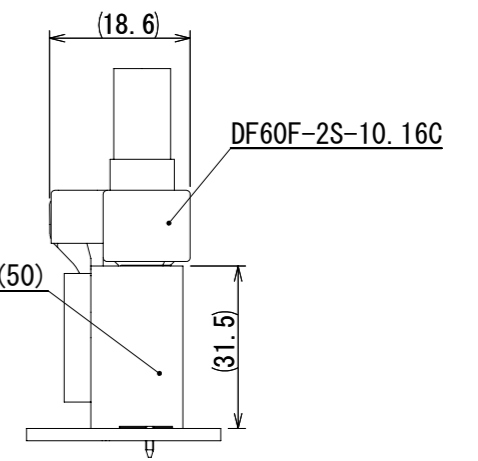
Jul.1.2024 Copyright 2024 HIROSE ELECTRIC CO., LTD. All Rights Reserved.  
 In case of consideration for using Automotive equipment / device which demand high reliability, kindly contact our sales window correspondents.



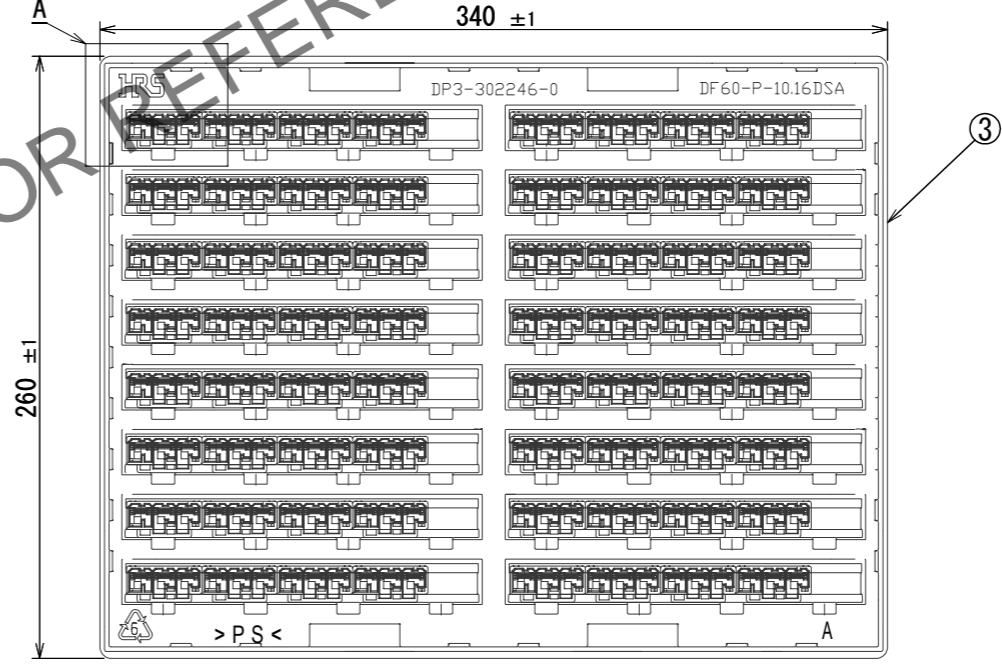
Recommended PCB Layout  
(Board thickness : t=1.6±0.1mm)



Mating Figure(1:1)



Packaging Figure (3PINs)  
(FREE)



- Note 1. 96 Pieces / Tray  
 2. Refer to the technical specification (ETAP-H0816-00) for the packaging type.  
 3. Refer to the technical specification (ETAP-H0654-00) in handling this product.  
 4. UL (File No. E52653)  
 C-UL (File No. E52653)  
 TÜV (Certificate No. R50400864) authorization article.



1	PBT	BLACK, UL94-V0	3	PS	White
2	Copper Alloy		2	Copper Alloy	Contact area : Au plating 0.2µmMIN Lead area : Sn plating 1µmMIN Under plating : Ni plating 1µmMIN
NO.	MATERIAL	FINISH, REMARKS	NO.	MATERIAL	FINISH, REMARKS
UNITS	mm	SCALE 2:1	COUNT 1	DESCRIPTION OF REVISIONS	DESIGNED TS. KUMAZAWA
					CHECKED SZ. ONO
					DATE 2024.04.04
APPROVED : SJ. OKAMURA		2022.08.04	DRAWING NO. EDC-386586-50-00		
CHECKED : TT. OHSAKO		2022.08.04	PART NO. DF60F-2P-10.16DSA (50)		
DESIGNED : SN. MIWA		2022.08.02	CODE NO. CL0680-4007-0-50		
DRAWN : SN. MIWA		2022.08.02			

