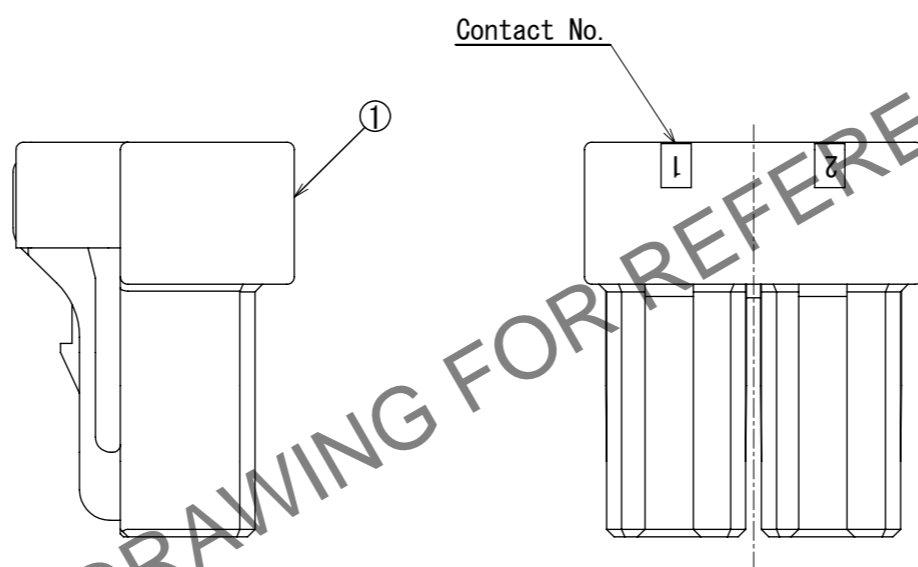
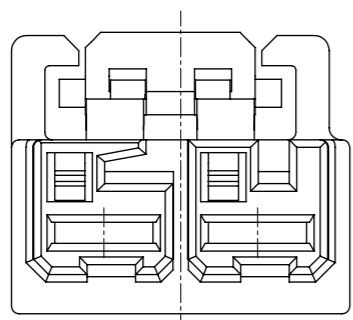
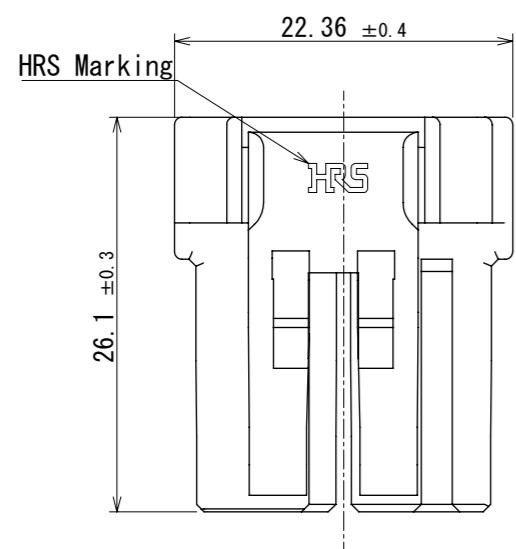
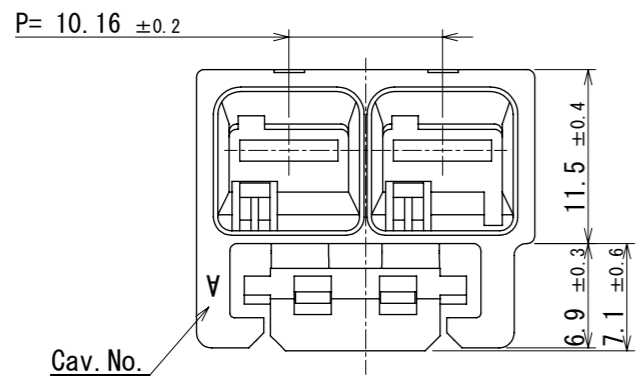


Aug.1.2024 Copyright 2024 HIROSE ELECTRIC CO., LTD. All Rights Reserved.  
 In case of consideration for using Automotive equipment / device which demand high reliability, kindly contact our sales window correspondents.



HRS DRAWING FOR REFERENCE

- Note 1. 100 Pieces / Pack  
 2. Refer to the technical specification (ETAP-H1020-00) for the packaging type.  
 3. Refer to the technical specification (ETAD-H0654-00, ETAD-H0653-00) in handling this product.  
 ⚠ 4. UL (File No. E52653)  
 C-UL (File No. E52653)  
 TÜV (Certificate No. R50400864) authorization article.



1	PBT	Black, UL94-V0
NO.	MATERIAL	FINISH , REMARKS

UNITS mm		SCALE 2:1	COUNT 1	DESCRIPTION OF REVISIONS DIS-H-00018505	DESIGNED TS. KUMAZAWA	CHECKED SZ. ONO	DATE 2023. 06. 16
HIROSE ELECTRIC CO., LTD.		APPROVED : SJ. OKAMURA	2022. 08. 04	DRAWING NO. EDC-386587-00-00			
		CHECKED : TT. OHSAKO	2022. 08. 04	PART NO. DF60F-2S-10. 16C			
		DESIGNED : SN. MIWA	2022. 08. 02	CODE NO. CL0680-4008-0-00			
		DRAWN : SN. MIWA	2022. 08. 02			1/1	