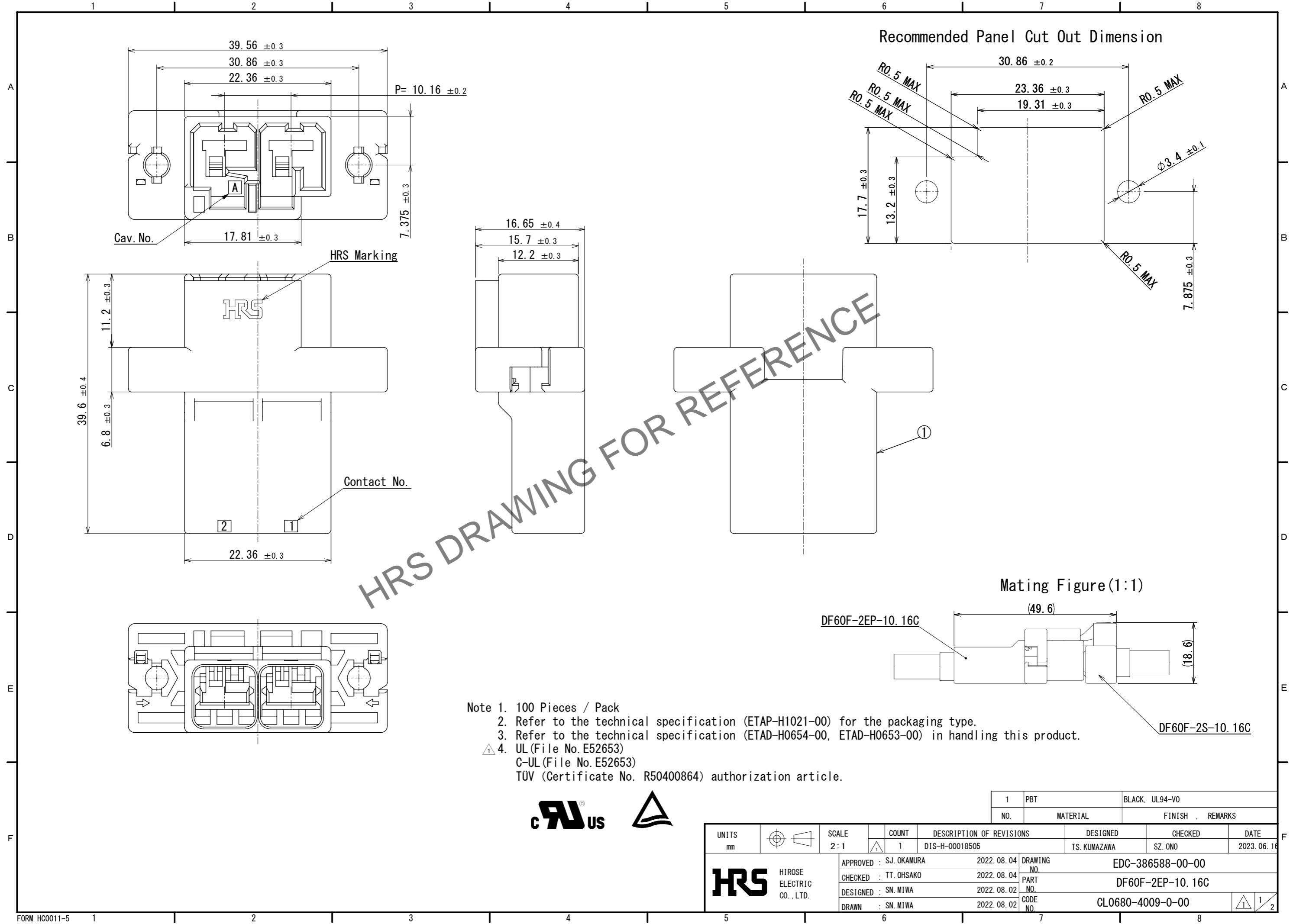


Aug.1.2024 Copyright 2024 HIROSE ELECTRIC CO., LTD. All Rights Reserved.  
 In case of consideration for using Automotive equipment / device which demand high reliability, kindly contact our sales window correspondents.



HRS DRAWING FOR REFERENCE

- Note 1. 100 Pieces / Pack  
 2. Refer to the technical specification (ETAP-H1021-00) for the packaging type.  
 3. Refer to the technical specification (ETAD-H0654-00, ETAD-H0653-00) in handling this product.  
 △ 4. UL (File No. E52653)  
 C-UL (File No. E52653)  
 TÜV (Certificate No. R50400864) authorization article.



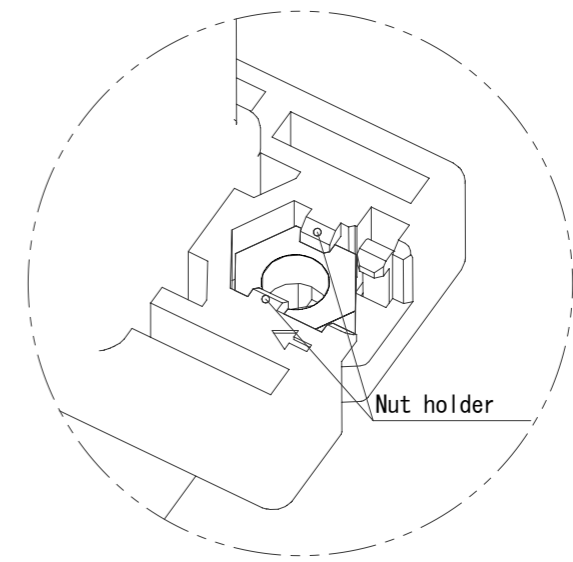
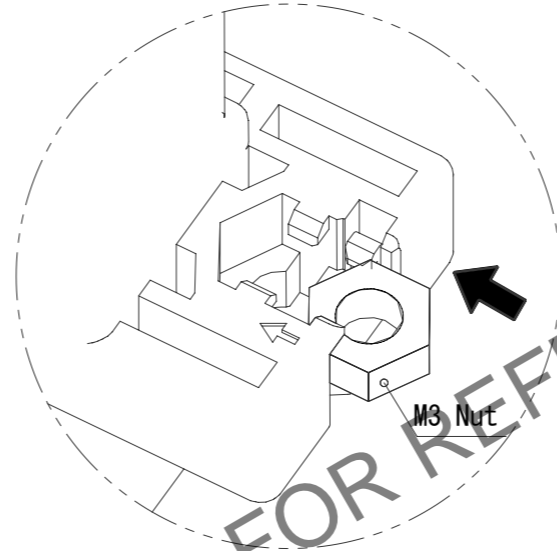
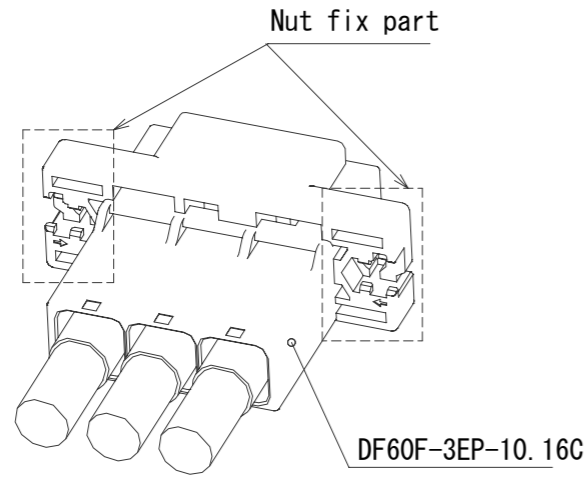
UNITS mm	SCALE 2:1	COUNT 1	DESCRIPTION OF REVISIONS DIS-H-00018505	DESIGNED TS. KUMAZAWA	CHECKED SZ. ONO	DATE 2023.06.16
				1	PBT	BLACK, UL94-V0
APPROVED : SJ. OKAMURA 2022.08.04			DRAWING NO. EDC-386588-00-00			
CHECKED : TT. OHSAKO 2022.08.04			PART NO. DF60F-2EP-10.16C			
DESIGNED : SN. MIWA 2022.08.02			CODE NO. CL0680-4009-0-00			
DRAWN : SN. MIWA 2022.08.02					1/2	

# DF60F In-Line Type Recommended Panel Mounting Manual in Using Nuts

## Nut insertion process

1. Slide the nut (size:M3) to the nut fix part.

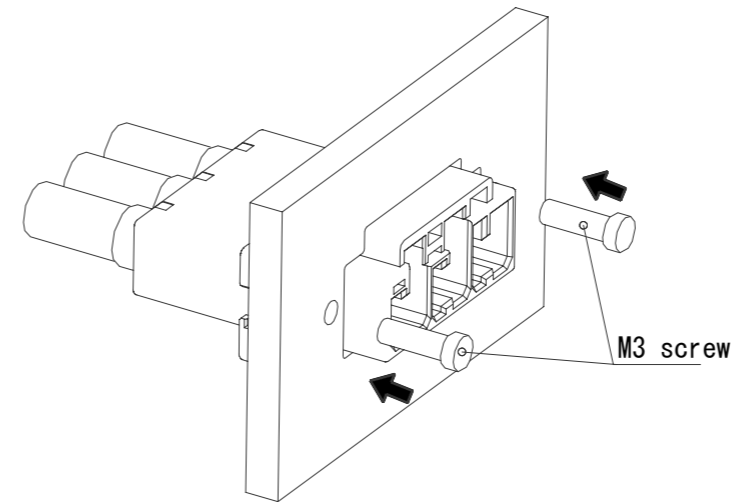
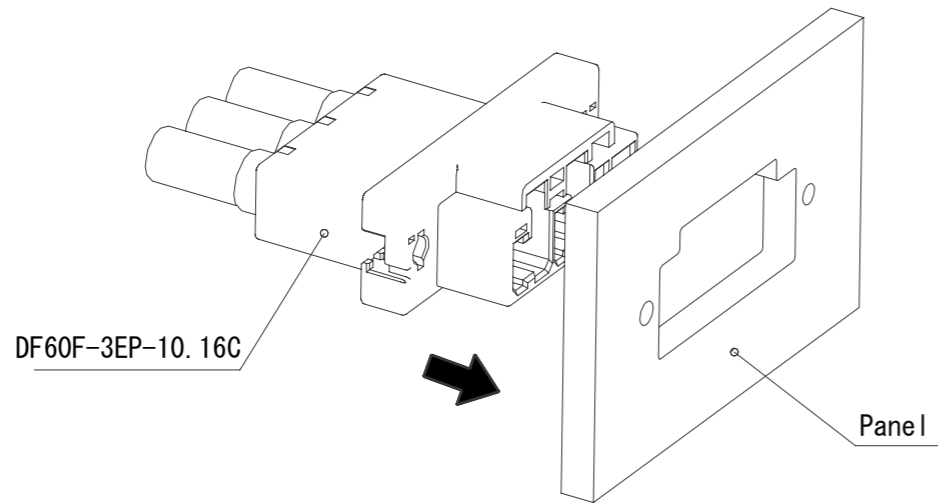
2. Press down the nut until it clicks.  
Then, this sound means that the nut has inserted into the nut holder.



## Panel mounting process

1. Insert connector into the panel cut out part.

2. Tighten a screw (size:M3) to fix with panel.  
Recommended torque : Less than 0.49N · m



HRS DRAWING FOR REFERENCE

<b>HRS</b>	DRAWING NO.	EDC-386588-00-00	2/2
	PART NO.	DF60F-2EP-10.16C	
	CODE NO.	CL0680-4009-0-00	
	NO.		

Aug.1.2024 Copyright 2024 HIROSE ELECTRIC CO., LTD. All Rights Reserved. In case of consideration for using Automotive equipment / device which demand high reliability, kindly contact our sales window correspondents.