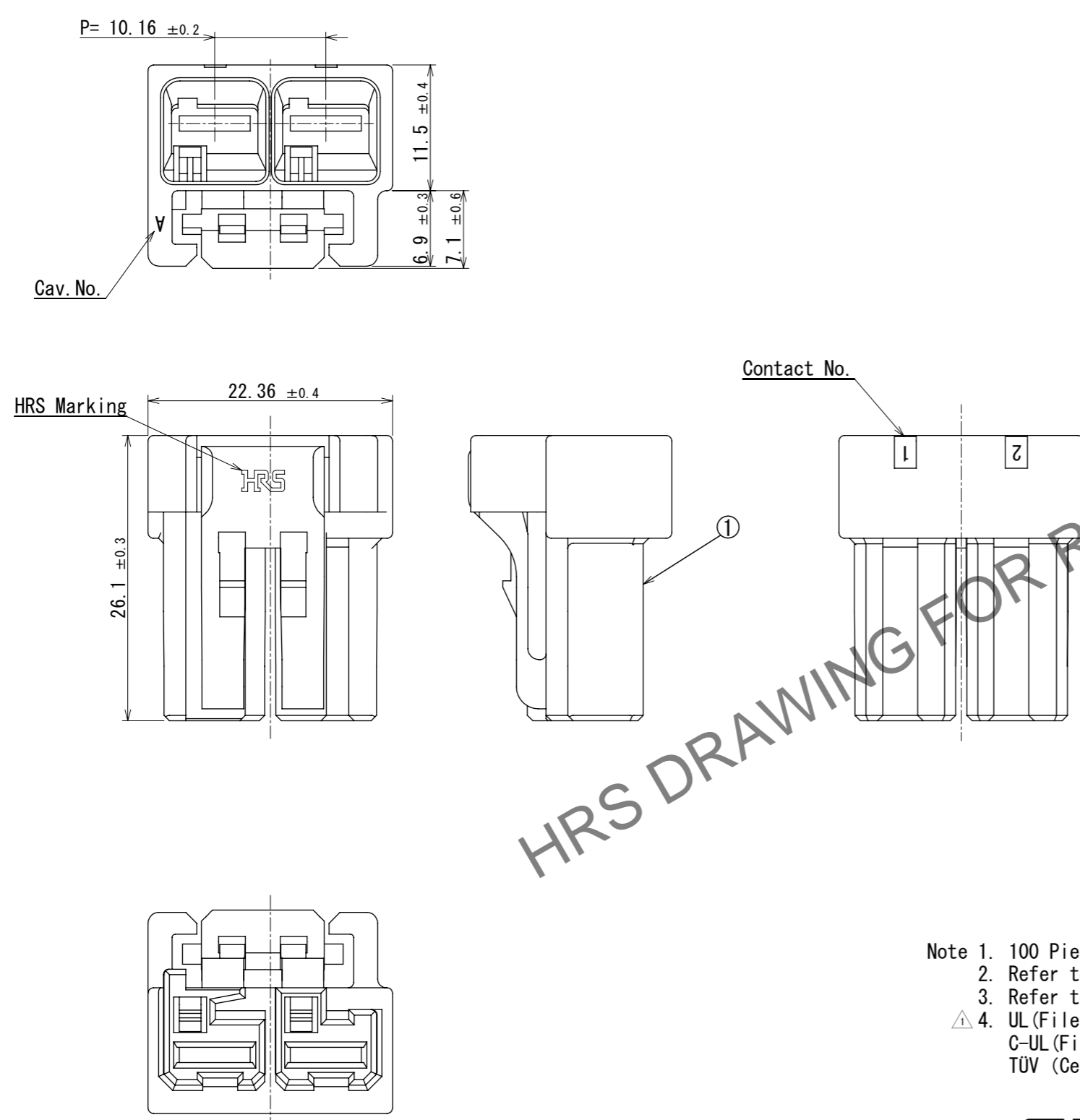


Jul.1.2024 Copyright 2024 HIROSE ELECTRIC CO., LTD. All Rights Reserved.
 In case of consideration for using Automotive equipment / device which demand high reliability, kindly contact our sales window correspondents.



- Note 1. 100 Pieces / Pack
 2. Refer to the technical specification (ETAP-H1020-00) for the packaging type.
 3. Refer to the technical specification (ETAD-H0654-00, ETAD-H0653-00) in handling this product.
 ⚠ 4. UL (File No. E52653)
 C-UL (File No. E52653)
 TÜV (Certificate No. R50400864) authorization article.



UNITS mm		SCALE 2:1		COUNT 1	DESCRIPTION OF REVISIONS DIS-H-00018505	DESIGNED TS. KUMAZAWA	CHECKED SZ. ONO	DATE 2023. 06. 16
APPROVED : SJ. OKAMURA 2022. 08. 04		DRAWING NO. EDC-386590-00-00		DESIGNED : SN. MIWA 2022. 08. 02		CHECKED : TT. OHSAKO 2022. 08. 04		DATE
HRS HIROSE ELECTRIC CO., LTD.		PART NO. DF60FR-2S-10.16C		DRAWN : SN. MIWA 2022. 08. 02		CODE NO. CL0680-4011-0-00		REVISIONS
								1/1