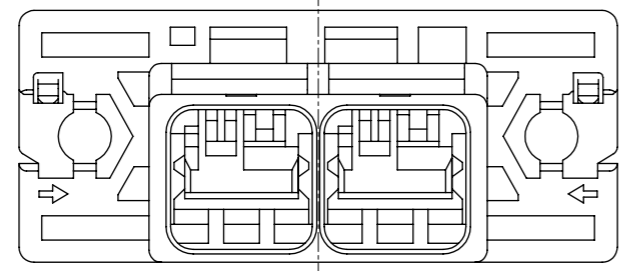
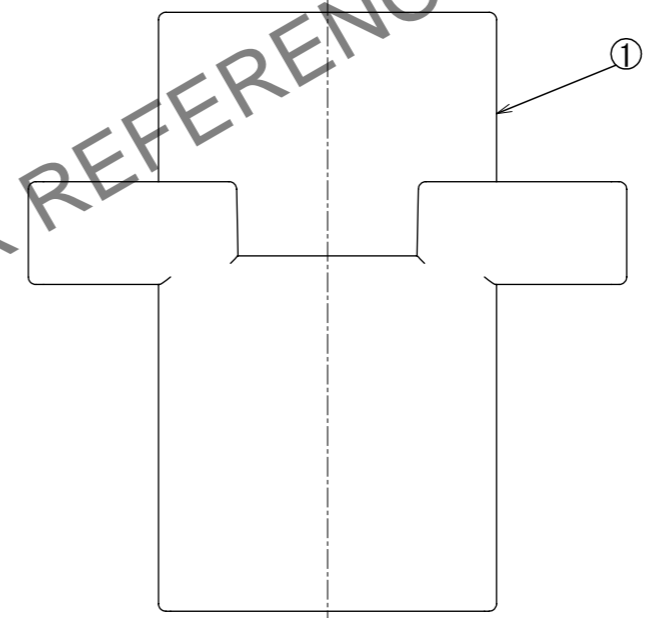
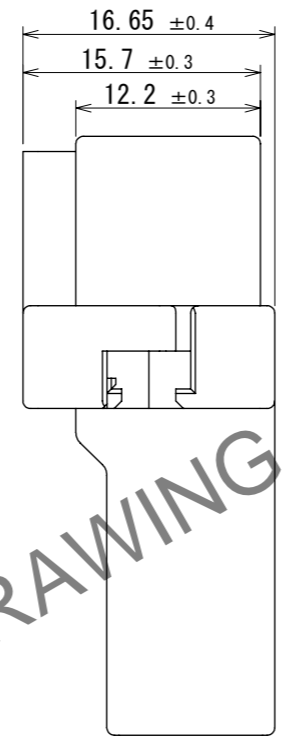
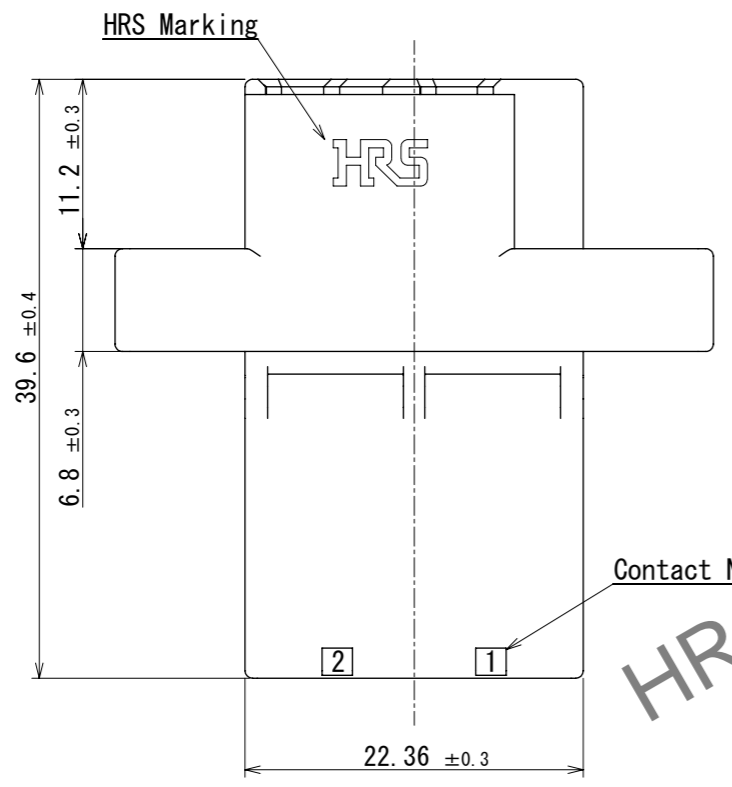
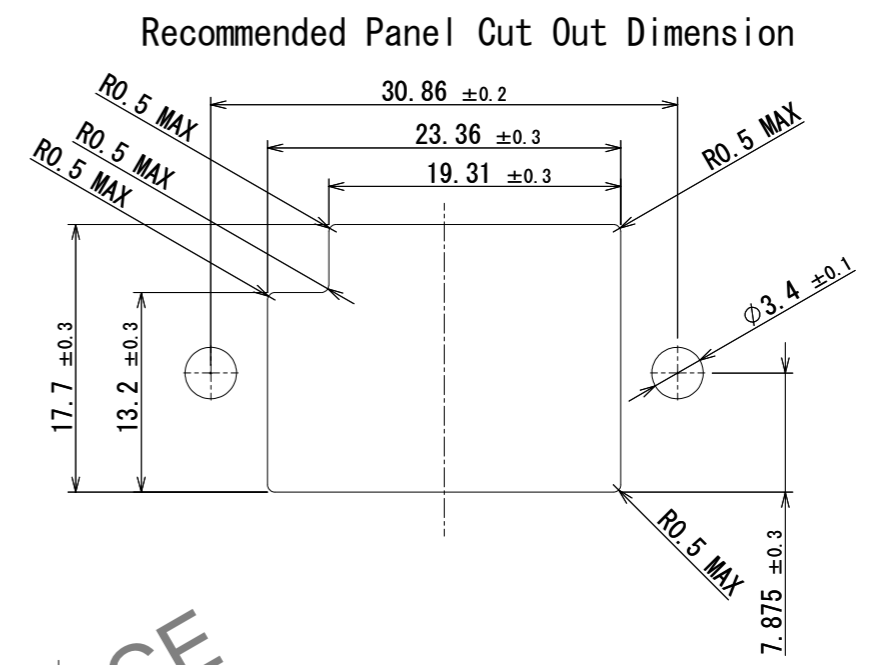
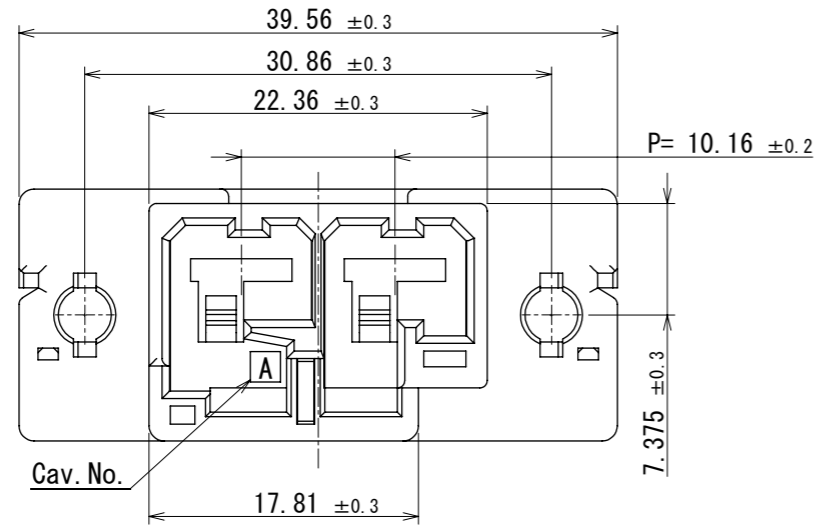


Jul.1.2024 Copyright 2024 HIROSE ELECTRIC CO., LTD. All Rights Reserved.  
In case of consideration for using Automotive equipment / device which demand high reliability, kindly contact our sales window correspondents.



- Note 1. 100 Pieces / Pack  
 2. Refer to the technical specification (ETAP-H1021-00) for the packaging type.  
 3. Refer to the technical specification (ETAD-H0654-00, ETAD-H0653-00) in handling this product.  
 △ 4. UL (File No. E52653)  
 C-UL (File No. E52653)  
 TÜV (Certificate No. R50400864) authorization article.



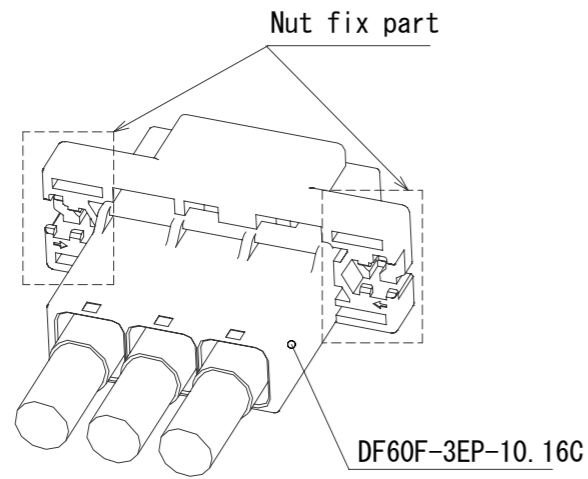
UNITS	SCALE	COUNT	DESCRIPTION OF REVISIONS	DESIGNED	CHECKED	DATE
mm	2:1	1	DIS-H-00018505	TS. KUMAZAWA	SZ. ONO	2023. 06. 16
APPROVED : SJ. OKAMURA 2022. 08. 04			DRAWING NO.		EDC-386591-00-00	
CHECKED : TT. OHSAKO 2022. 08. 04			PART NO.		DF60FR-2EP-10. 16C	
DESIGNED : SN. MIWA 2022. 08. 02			CODE NO.		CL0680-4012-0-00	
DRAWN : SN. MIWA 2022. 08. 02						

# DF60F In-Line Type Recommended Panel Mounting Manual in Using Nuts

## Nut insertion process

1. Slide the nut (size:M3) to the nut fix part.

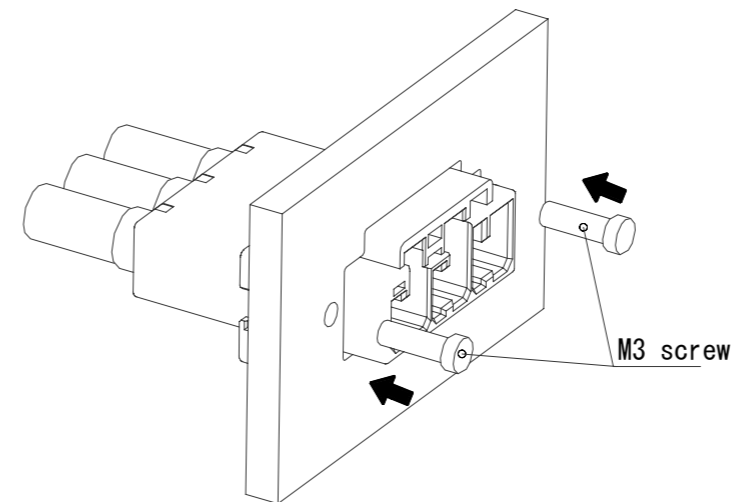
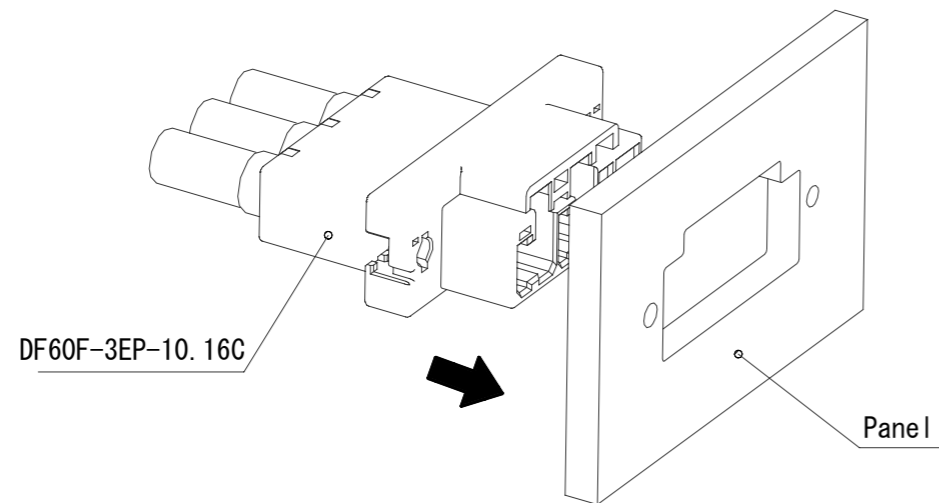
2. Press down the nut until it clicks.  
Then, this sound means that the nut has inserted into the nut holder.



## Panel mounting process

1. Insert connector into the panel cut out part.

2. Tighten a screw (size:M3) to fix with panel.  
Recommended torque : Less than 0.49N · m



<b>HRS</b>	DRAWING NO.	EDC-386591-00-00	2/2
	PART NO.	DF60FR-2EP-10.16C	
	CODE NO.	CL0680-4012-0-00	