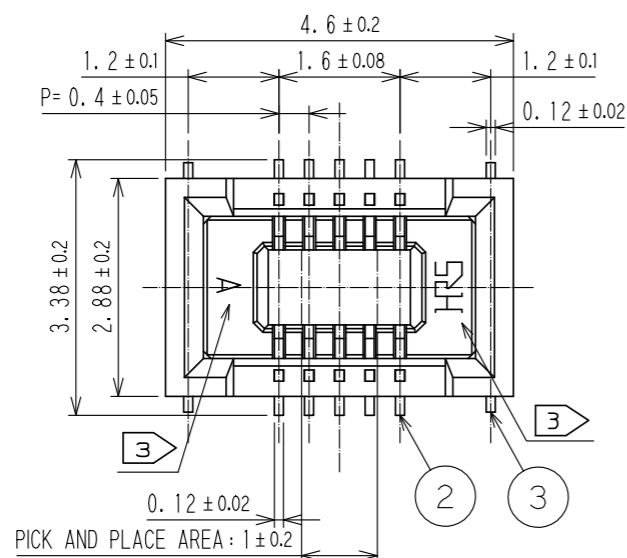
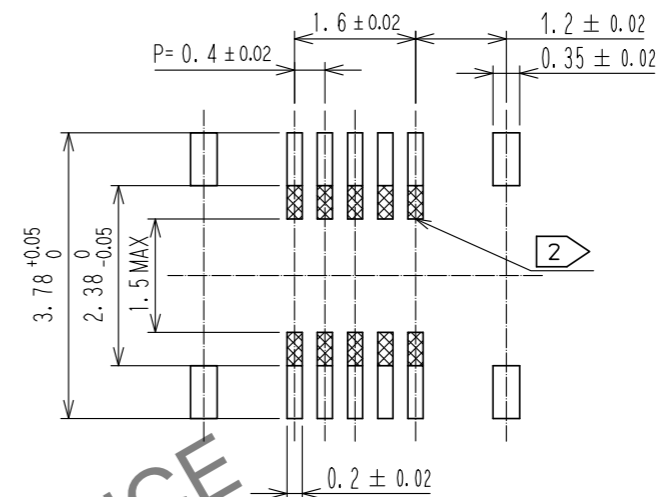


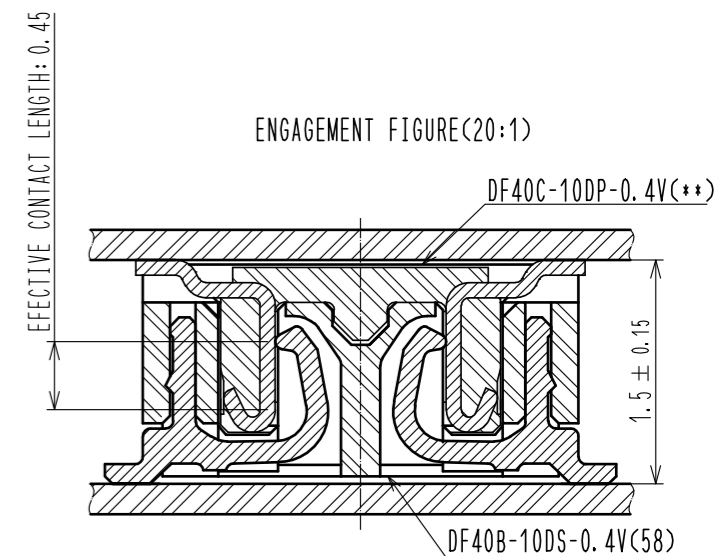
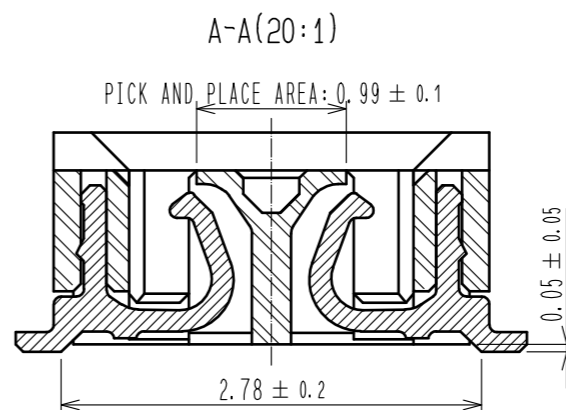
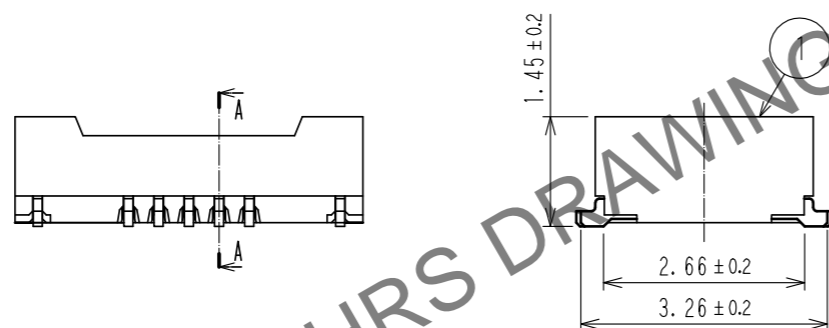
Jul.1.2024 Copyright 2024 HIROSE ELECTRIC CO., LTD. All Rights Reserved.  
In case of consideration for using Automotive equipment / device which demand high reliability, kindly contact our sales window correspondents.



RECOMMENDED PATTERN



RECOMMENDED METAL MASK THICKNESS: 120 μm  
RECOMMENDED MASK OPENING RATIO: 80% FOR LEAD PAD



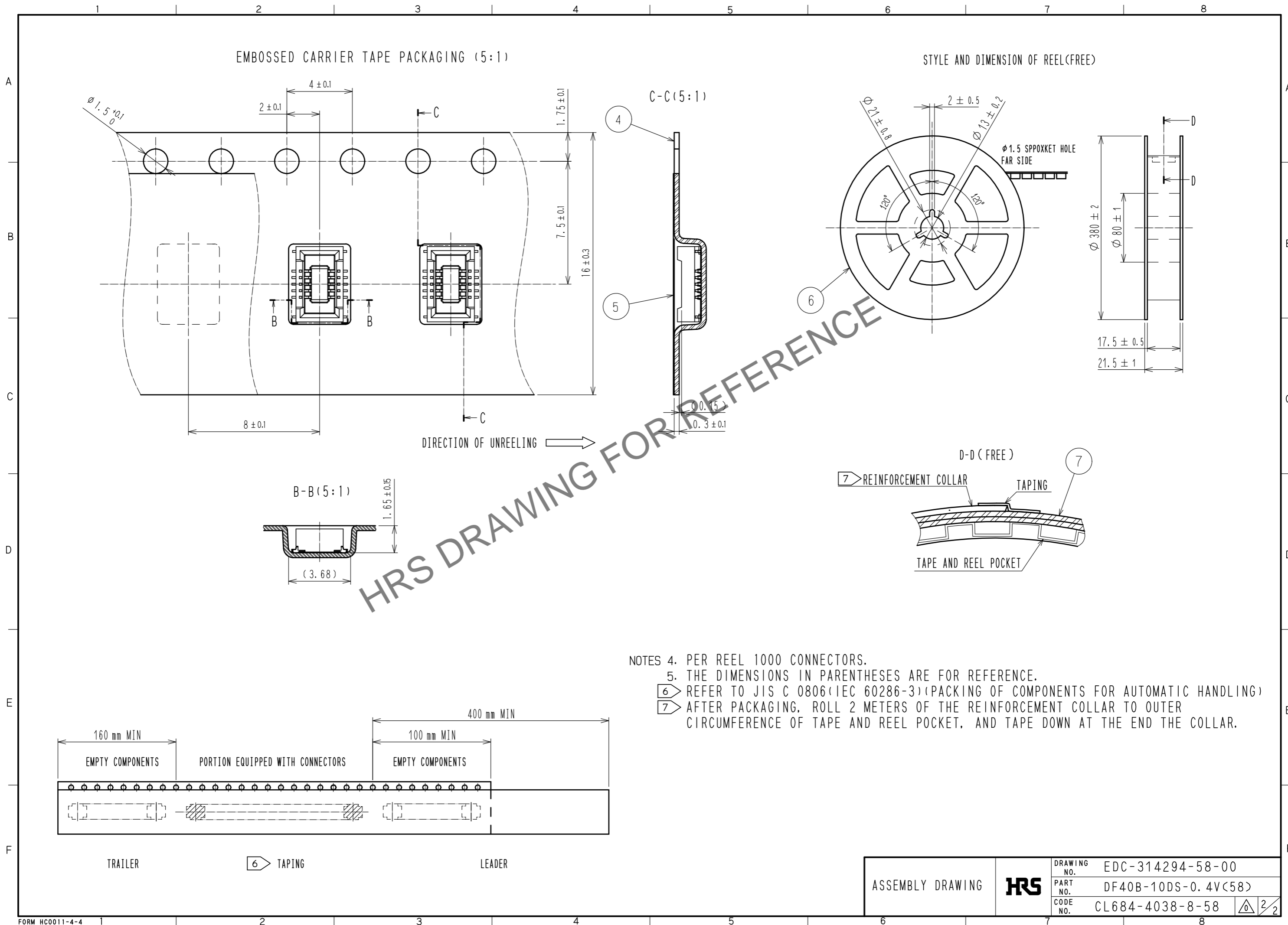
- NOTES) 1. ALL LEADS AND REINFORCED METAL FITTINGS CO-PLANARITY SHALL BE 0.1mm MAX.  
 2. IS NO PATTERN AREA OTHER THAN THE SAME CIRCUIT.  
 3. HRS MARK AND CAV NO. IS INDICATED IN APPROXIMAL POSITION SHOWN.

NO.	MATERIAL	FINISH	REMARKS	NO.	MATERIAL	FINISH	REMARKS
2	PHOSPHOR BRONZE		CONTACT AREA: GOLD 0.05 μm MIN SMT LEAD: GOLD 0.05 μm MIN UNDERPLATING: NICKEL 1 μm MIN	7	PS		CLEAR, REINFORCEMENT COLLAR
1	LCP		BLACK, UL94V-0	6	PS		BLACK
				5	POLYESTER		CLEAR, COVER TAPE
				4	PS		CLEAR, EMBOSSED CARRIER TAPE
				3	PHOSPHOR BRONZE		GOLD 0.05 μm MIN UNDERPLATING: NICKEL 1 μm MIN

TOLERANCES SEE TABLE FOR SPECIFIED, UNLESS OTHERWISE	UNITS mm	ANGULAR	COUNT	DESCRIPTION OF REVISIONS	DESIGNED	CHECKED	DATE
OVER TO TOLERANCE	SCALE ? : 1	± 1°	△				
6 ± 0.3				APPROVED : WR. FUKUCHI	20190902		DRAWING NO. EDC-314294-58-00
6 18 ± 0.5				CHECKED : TS. MIYAZAKI	20190902		PART NO. DF40B-10DS-0.4V(58)
18 50 ± 0.7				DESIGNED : RH. KAGAMI	20190902		CODE NO. CL684-4038-8-58
50 125 ± 1				DRAWN : RH. KAGAMI	20190902		

Jul.1.2024 Copyright 2024 HIROSE ELECTRIC CO., LTD. All Rights Reserved.  
 In case of consideration for using Automotive equipment / device which demand high reliability, kindly contact our sales window correspondents.



HRS DRAWING FOR REFERENCE

- NOTES
4. PER REEL 1000 CONNECTORS.
  5. THE DIMENSIONS IN PARENTHESES ARE FOR REFERENCE.
  6. REFER TO JIS C 0806 (IEC 60286-3) (PACKING OF COMPONENTS FOR AUTOMATIC HANDLING)
  7. AFTER PACKAGING, ROLL 2 METERS OF THE REINFORCEMENT COLLAR TO OUTER CIRCUMFERENCE OF TAPE AND REEL POCKET, AND TAPE DOWN AT THE END THE COLLAR.

ASSEMBLY DRAWING	<b>HRS</b>	DRAWING NO.	EDC-314294-58-00
		PART NO.	DF40B-10DS-0.4V(58)
		CODE NO.	CL684-4038-8-58
		2/2	