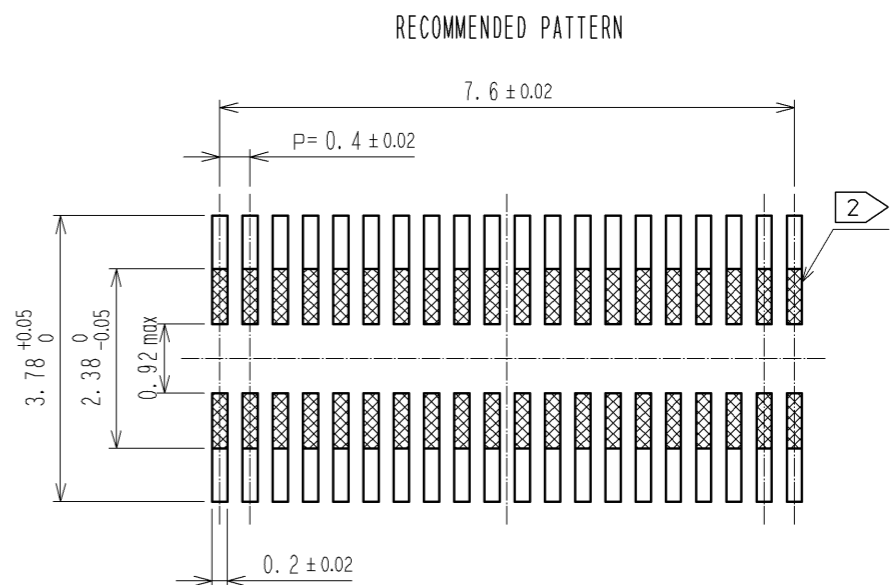
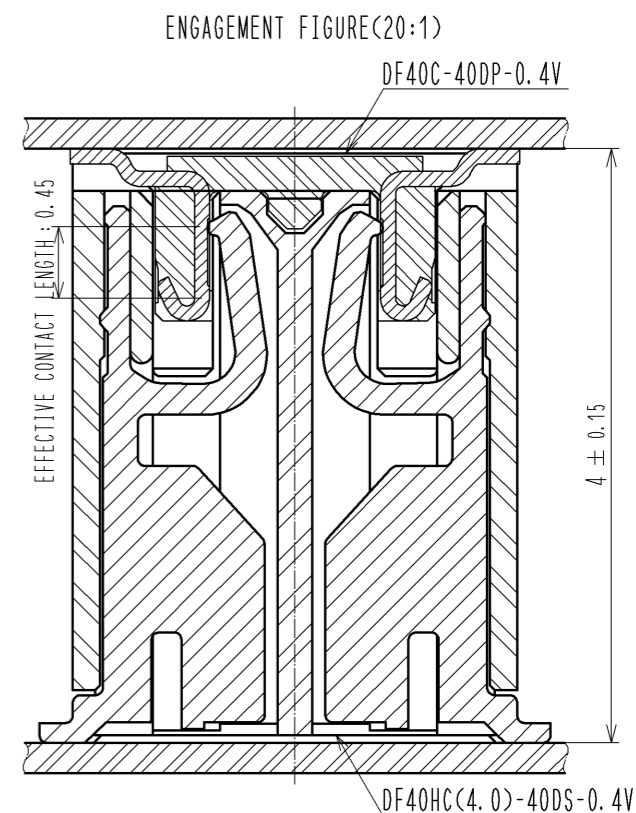
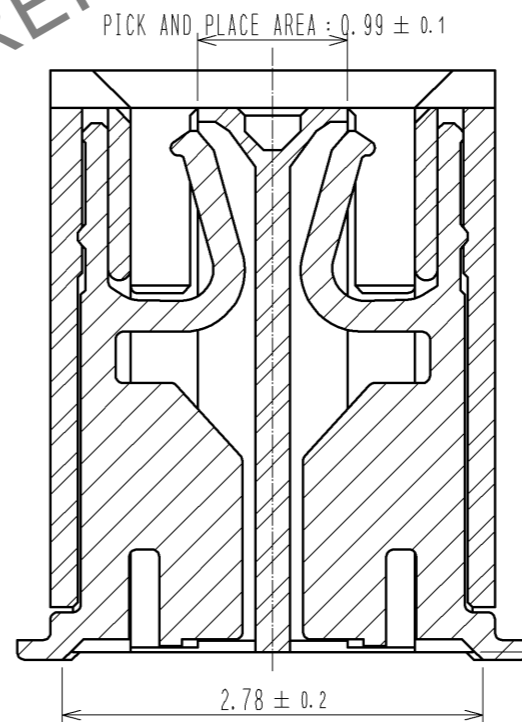
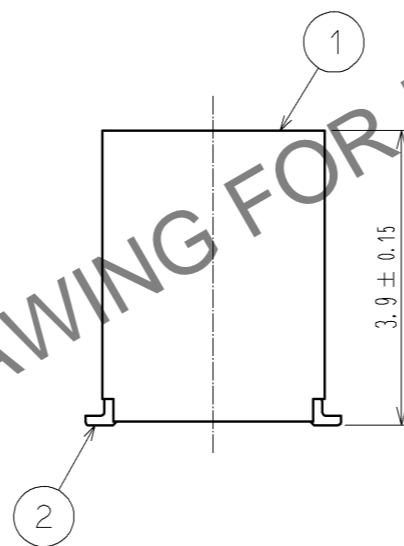
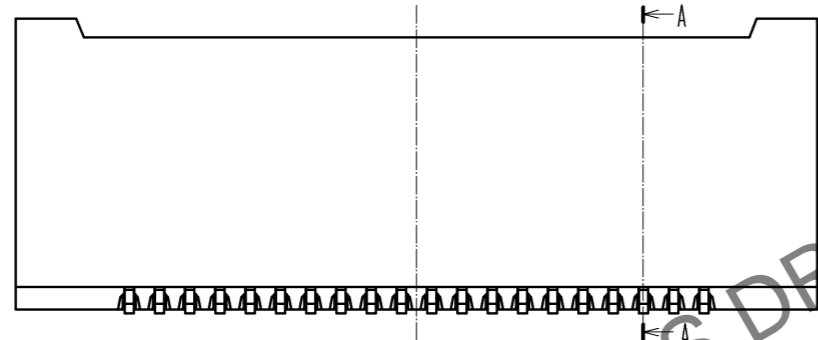
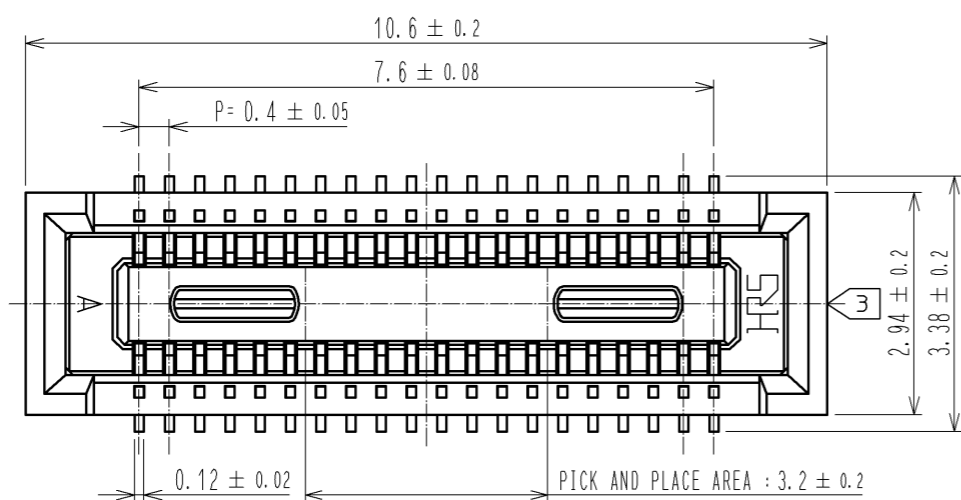


Mar.1.2025 Copyright 2025 HIROSE ELECTRIC CO., LTD. All Rights Reserved.
In case of consideration for using Automotive equipment / device which demand high reliability, kindly contact our sales window correspondents.

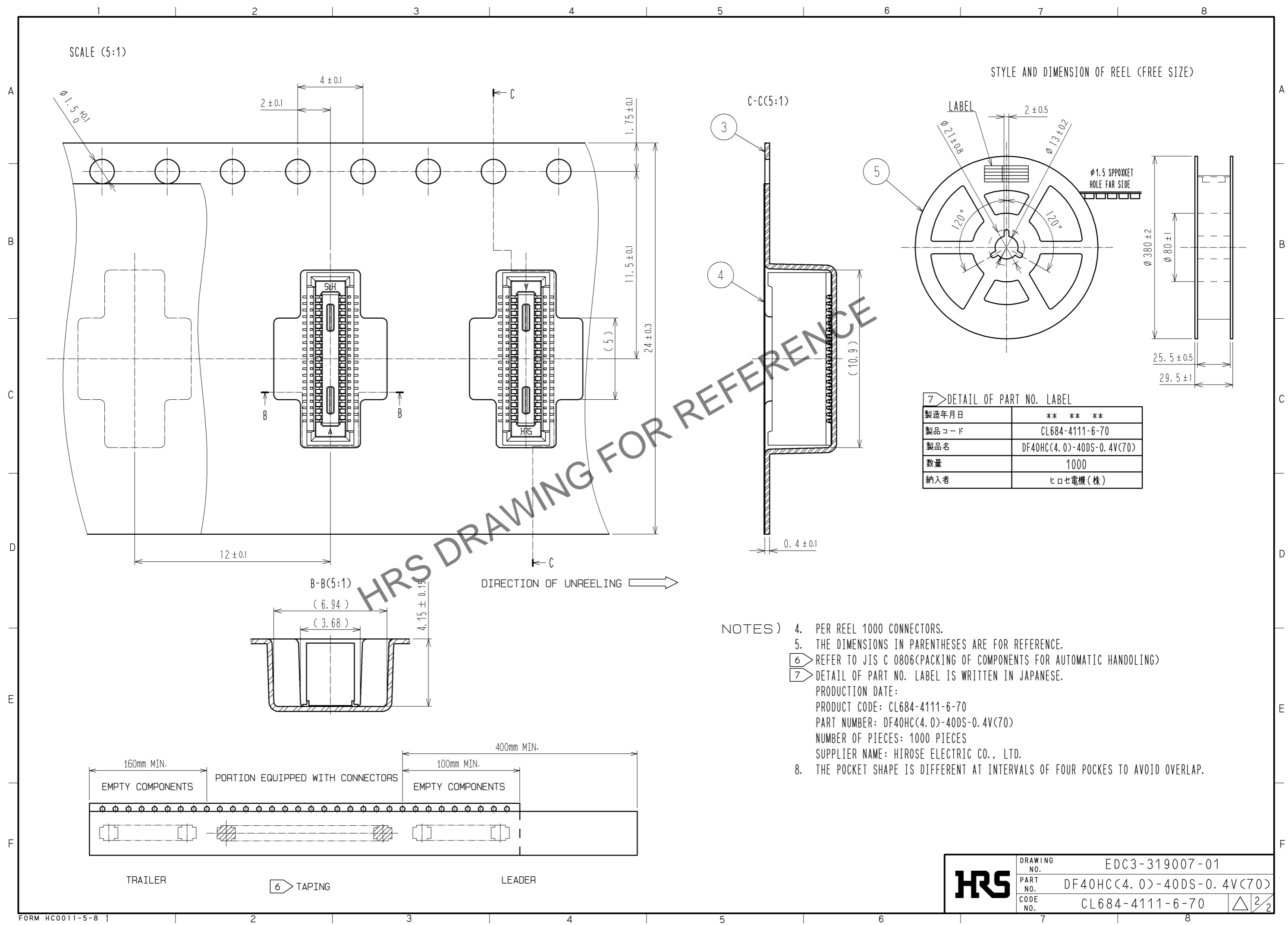


RECOMMENDED METAL MASK THICKNESS : 120 μm
RECOMMENDED METAL MASK OPENING RATIO : 80% FOR LEAD PAD

NOTE 1. ALL LEADS CO-PLANARITY SHALL BE 0.1 MAX.
 2 IS NO PATTERN AREA OTHER THAN THE SAME CIRCUIT.
 3 GATE POSITION IS POSITIONED IN APPROXIMAL AREA SHOWN.

2	PHOSPHOR BRONZE	CONTACT AREA: GOLD 0.05 μm MIN	5	PS	BLACK			
		SMT LEAD: GOLD 0.05 μm MIN						
1	LCP	UNDERPLATING: NICKEL 1 μm MIN	4	POLYESTER	CLEAR, COVER TAPE			
		BLACK, UL94V-0						
NO.	MATERIAL	FINISH, REMARKS	NO.	MATERIAL	FINISH, REMARKS			
UNITS mm		SCALE 10 : 1	COUNT 	DESCRIPTION OF REVISIONS		DESIGNED	CHECKED	DATE
HRS HIROSE ELECTRIC CO., LTD.		APPROVED : KH. IKEDA	10.03.31	DRAWING NO. EDC3-319007-01				
		CHECKED : AR. TAKAHASHI	10.03.31	PART NO. DF40HC(4.0)-40DS-0.4V(70)				
		DESIGNED : TK. SUZUKI	10.03.30	CODE NO. CL684-4111-6-70				
		DRAWN : TK. SUZUKI	10.03.30					

Mar.1.2025 Copyright 2025 HIROSE ELECTRIC CO., LTD. All Rights Reserved.
In case of consideration for using Automotive equipment / device which demand high reliability, kindly contact our sales window correspondents.



7> DETAIL OF PART NO. LABEL	
製造年月日	** ** *
製品コード	CL684-4111-6-70
製品名	DF40HC(4.0)-40DS-0.4V(70)
数量	1000
納入者	ヒロセ電機(株)

- NOTES)
- PER REEL 1000 CONNECTORS.
 - THE DIMENSIONS IN PARENTHESES ARE FOR REFERENCE.
 - REFER TO JIS C 0806(PACKING OF COMPONENTS FOR AUTOMATIC HANDLING)
 - DETAIL OF PART NO. LABEL IS WRITTEN IN JAPANESE.
- PRODUCTION DATE:
 PRODUCT CODE: CL684-4111-6-70
 PART NUMBER: DF40HC(4.0)-40DS-0.4V(70)
 NUMBER OF PIECES: 1000 PIECES
 SUPPLIER NAME: HIROSE ELECTRIC CO., LTD.
- THE POCKET SHAPE IS DIFFERENT AT INTERVALS OF FOUR POKCES TO AVOID OVERLAP.

HRS	DRAWING NO.	EDC3-319007-01
	PART NO.	DF40HC(4.0)-40DS-0.4V(70)
	CODE NO.	CL684-4111-6-70
		△ 2/2