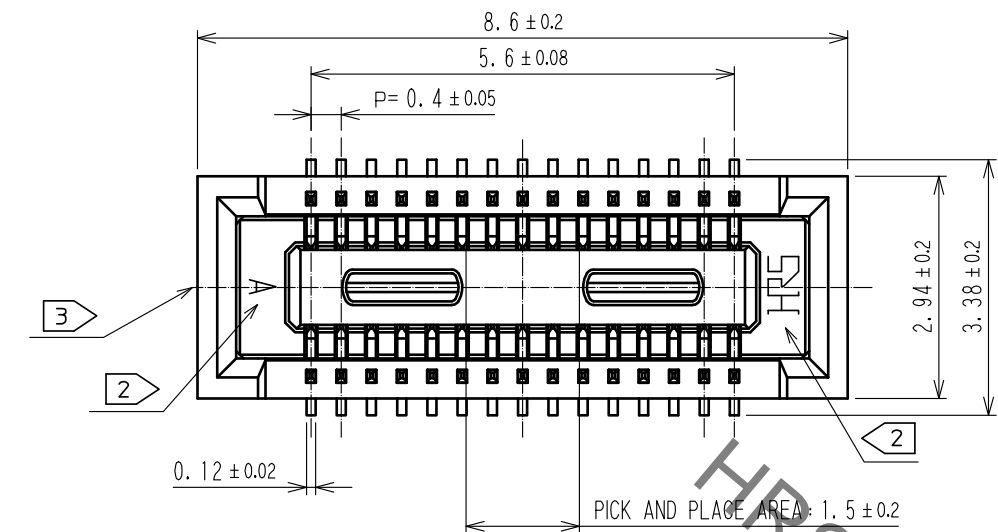
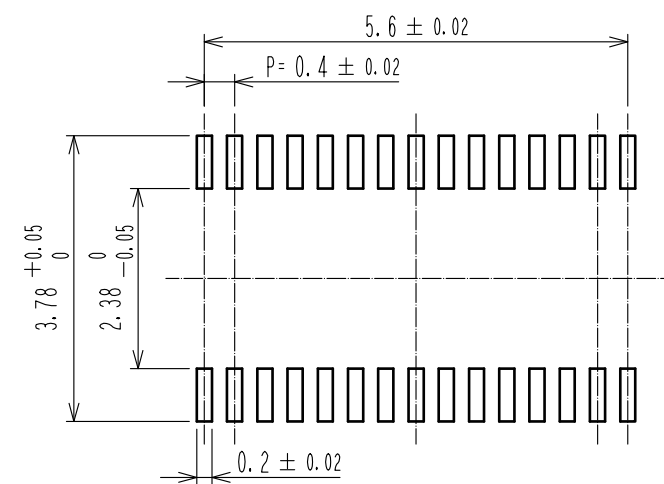


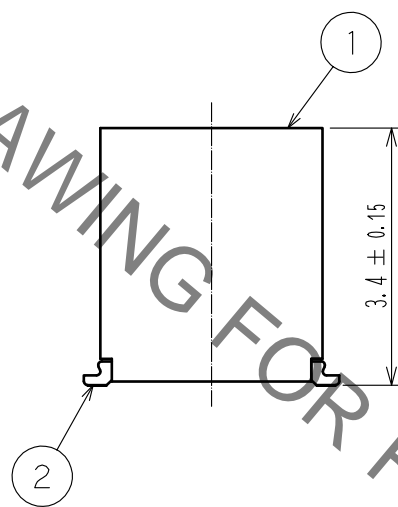
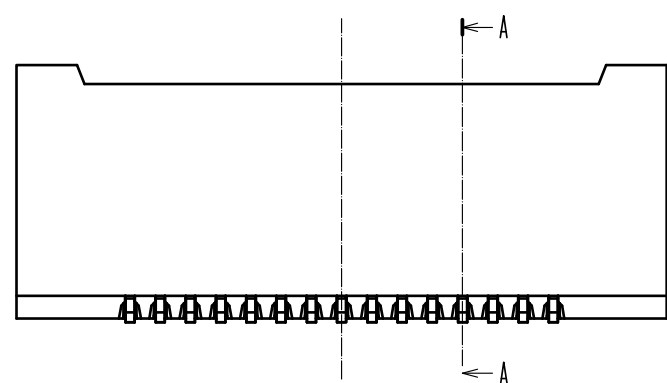
Aug.1.2021 Copyright 2021 HIROSE ELECTRIC CO., LTD. All Rights Reserved.
In case of consideration for using Automotive equipment / device which demand high reliability, kindly contact our sales window correspondents.



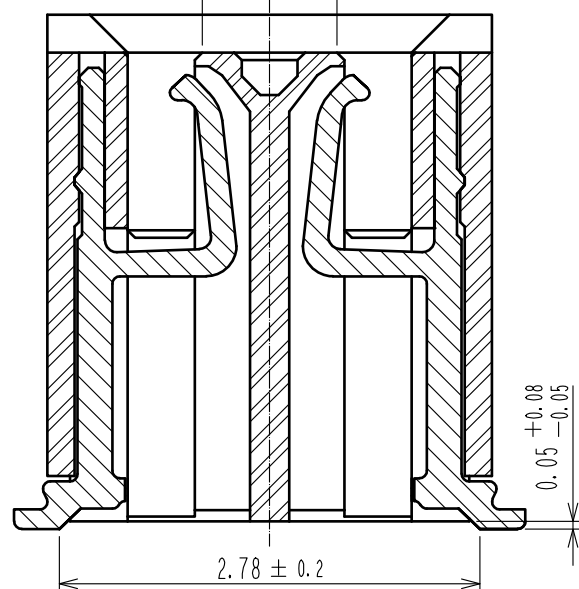
RECOMMENDED PATTERN



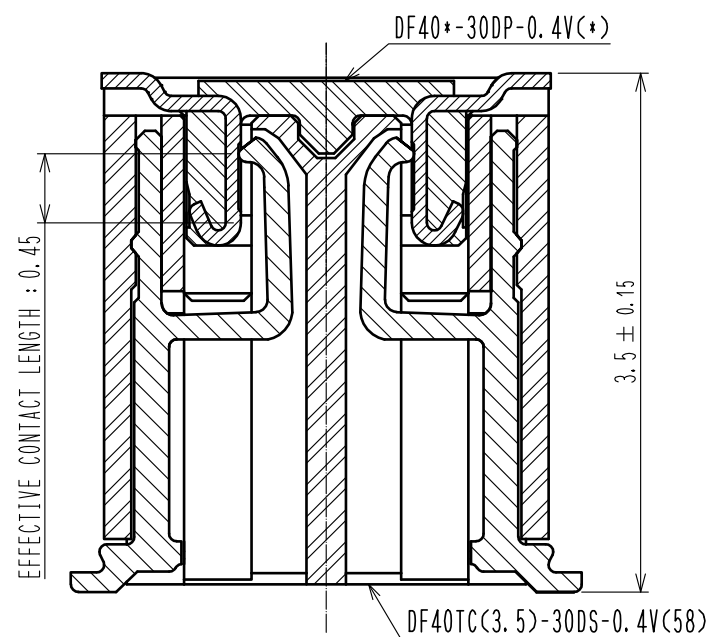
RECOMMENDED METAL MASK THICKNESS : 120 μm
RECOMMENDED METAL MASK OPENING RATIO : 80% FOR LEAD PAD



A-A(20:1)
PICK AND PLACE AREA : 0.99 ± 0.1



ENGAGEMENT FIGURE (20:1)



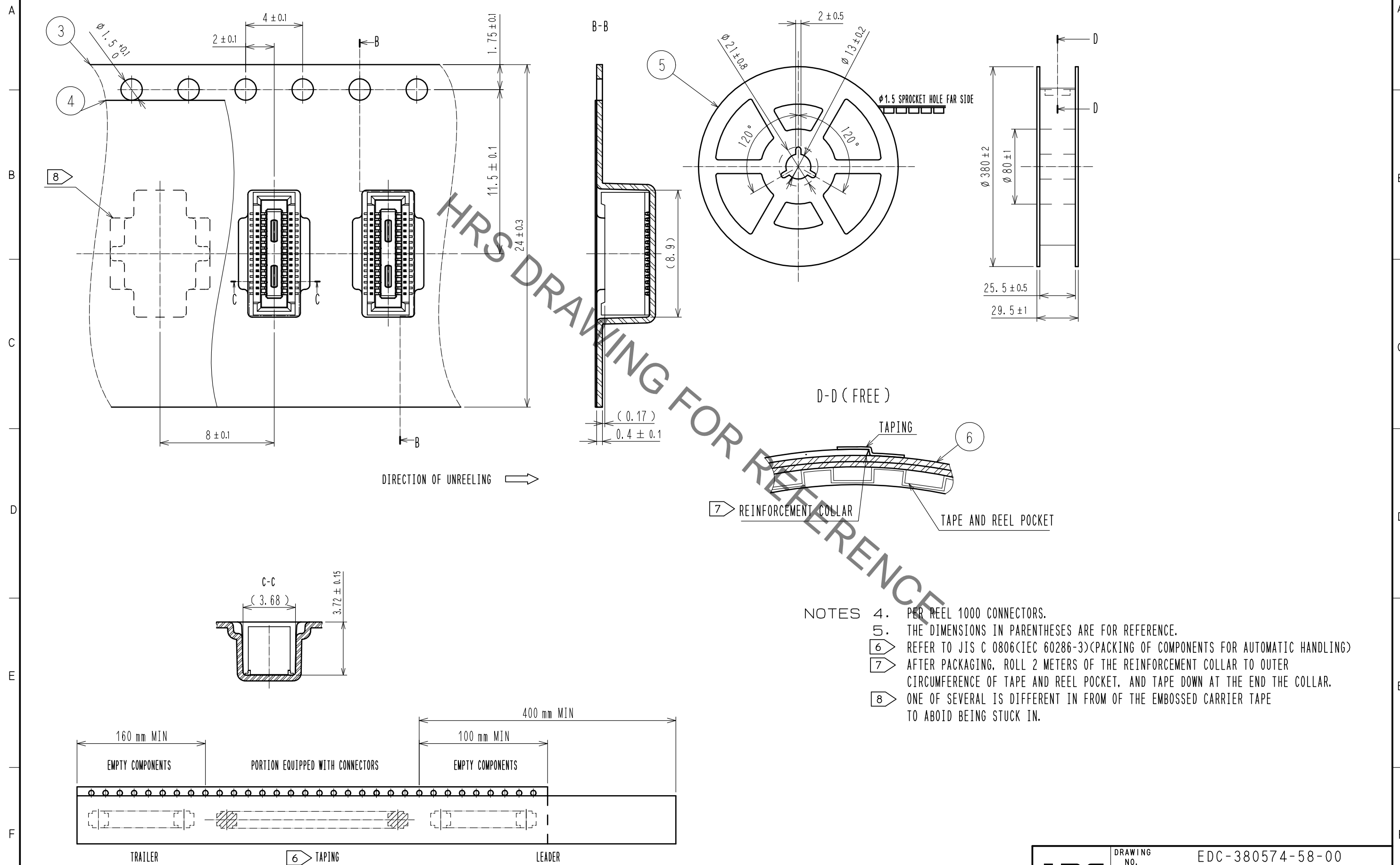
- NOTES) 1. ALL LEADS CO-PLANARITY SHALL BE 0.1 MAX.
2 HRS MARK AND CAV NO. ARE LOCATED IN APPROXIMAL AREA.
3 GATE IS LOCATED IN APPROXIMAL AREA.

2	COPPER ALLOY	CONTACT AREA:GOLD 0.05 μm MIN SMT LEAD:GOLD 0.05 μm MIN UNDERPLATING:NICKEL 1 μm MIN	6	PS	CLEAR, REINFORCEMENT COLLAR		
			5	PS	BLACK		
			4	POLYESTER	CLEAR, COVER TAPE		
1	LCP	BLACK, UL94V-0	3	PS	CLEAR, EMBOSSED CARRIER TAPE		
NO.	MATERIAL	FINISH, REMARKS	NO.	MATERIAL	FINISH, REMARKS		
UNITS mm		SCALE 10:1	COUNT 	DESCRIPTION OF REVISIONS	DESIGNED	CHECKED	DATE
APPROVED : WR. FUKUCHI 20210402			DRAWING NO. EDC-380574-58-00				
CHECKED : TS. MIYAZAKI 20210402			PART NO. DF40TC(3.5)-30DS-0.4V(58)				
DESIGNED : YK. SATAKE 20210402			CODE NO. CL0684-4237-0-58				
DRAWN : YK. SATAKE 20210402			1/2				

Aug.1.2021 Copyright 2021 HIROSE ELECTRIC CO., LTD. All Rights Reserved.
In case of consideration for using Automotive equipment / device which demand high reliability, kindly contact our sales window correspondents.

EMBOSSED CARRIER TAPE PACKAGING (FREE)

STYLE AND DIMENSION OF REEL (FREE)



- NOTES
- 4. PER REEL 1000 CONNECTORS.
 - 5. THE DIMENSIONS IN PARENTHESES ARE FOR REFERENCE.
 - 6. REFER TO JIS C 0806(IEC 60286-3)<PACKING OF COMPONENTS FOR AUTOMATIC HANDLING>
 - 7. AFTER PACKAGING, ROLL 2 METERS OF THE REINFORCEMENT COLLAR TO OUTER CIRCUMFERENCE OF TAPE AND REEL POCKET, AND TAPE DOWN AT THE END THE COLLAR.
 - 8. ONE OF SEVERAL IS DIFFERENT IN FROM OF THE EMBOSSED CARRIER TAPE TO AVOID BEING STUCK IN.

HRS	DRAWING NO.	EDC-380574-58-00	
	PART NO.	DF40TC(3.5)-30DS-0.4V(58)	
	CODE NO.	CL0684-4237-0-58	2/2