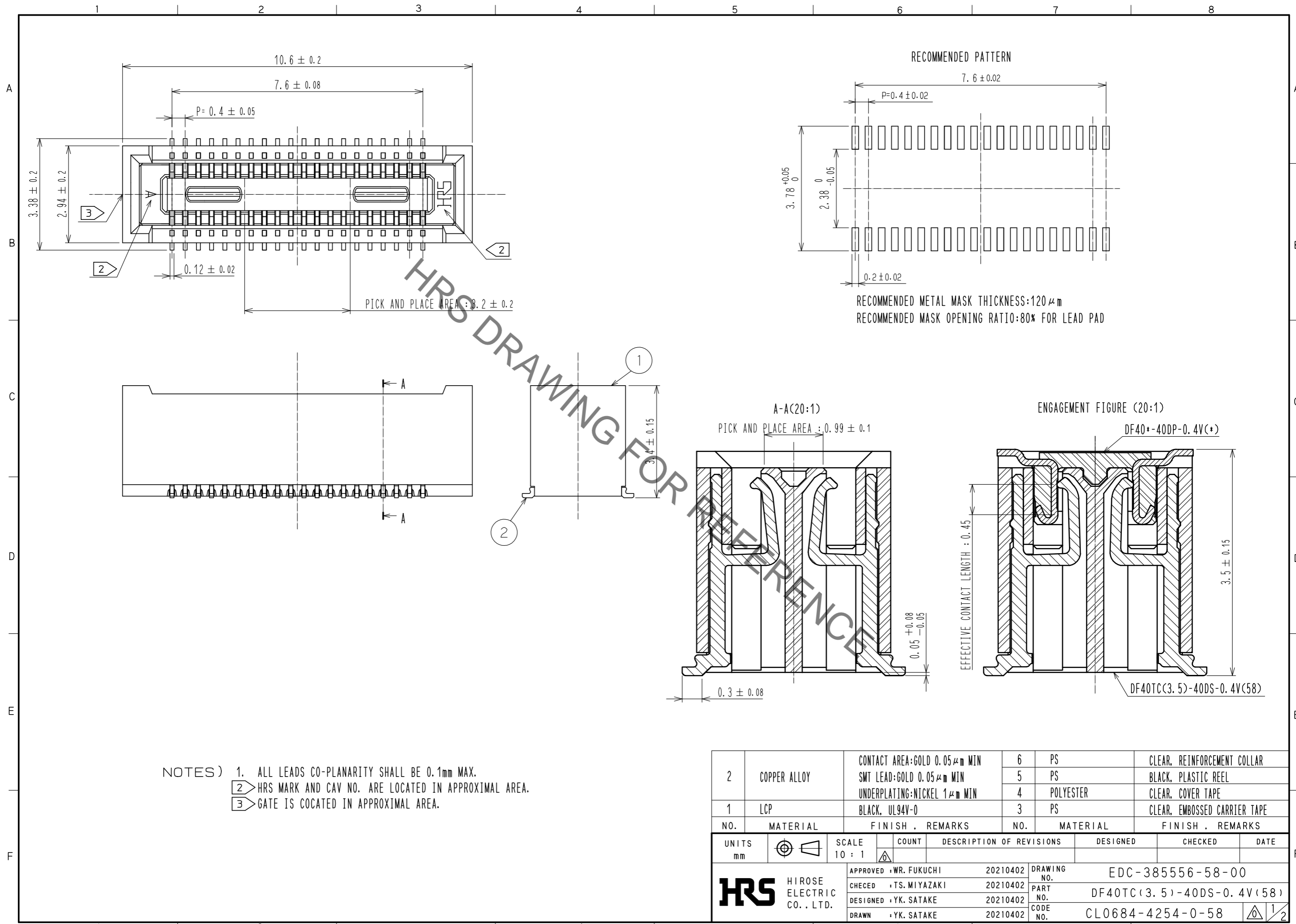


Jul.1.2021 Copyright 2021 HIROSE ELECTRIC CO., LTD. All Rights Reserved.  
 In case of consideration for using Automotive equipment / device which demand high reliability, kindly contact our sales window correspondents.

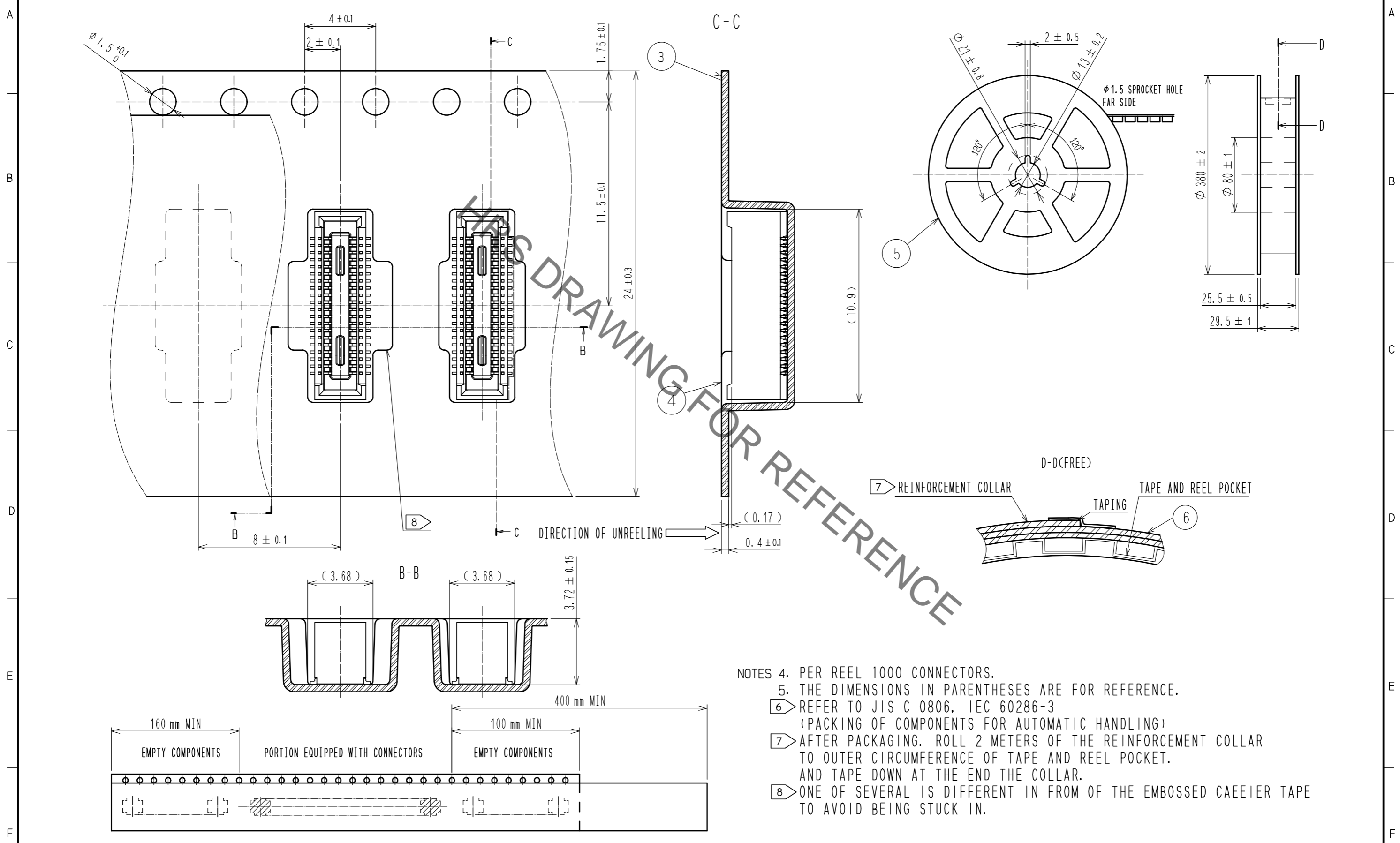


2	COPPER ALLOY	CONTACT AREA: GOLD 0.05 μm MIN SMT LEAD: GOLD 0.05 μm MIN UNDERPLATING: NICKEL 1 μm MIN	6	PS	CLEAR, REINFORCEMENT COLLAR
			5	PS	BLACK, PLASTIC REEL
			4	POLYESTER	CLEAR, COVER TAPE
1	LCP	BLACK, UL94V-0	3	PS	CLEAR, EMBOSSED CARRIER TAPE
NO.	MATERIAL	FINISH, REMARKS	NO.	MATERIAL	FINISH, REMARKS
UNITS mm		SCALE 10 : 1	COUNT	DESCRIPTION OF REVISIONS	DESIGNED
					CHECKED
					DATE
<b>HRS</b> HIROSE ELECTRIC CO., LTD.			APPROVED : WR. FUKUCHI 20210402 CHECKED : TS. MIYAZAKI 20210402 DESIGNED : YK. SATAKE 20210402 DRAWN : YK. SATAKE 20210402	DRAWING NO. EDC-385556-58-00 PART NO. DF40TC(3.5)-40DS-0.4V(58) CODE NO. CL0684-4254-0-58	1/2

Jul.1.2021 Copyright 2021 HIROSE ELECTRIC CO., LTD. All Rights Reserved.  
 In case of consideration for using Automotive equipment / device which demand high reliability, kindly contact our sales window correspondents.

# EMBOSSED CARRIER TAPE PACKAGING (5:1)

STYLE AND DIMENSION OF REEL(FREE)



- NOTES
4. PER REEL 1000 CONNECTORS.
  5. THE DIMENSIONS IN PARENTHESES ARE FOR REFERENCE.
  6. REFER TO JIS C 0806, IEC 60286-3 (PACKING OF COMPONENTS FOR AUTOMATIC HANDLING)
  7. AFTER PACKAGING, ROLL 2 METERS OF THE REINFORCEMENT COLLAR TO OUTER CIRCUMFERENCE OF TAPE AND REEL POCKET. AND TAPE DOWN AT THE END THE COLLAR.
  8. ONE OF SEVERAL IS DIFFERENT IN FROM OF THE EMBOSSED CARRIER TAPE TO AVOID BEING STUCK IN.

<b>HRS</b>	DRAWING NO.	EDC-385556-58-00
	PART NO.	DF40TC(3.5)-40DS-0.4V(58)
	CODE NO.	CL0684-4254-0-58
		$\triangle$ 2/2