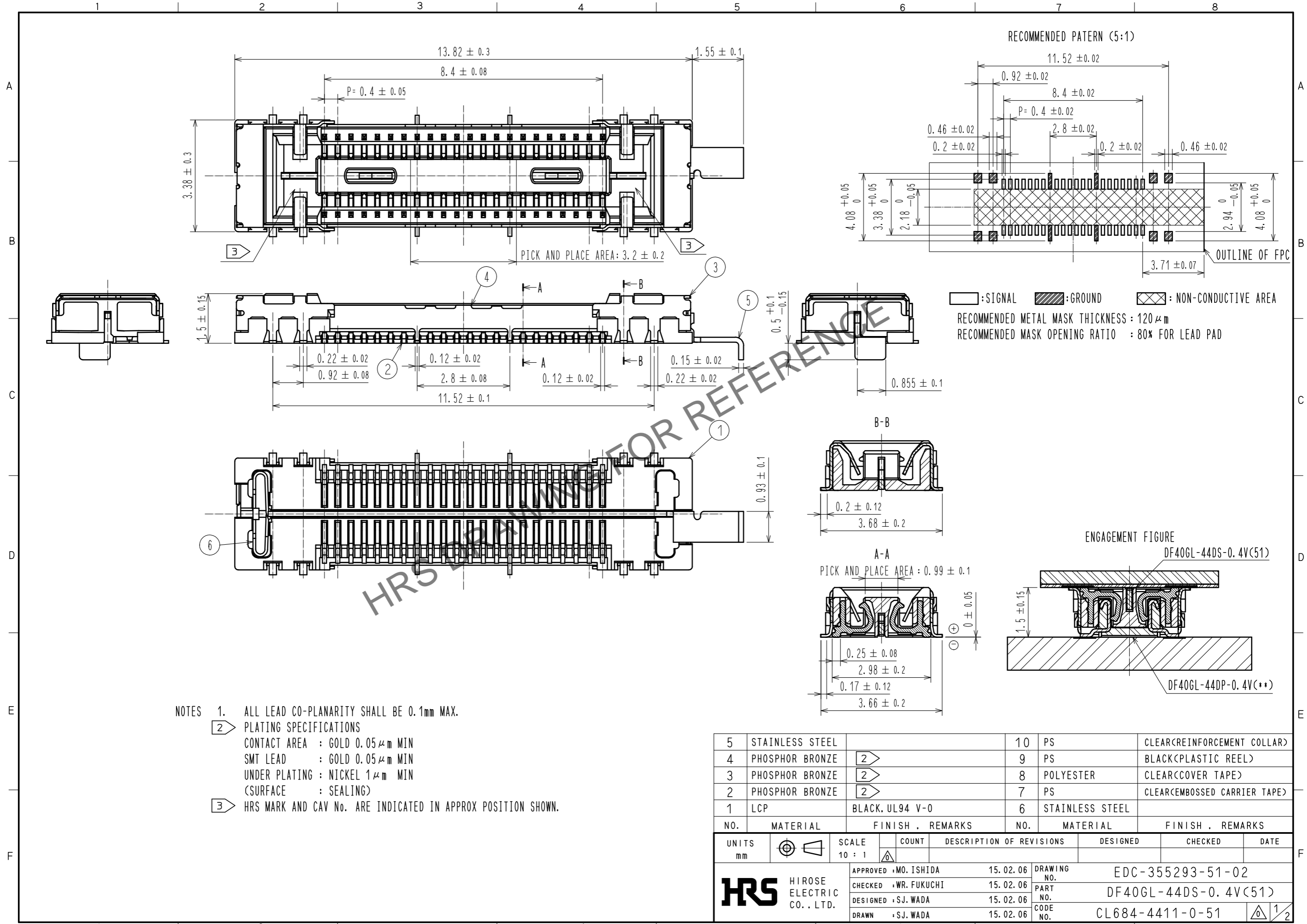
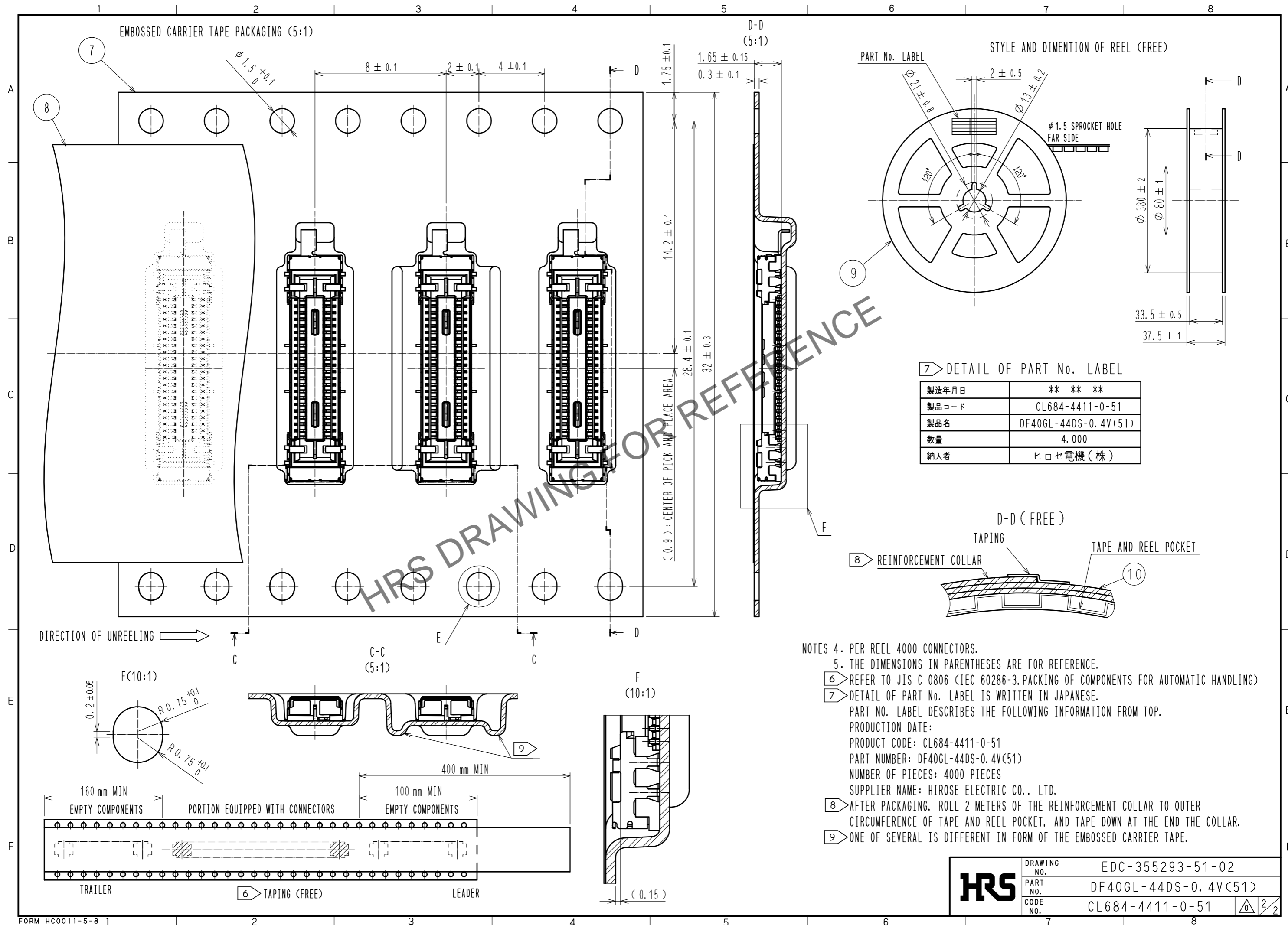


Jan.1.2025 Copyright 2025 HIROSE ELECTRIC CO., LTD. All Rights Reserved.  
 In case of consideration for using Automotive equipment / device which demand high reliability, kindly contact our sales window correspondents.



5	STAINLESS STEEL		10	PS	CLEAR(REINFORCEMENT COLLAR)			
4	PHOSPHOR BRONZE	2	9	PS	BLACK(PLASTIC REEL)			
3	PHOSPHOR BRONZE	2	8	POLYESTER	CLEAR(COVER TAPE)			
2	PHOSPHOR BRONZE	2	7	PS	CLEAR(EMBOSSED CARRIER TAPE)			
1	LCP	BLACK, UL94 V-0	6	STAINLESS STEEL				
NO.	MATERIAL	FINISH . REMARKS	NO.	MATERIAL	FINISH . REMARKS			
UNITS	mm	SCALE	10 : 1	COUNT	DESCRIPTION OF REVISIONS	DESIGNED	CHECKED	DATE
HRS		HIROSE ELECTRIC CO., LTD.	APPROVED : MO. ISHIDA	15.02.06	DRAWING NO.	EDC-355293-51-02		
			CHECKED : WR. FUKUCHI	15.02.06	PART NO.	DF40GL-44DS-0.4V(51)		
			DESIGNED : SJ. WADA	15.02.06	CODE NO.	CL684-4411-0-51		
			DRAWN : SJ. WADA	15.02.06		1/2		

Jan.1.2025 Copyright 2025 HIROSE ELECTRIC CO., LTD. All Rights Reserved.  
 In case of consideration for using Automotive equipment / device which demand high reliability, kindly contact our sales window correspondents.



<b>HRS</b>	DRAWING NO.	EDC-355293-51-02
	PART NO.	DF40GL-44DS-0.4V(51)
	CODE NO.	CL684-4411-0-51
		2/2