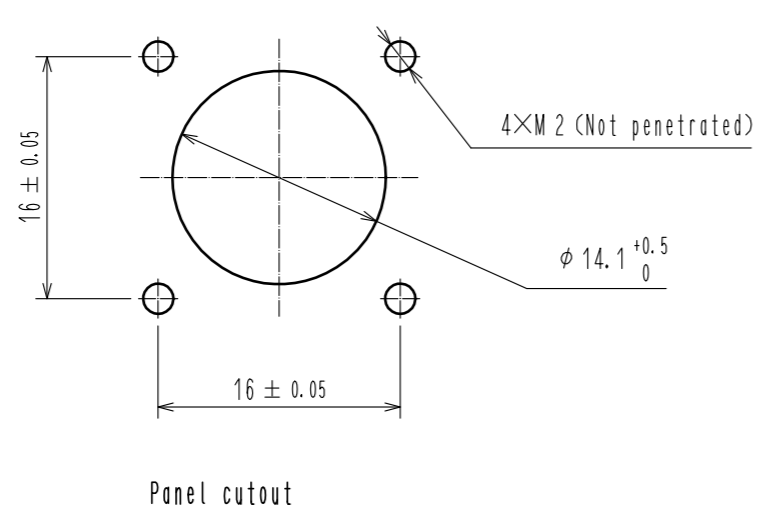
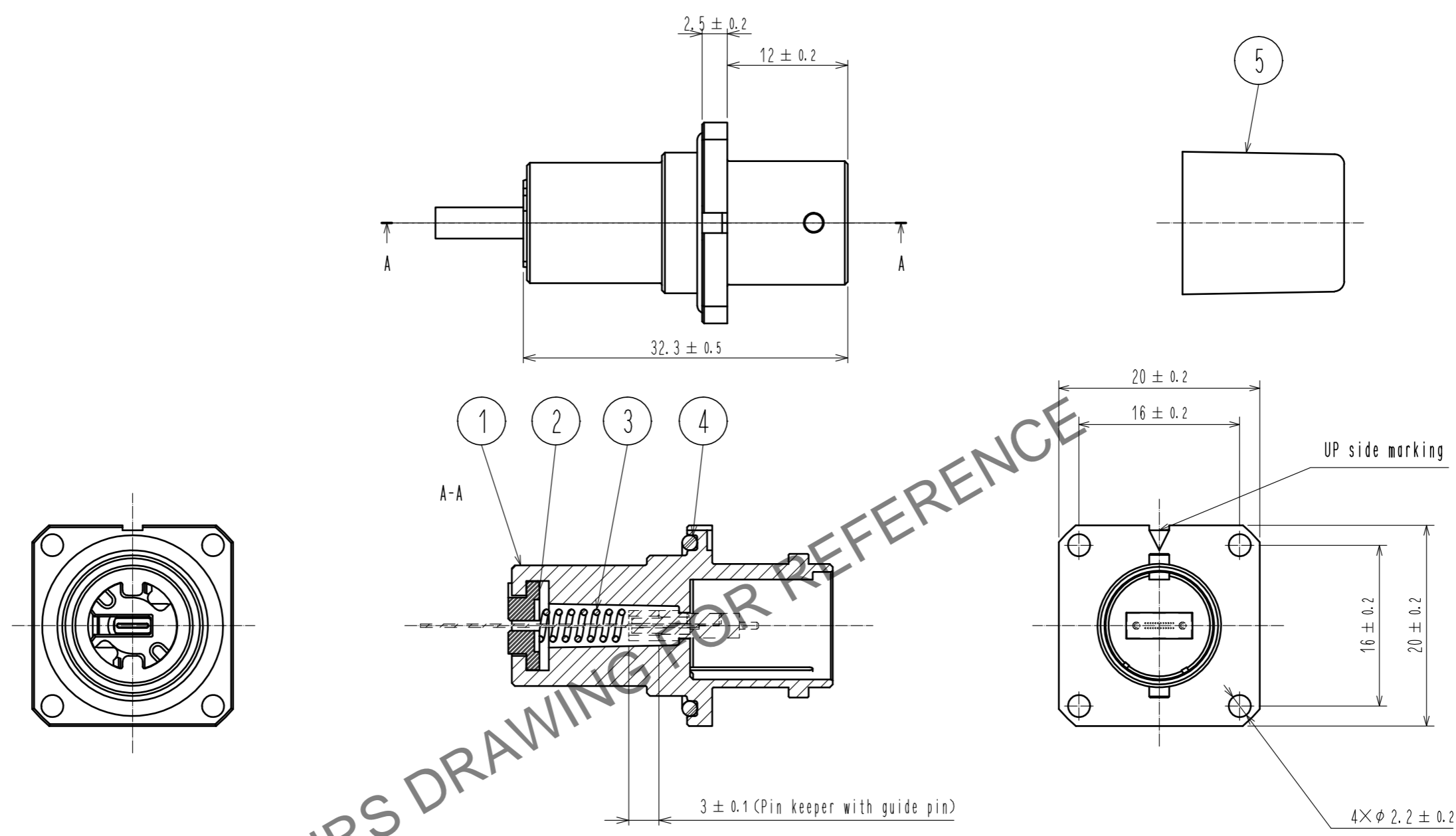


Oct.1.2024 Copyright 2024 HIROSE ELECTRIC CO., LTD. All Rights Reserved.
 In case of consideration for using Automotive equipment / device which demand high reliability, kindly contact our sales window correspondents.



Note 1. FO cable and MT ferrule are NOT included i this product.
 2. Use specifide tool to assemble this product.

NO.	MATERIAL	FINISH .	REMARKS	NO.	MATERIAL	FINISH .	REMARKS
3	Stainless steel		12-ribbon fiber*2 :24 fibers	5	Elastomer		Black
2	Zinc alloy die casting	Ni plating		4	Silicone rubber		Red
1	Zinc alloy die casting	Ni plating					

△ Depends on system

UNITS	SCALE	COUNT	DESCRIPTION OF REVISIONS	DESIGNED	CHECKED	DATE
mm	2 : 1	1	DIS-K-00001131	TY. SATO	FS. YOSHIDA	17. 07. 04

APPROVED	CHECKED	DESIGNED	DRAWN	DRAWING NO.	PART NO.	CODE NO.
MT. SHIBUTANI	YY. HIYAMA	TY. SATO	TY. SATO	EDC-179453-00-00	MF11BMT-WRFB01	CL709-7001-0-00
15. 05. 08	15. 05. 08	15. 05. 08	15. 05. 08			