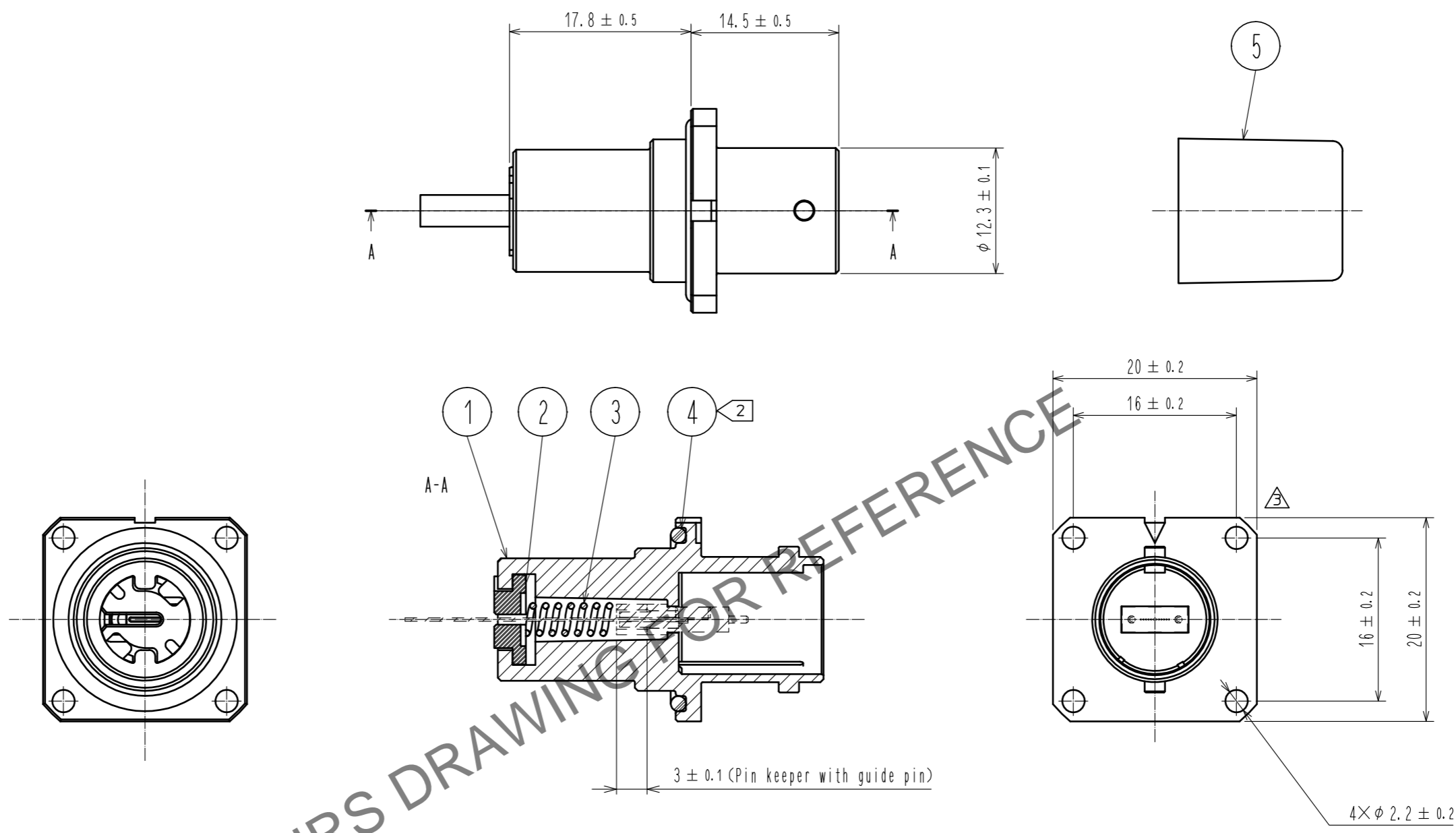


Oct.1.2024 Copyright 2024 HIROSE ELECTRIC CO., LTD. All Rights Reserved.  
 In case of consideration for using Automotive equipment / device which demand high reliability, kindly contact our sales window correspondents.



HRS DRAWING FOR REFERENCE

3	Stainless steel	For 12-ribbon fiber : Springforce 1kgf(Black)	3		
2	Zinc alloy die casting	Ni plating	5	Elastomer	Black
1	Zinc alloy die casting	Ni plating	4	Silicone rubber	Red
NO.	MATERIAL	FINISH . REMARKS	NO.	MATERIAL	FINISH . REMARKS
UNITS	mm	SCALE	2 : 1	COUNT	2
		DESCRIPTION OF REVISIONS	DESIGNED	CHECKED	DATE
		DIS-K-00001361	TY. SATO	FS. YOSHIDA	18. 02. 14
APPROVED : MT. SHIBUTANI		15. 09. 25	DRAWING NO. EDC-179725-00-00		
CHECKED : YY. HIYAMA		15. 09. 25	PART NO. MF11BMT-WRFA01		
DESIGNED : TY. SATO		15. 09. 25	CODE NO. CL709-7012-0-00		
DRAWN : TY. SATO		15. 09. 25	1/1		