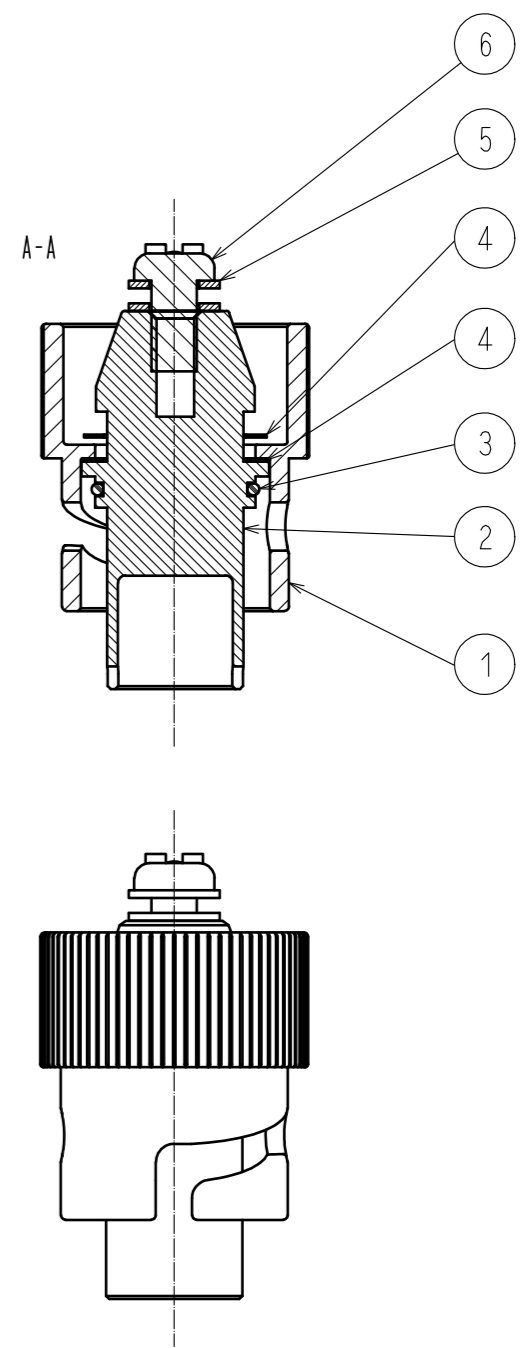
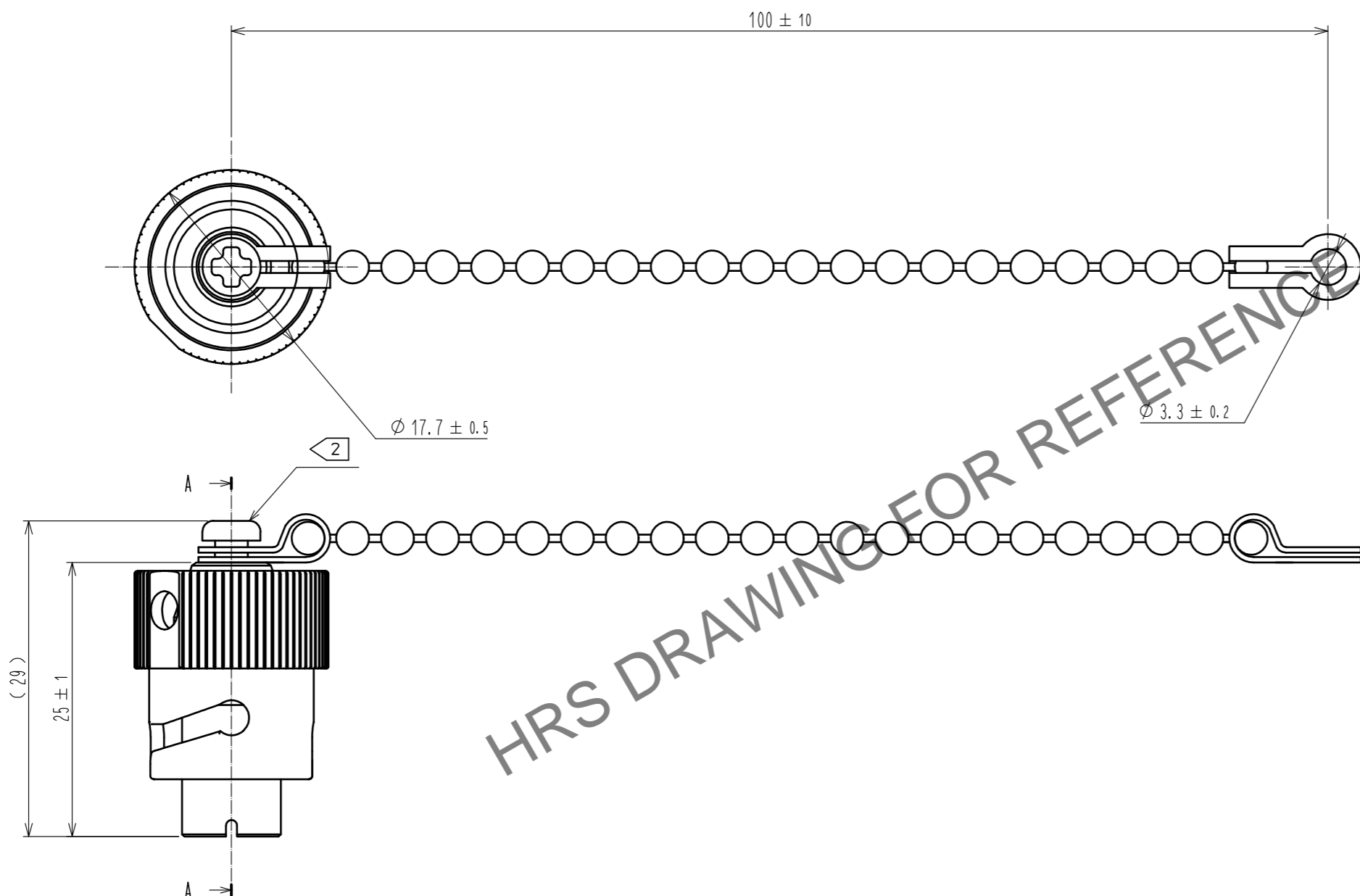


Oct.1.2024 Copyright 2024 HIROSE ELECTRIC CO., LTD. All Rights Reserved.
 In case of consideration for using Automotive equipment / device which demand high reliability, kindly contact our sales window correspondents.



Note 1. Water-proof cap.
 2 Do not remove screw.

NO.	MATERIAL	FINISH .	REMARKS	NO.	MATERIAL	FINISH .	REMARKS
3	Silicon rubber	Red		6	Stainless steel	M3 (Nyelock)	
2	Brass	Ni plating		5	Stainless steel	Ball chain	
1	Zinc alloy die casting	Ni plating		4	Beryllium copper	Nickel plating	

UNITS	SCALE	COUNT	DESCRIPTION OF REVISIONS	DESIGNED	CHECKED	DATE
mm	2 : 1	△				
APPROVED : MT. SHIBUTANI			17.08.01	DRAWING NO. EDC-376694-00-00		
CHECKED : FS. YOSHIDA			17.08.01	PART NO. MF11BMT-WRC2		
DESIGNED : TY. SATO			17.08.01	CODE NO. CL709-7036-0-00		
DRAWN : TY. SATO			17.08.01	1/1		