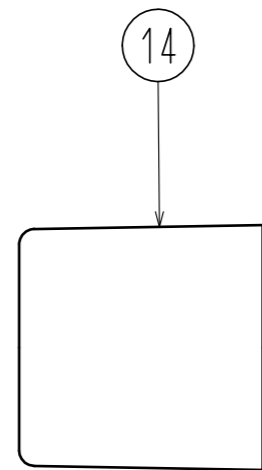
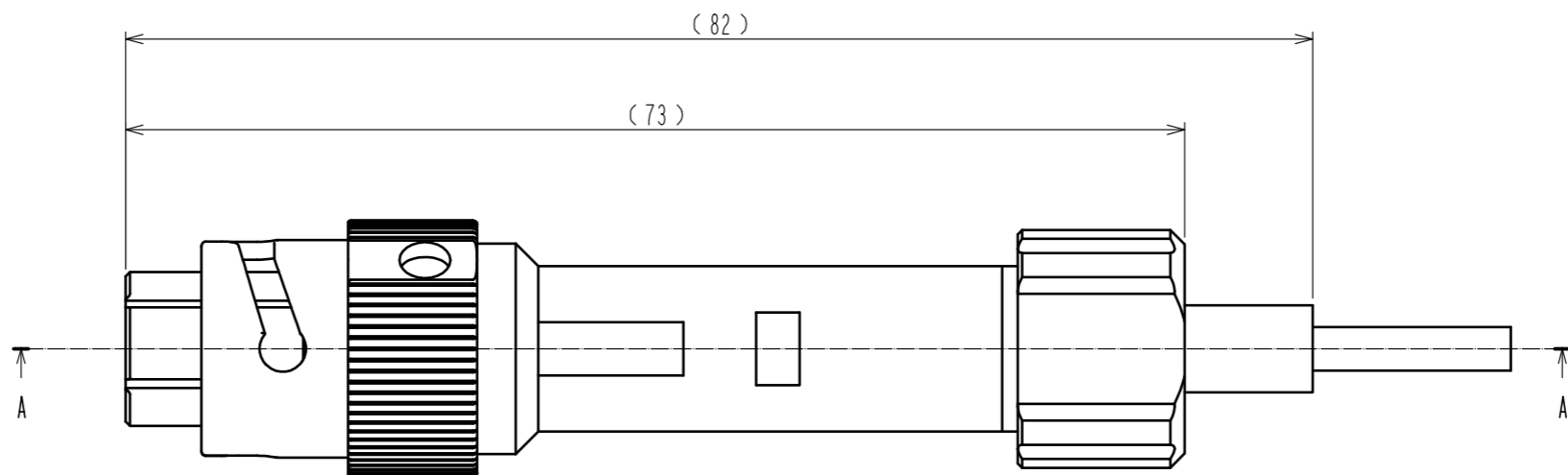


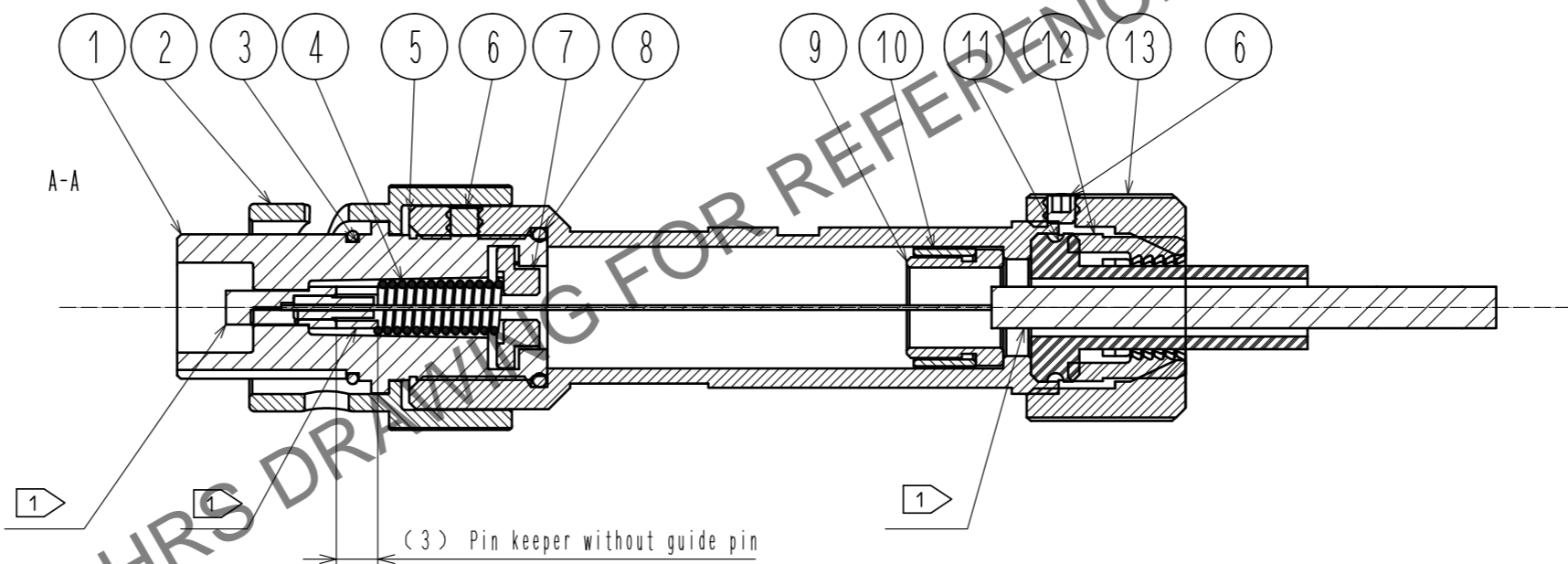
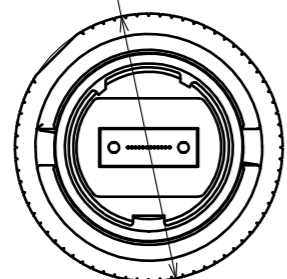
Oct.1.2024 Copyright 2024 HIROSE ELECTRIC CO., LTD. All Rights Reserved.
 In case of consideration for using Automotive equipment / device which demand high reliability, kindly contact our sales window correspondents.



14



$\phi 17.7 \pm 0.5$



(3) Pin keeper without guide pin

Note 1 FO cable and MT ferrule are NOT included in this product.
 2. Use specific tool to assemble this product.

7	Zinc alloy die casting	Ni plating	14	Elastomer	Black
6	Stainless steel		13	Zinc alloy die casting	Ni plating
5	Zinc alloy die casting	Ni plating	12	PA	White
4	Stainless steel	For 12 fibers:Spring force 1kgf(Black)	11	Silicon rubber	Black
3	Silicon rubber	Red	10	Brass	Ni plating
2	Zinc alloy die casting	Ni plating	9	Brass	Ni plating
1	Zinc alloy die casting	Ni plating	8	Silicon rubber	Red
NO.	MATERIAL	FINISH . REMARKS	NO.	MATERIAL	FINISH . REMARKS

UNITS mm		SCALE 2 : 1	COUNT 	DESCRIPTION OF REVISIONS	DESIGNED	CHECKED	DATE
HIROSE ELECTRIC CO., LTD.				APPROVED : MT. SHIBUTANI 18.03.24	DRAWING NO. EDC-381515-00-00		
				CHECKED : FS. YOSHIDA 18.03.23	PART NO. MF11BMT-WP4CA02		
				DESIGNED : TY. SATO 18.03.23	CODE NO. CL709-7045-0-00		
				DRAWN : SR. TOYOKAWA 18.03.13	1/1		