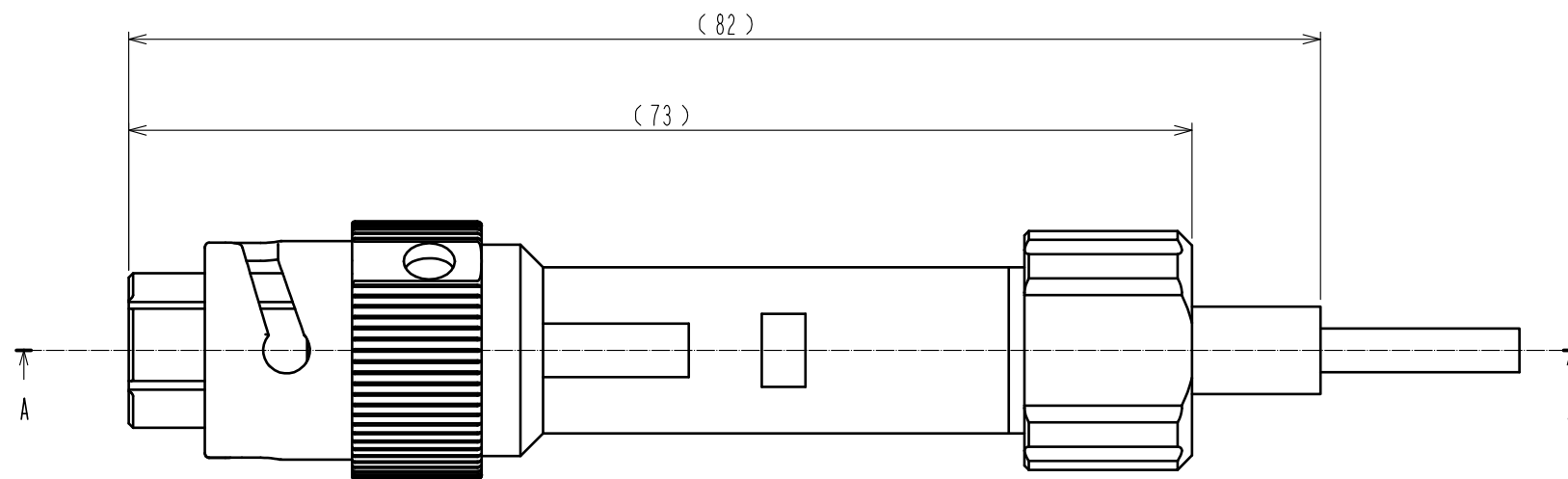
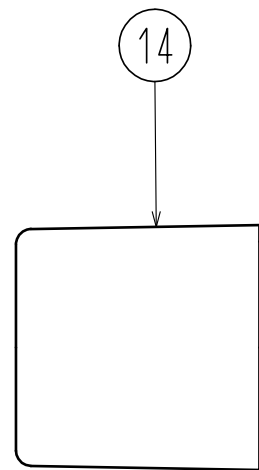
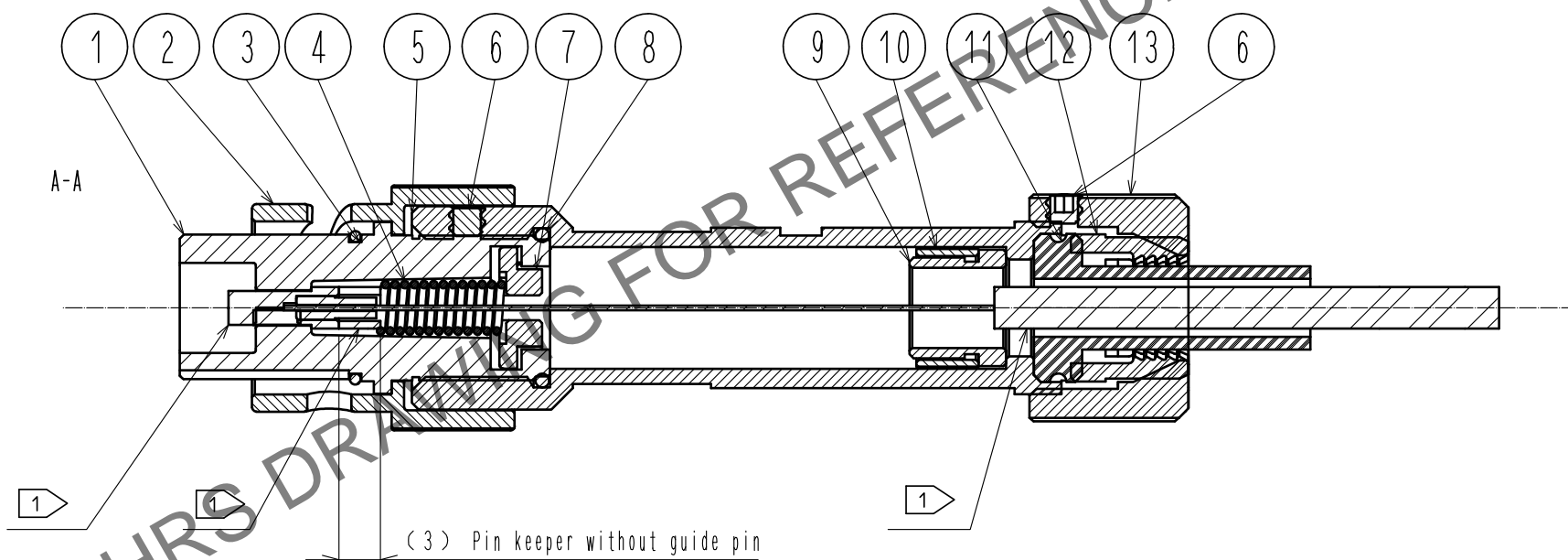
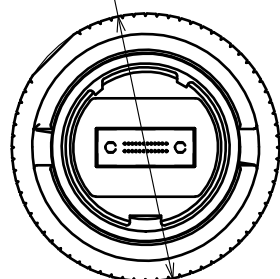


Oct.1.2024 Copyright 2024 HIROSE ELECTRIC CO., LTD. All Rights Reserved.  
 In case of consideration for using Automotive equipment / device which demand high reliability, kindly contact our sales window correspondents.



$\phi 17.7 \pm 0.5$



(3) Pin keeper without guide pin

Note 1 FO cable and MT ferrule are NOT included in this product.  
 2. Use specific tool to assemble this product.

7	Zinc alloy die casting	Ni plating	14	Elastomer	Black
6	Stainless steel		13	Zinc alloy die casting	Ni plating
5	Zinc alloy die casting	Ni plating	12	PA	White
4	Stainless steel	For 24 fibers:Spring force 2kgf(Chrome)	11	Silicon rubber	Black
3	Silicon rubber	Red	10	Brass	Ni plating
2	Zinc alloy die casting	Ni plating	9	Brass	Ni plating
1	Zinc alloy die casting	Ni plating	8	Silicon rubber	Red
NO.	MATERIAL	FINISH . REMARKS	NO.	MATERIAL	FINISH . REMARKS

UNITS mm		SCALE 2 : 1	COUNT 	DESCRIPTION OF REVISIONS	DESIGNED	CHECKED	DATE
<b>HRS</b> HIROSE ELECTRIC CO., LTD.		APPROVED : YY. HIYAMA	20190603	DRAWING NO.	EDC-385327-00-00		
		CHECKED : TS. YAMAZAKI	20190603	PART NO.	MF11BMT-WP4CB02		
		DESIGNED : TY. SATO	20190603	CODE NO.	CL709-7052-0-00		
		DRAWN : TY. SATO	20190603				