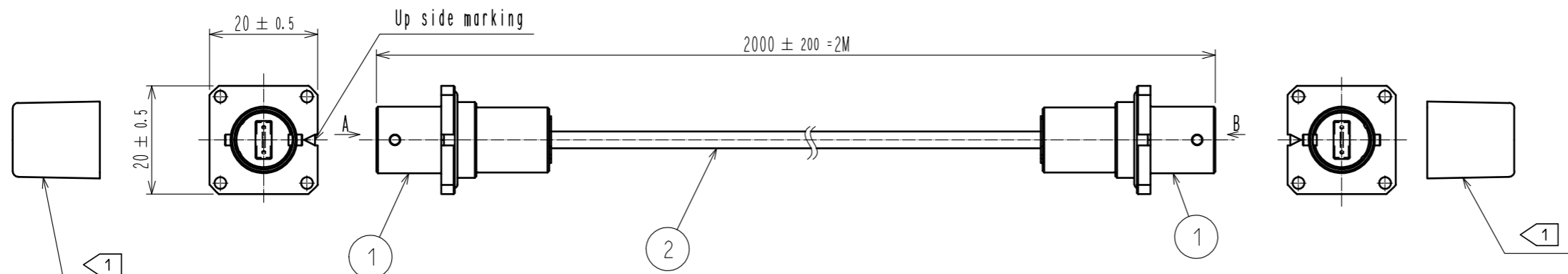
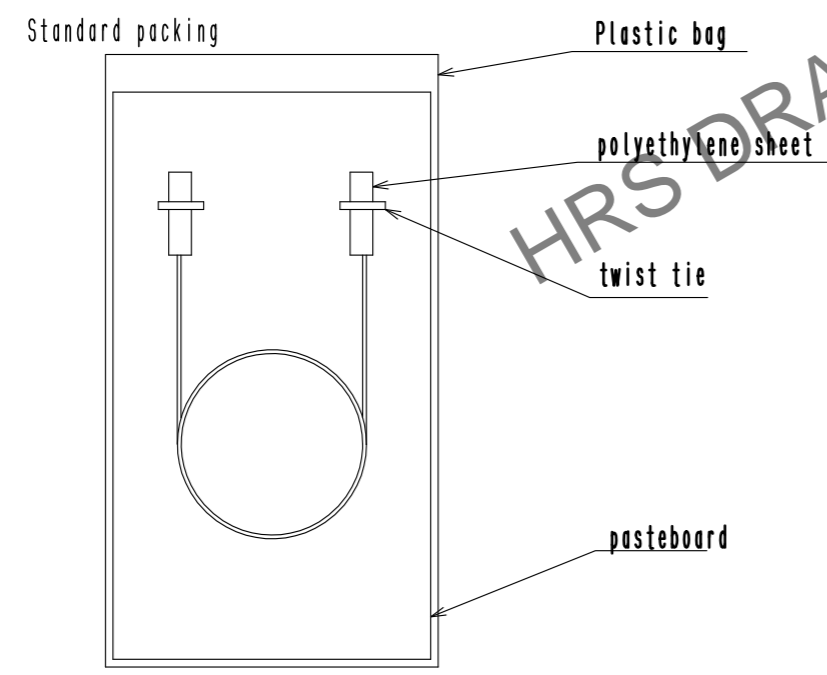
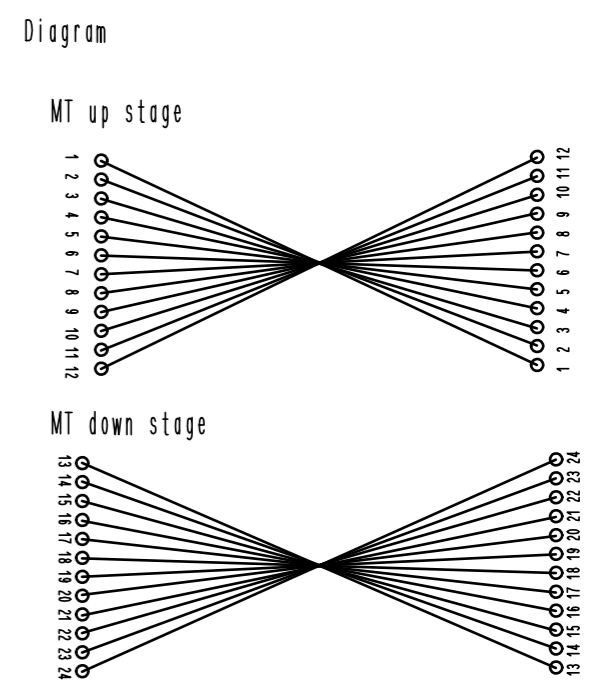
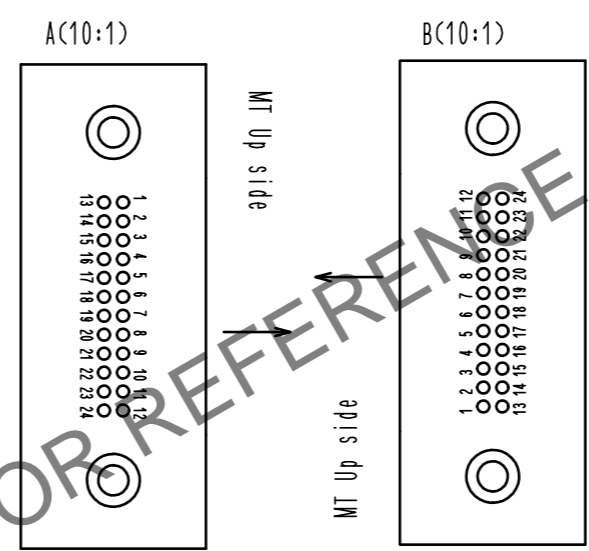


Oct.1.2024 Copyright 2024 HIROSE ELECTRIC CO., LTD. All Rights Reserved.
 In case of consideration for using Automotive equipment / device which demand high reliability, kindly contact our sales window correspondents.



Fiber No and Color												
Fiber No.	1	2	3	4	5	6	7	8	9	10	11	12
Color	Blue	Orange	Green	Brown	Slate	White	Red	Black	Yellow	Voilet	Rose	Aqua
fiber No.	13	14	15	16	17	18	19	20	21	22	23	24
Color	Blue	Orange	Green	Brown	Slate	White	Red	Black	Yellow	Voilet	Rose	Aqua



Note 1 This conector cap chall be installed and deliverd.

No.	Part	Note
1	MF11BMT-WRFB01	
2	ribon fiber	GI(50/125), 12*2 fibers

UNITS mm		SCALE 1 : 1	COUNT 1	DESCRIPTION OF REVISIONS DIS-K-00001120	DESIGNED TY. SATO	CHECKED FS. YOSHIDA	DATE 17. 06. 28
HRS HIROSE ELECTRIC CO., LTD.		APPROVED : MT. SHIBUTANI	16. 09. 23	DRAWING NO. EDC-179817-00-00		PART NO. MF11-2RF24M-01-2M	
		CHECKED : YY. HIYAMA	16. 09. 23	CODE NO. CL709-7105-0-00		1/1	
		DESIGNED : TY. SATO	16. 09. 23				
		DRAWN : TY. SATO	16. 09. 23				