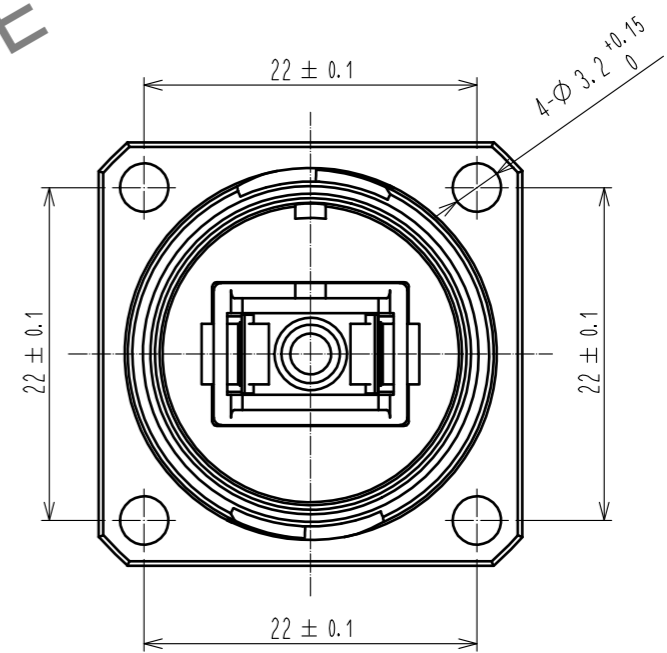
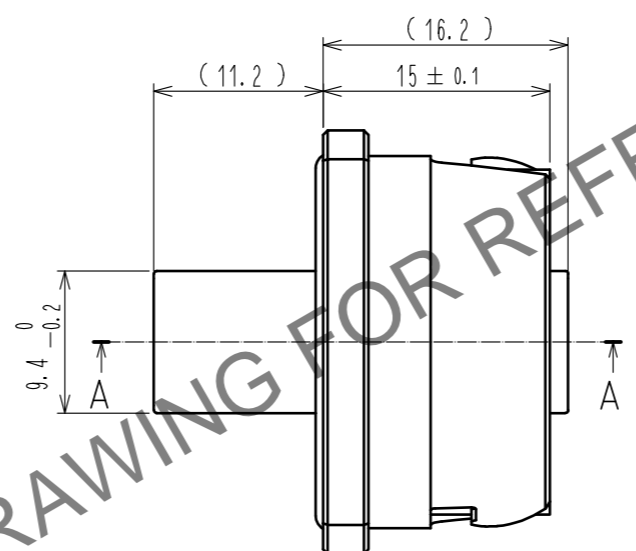
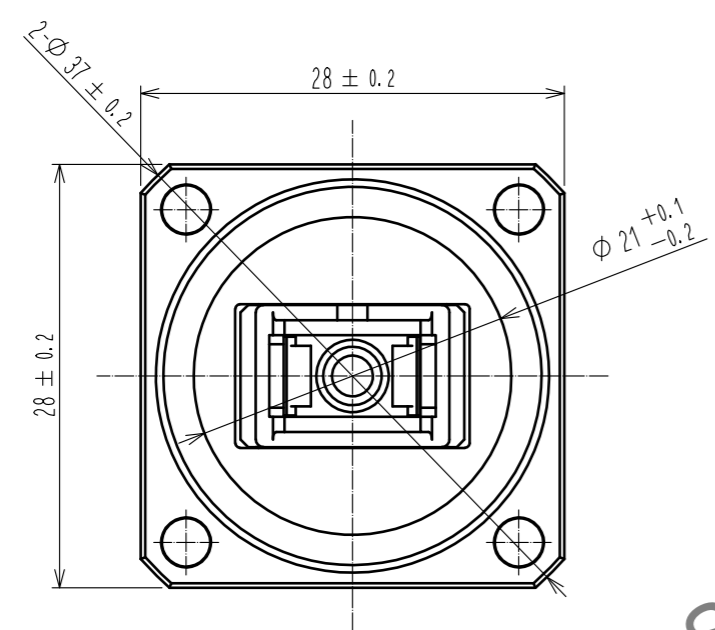
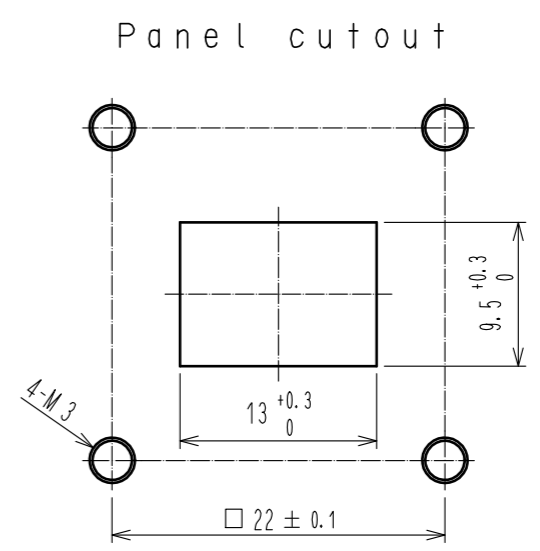
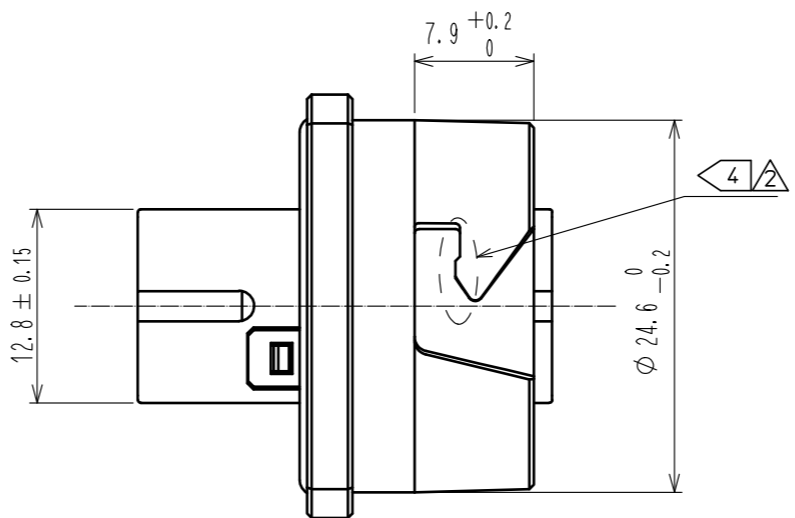
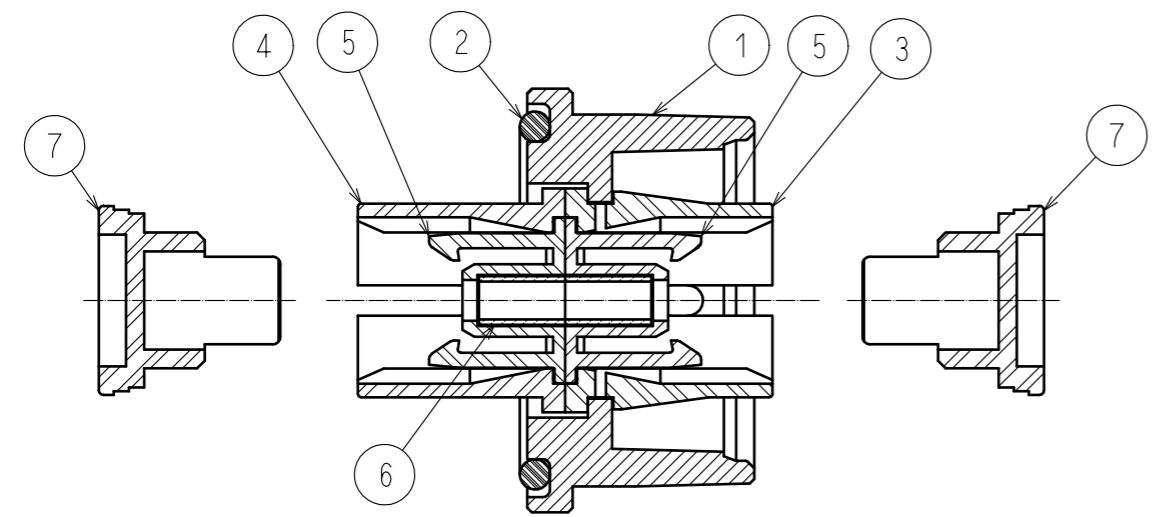


Nov.1.2024 Copyright 2024 HIROSE ELECTRIC CO., LTD. All Rights Reserved.
 In case of consideration for using Automotive equipment / device which demand high reliability, kindly contact our sales window correspondents.



HRS DRAWING FOR REFERENCE

A - A



- NOTE
- 1 The adapter cap (Ref. no. ⑦) is installed.
 - 2 The waterproof cap for this products is option.
 - 3 Please buy CL717-5002-2-02 when the tray is necessary. Vinyl pack.
 - ④ If the connector is tight, apply a commercially available fluorinated semi-wet lubricant at the position shown in the figure and at the 180° opposite position. (ex. Kanto Kasei HANARL UD-321®)

NO.	MATERIAL	FINISH .	REMARKS	NO.	MATERIAL	FINISH .	REMARKS
4	PPS	Blue		7	PP	Blue	
3	PPS	Blue		6	Zirconia	Split sleeve	
2	Silicone Rubber	Red		5	PBT	Blue	
1	Zinc Alloy Die Casting	Cr plating .	Black				

UNITS	SCALE	COUNT	DESCRIPTION OF REVISIONS	DESIGNED	CHECKED	DATE
mm	2 : 1	2	DIS-K-00006684	TY. SATO	SJ. SUZUKI	20220624

APPROVED	DATE	DRAWING NO.
YY. HIYAMA	20121012	EDC3-176756-04
YY. HIYAMA	20121012	PART NO. SW20-SCR-1(C01)
YH. MASUZAKI	20121012	CODE NO. CL0717-5002-2-01
YH. MASUZAKI	20121012	