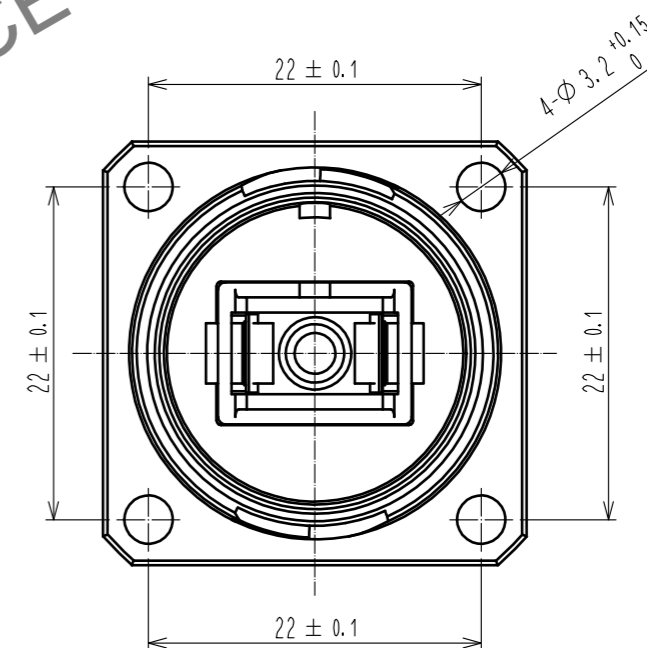
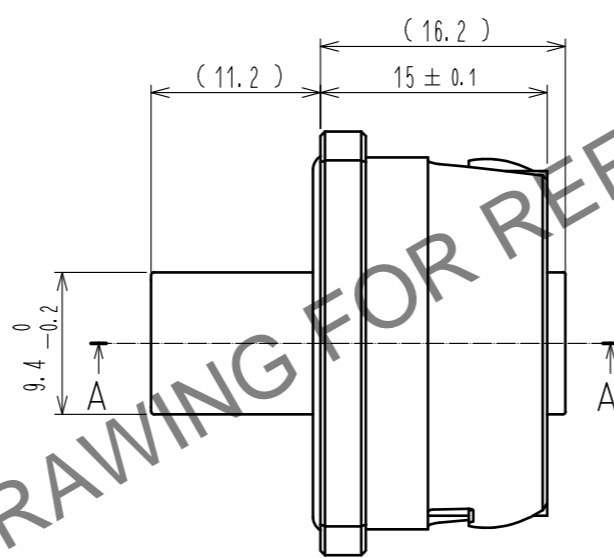
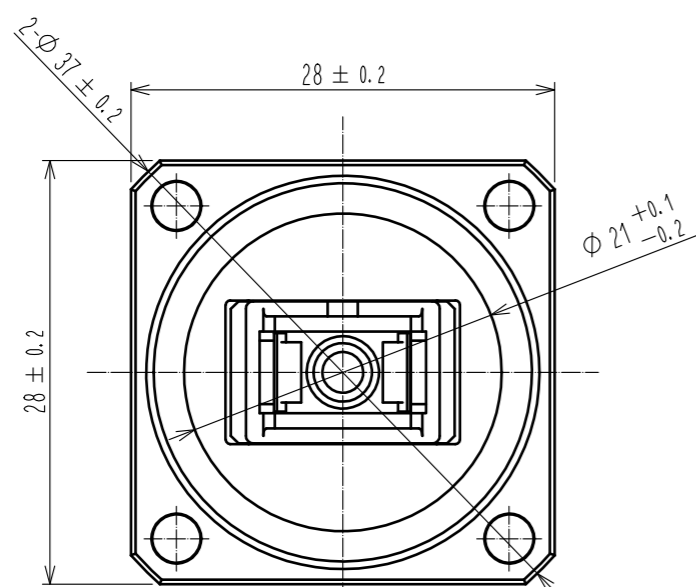
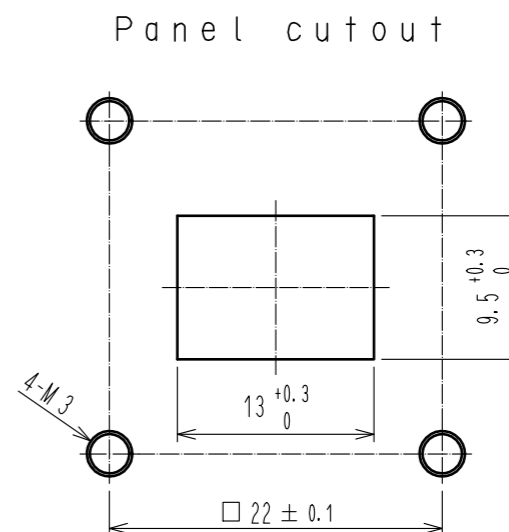
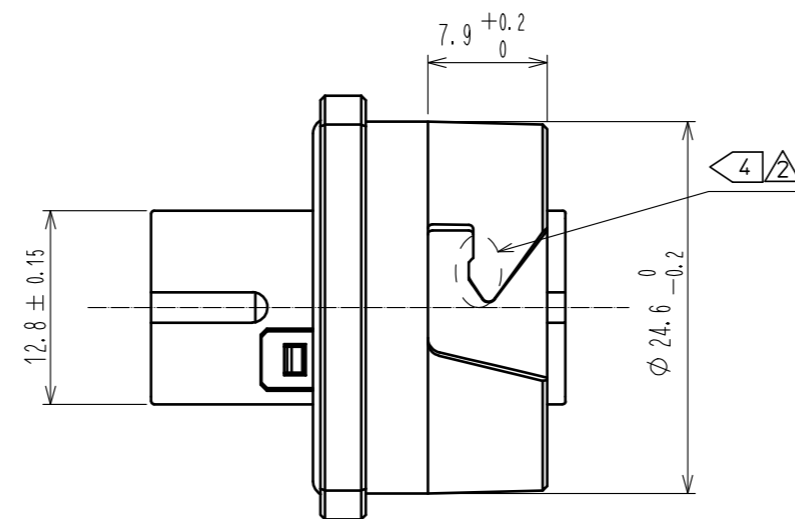
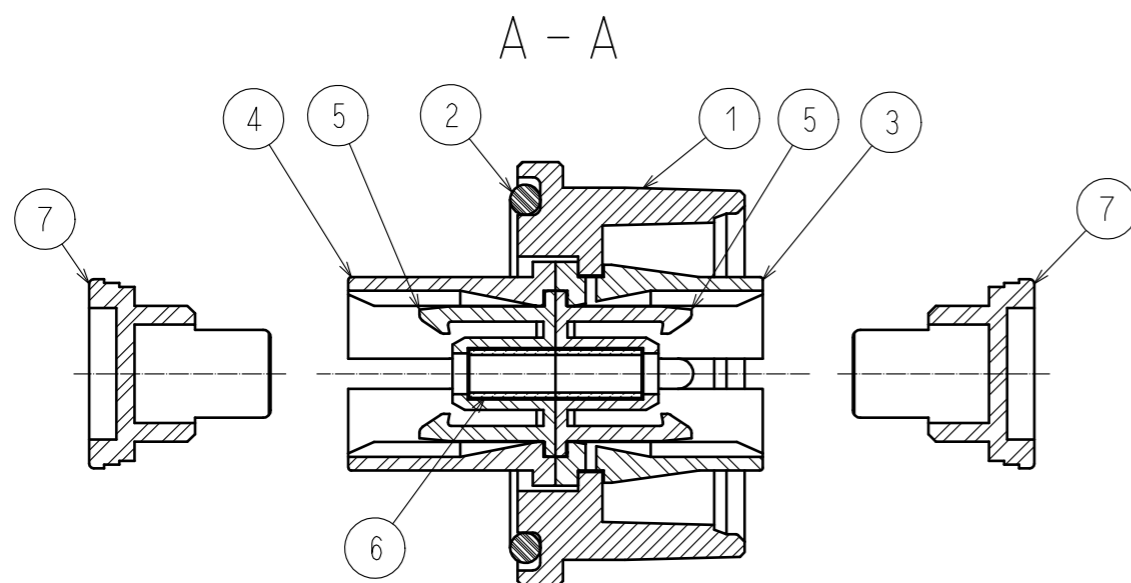


Nov.1.2024 Copyright 2024 HIROSE ELECTRIC CO., LTD. All Rights Reserved.  
 In case of consideration for using Automotive equipment / device which demand high reliability, kindly contact our sales window correspondents.



HRS DRAWING FOR REFERENCE

- NOTE
- 1 The adapter cap (Ref. no. ⑦) is installed.
  - 2 The waterproof cap for this products is option.
  - 3 Please buy CL717-5002-2-01 when the tray is unnecessary.
- ④ If the connector is tight, apply a commercially available fluorinated semi-wet lubricant at the position shown in the figure and at the 180° opposite position. (ex. Kanto Kasei HANARL UD-321④)



NO.	MATERIAL	FINISH	REMARKS	NO.	MATERIAL	FINISH	REMARKS
4	PPS	Blue		7	PP	Blue	
3	PPS	Blue		6	Zirconia	Split Sleeve	
2	Silicone Rubber	Red		5	PBT	Blue	
1	Zinc Alloy Die Casting	Cr plating, Black					

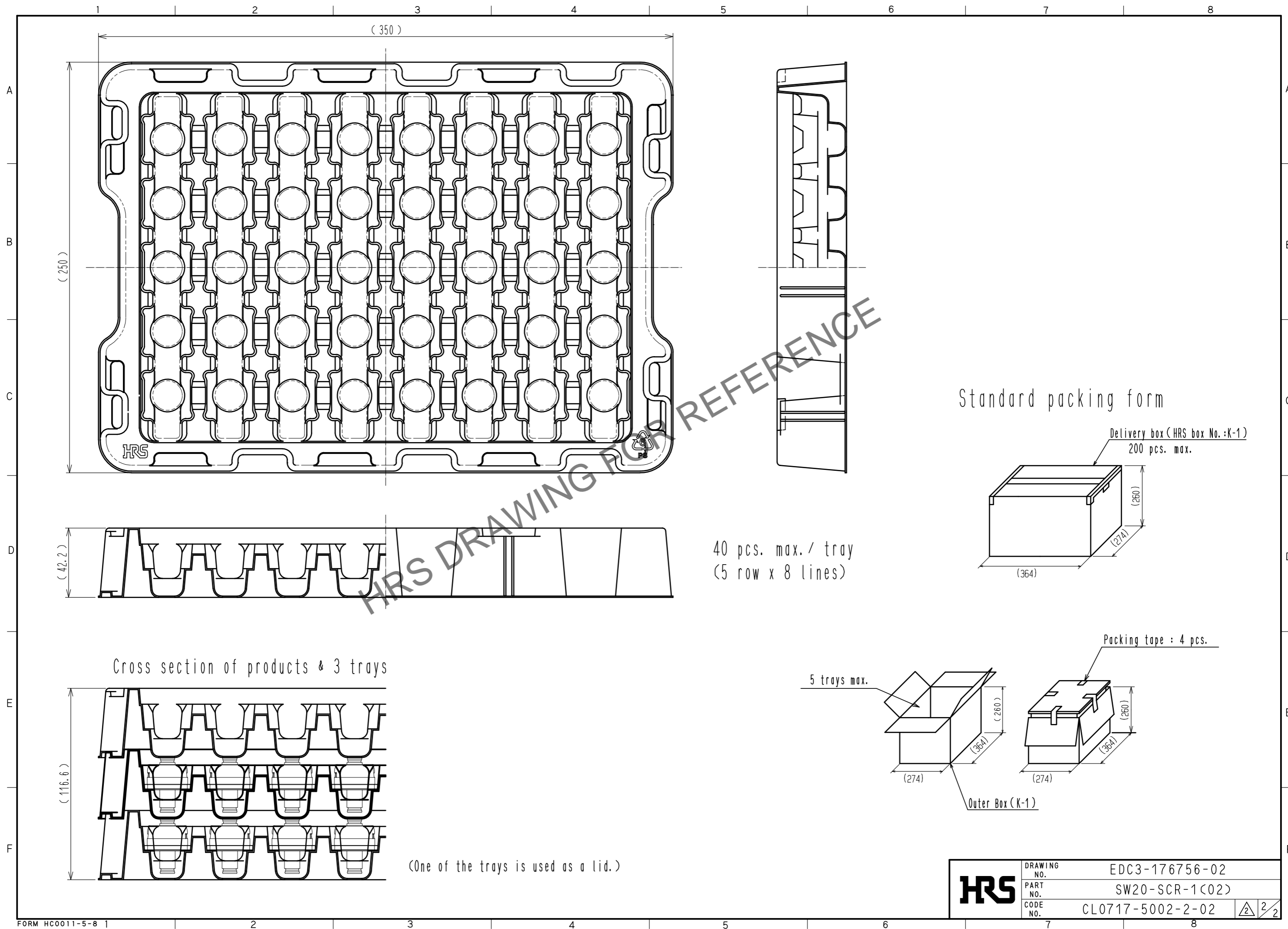
  

UNITS	SCALE	COUNT	DESCRIPTION OF REVISIONS	DESIGNED	CHECKED	DATE
mm	2 : 1	2	DIS-K-00006684	TY. SATO	SJ. SUZUKI	20220624

APPROVED	CHECKED	DESIGNED	DRAWN	DRAWING NO.	PART NO.	CODE NO.
HA. OKANO	YH. MASUZAKI	KS. JOKURA	KS. JOKURA	EDC3-176756-02	SW20-SCR-1(C02)	CL0717-5002-2-02
20090511	20090511	20090509	20090509			

Nov.1.2024 Copyright 2024 HIROSE ELECTRIC CO., LTD. All Rights Reserved.  
 In case of consideration for using Automotive equipment / device which demand high reliability, kindly contact our sales window correspondents.

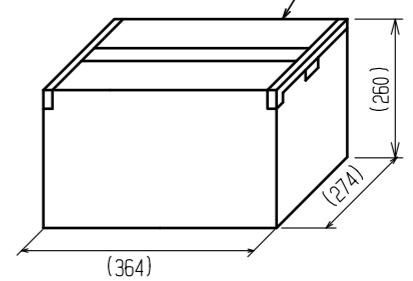


HRS DRAWING FOR REFERENCE

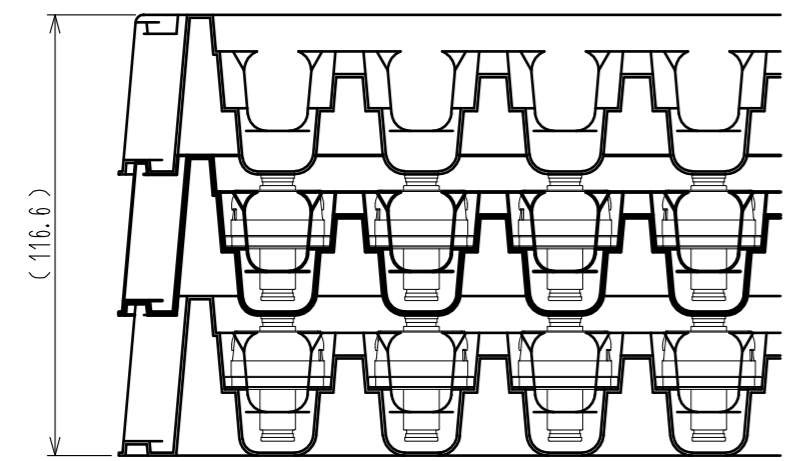
Standard packing form

40 pcs. max. / tray  
 (5 row x 8 lines)

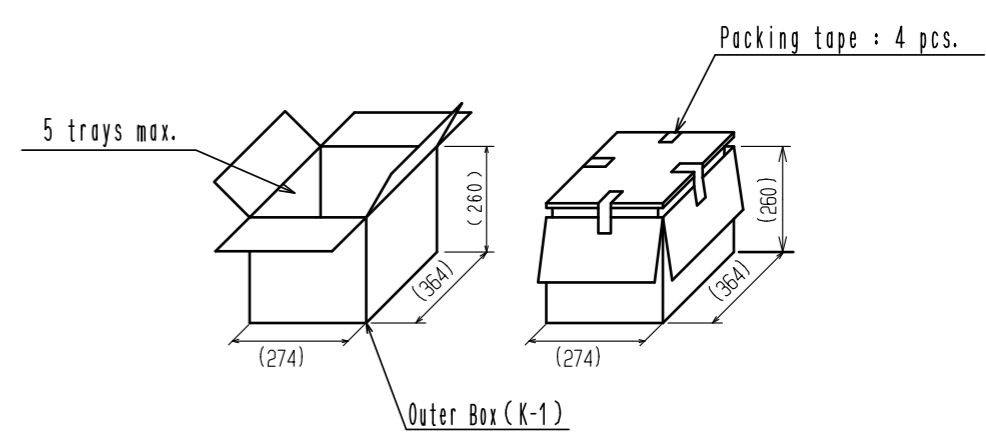
Delivery box (HRS box No.:K-1)  
 200 pcs. max.



Cross section of products & 3 trays



(One of the trays is used as a lid.)



<b>HRS</b>	DRAWING NO.	EDC3-176756-02	
	PART NO.	SW20-SCR-1(02)	
	CODE NO.	CL0717-5002-2-02	2/2