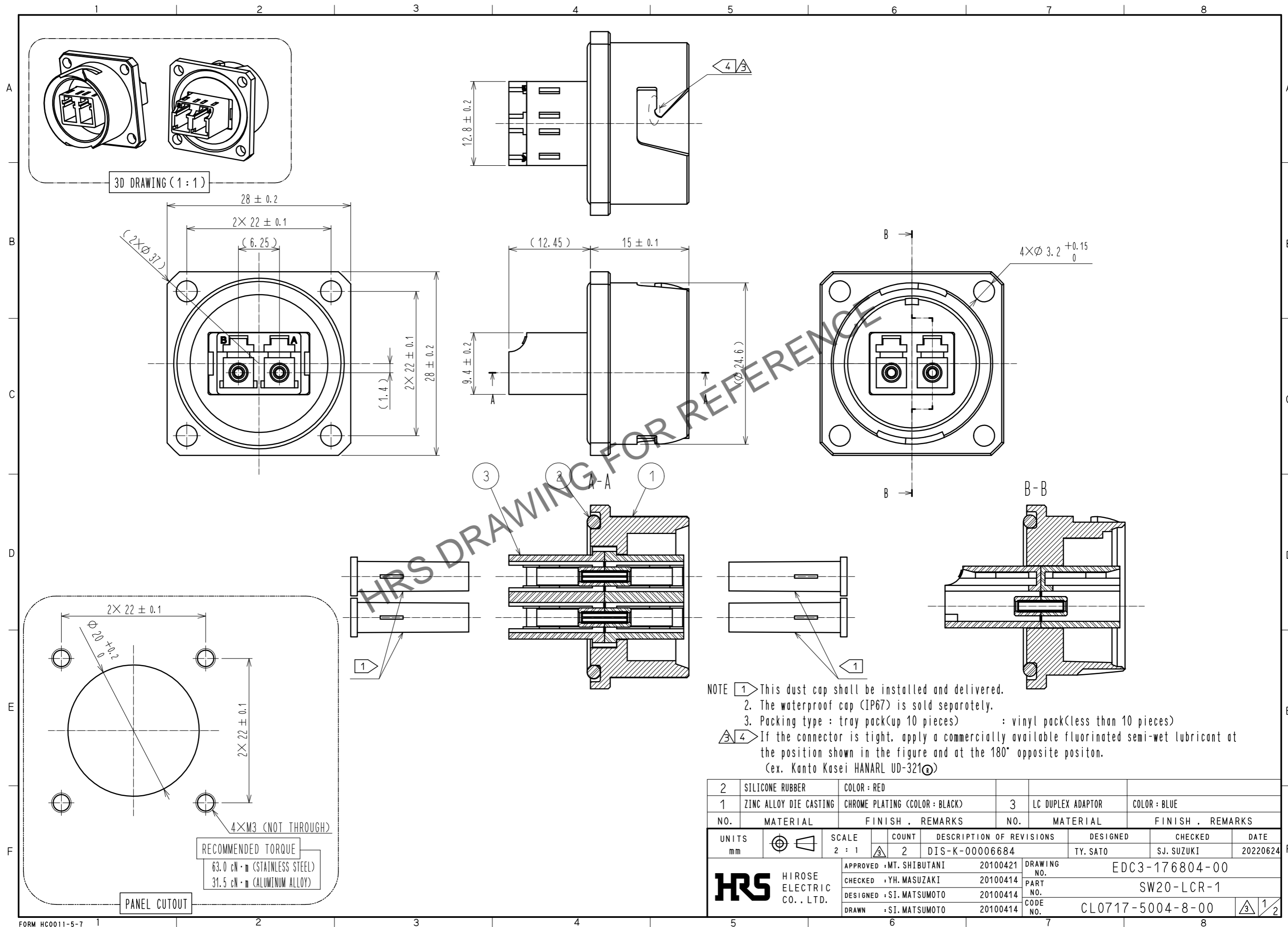
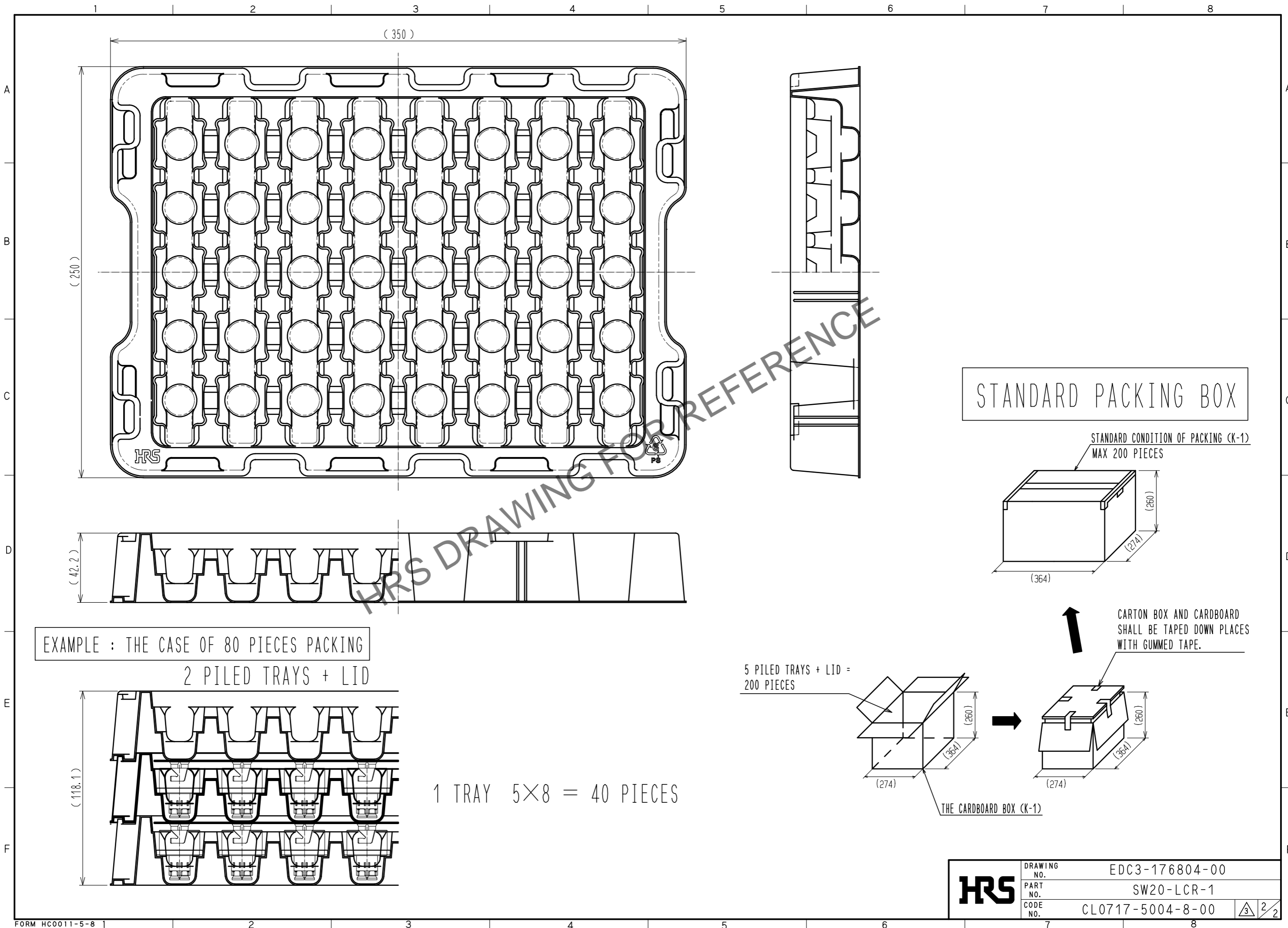


Oct.1.2024 Copyright 2024 HIROSE ELECTRIC CO., LTD. All Rights Reserved.  
 In case of consideration for using Automotive equipment / device which demand high reliability, kindly contact our sales window correspondents.

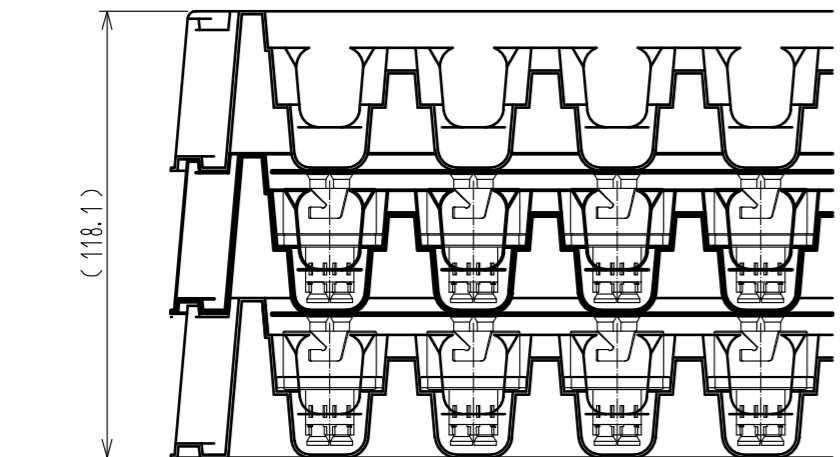


2	SILICONE RUBBER	COLOR : RED		
1	ZINC ALLOY DIE CASTING	CHROME PLATING (COLOR : BLACK)	3	LC DUPLEX ADAPTOR COLOR : BLUE
NO.	MATERIAL	FINISH . REMARKS	NO.	MATERIAL FINISH . REMARKS
UNITS mm		SCALE 2 : 1	COUNT 2	DESCRIPTION OF REVISIONS DIS-K-00006684
APPROVED : MT. SHIBUTANI		20100421	DESIGNED	TY. SATO
CHECKED : YH. MASUZAKI		20100414	CHECKED	SJ. SUZUKI
DESIGNED : SI. MATSUMOTO		20100414	DATE	20220624
DRAWN : SI. MATSUMOTO		20100414	DRAWING NO. EDC3-176804-00	
HRS HIROSE ELECTRIC CO., LTD.		PART NO. SW20-LCR-1		CODE NO. CL0717-5004-8-00

Oct.1.2024 Copyright 2024 HIROSE ELECTRIC CO., LTD. All Rights Reserved.  
 In case of consideration for using Automotive equipment / device which demand high reliability, kindly contact our sales window correspondents.

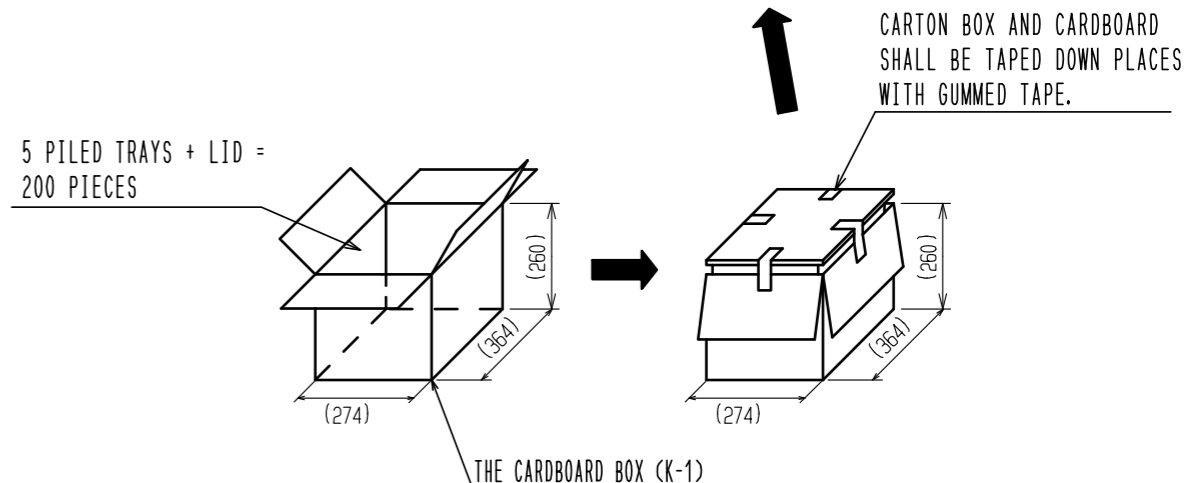
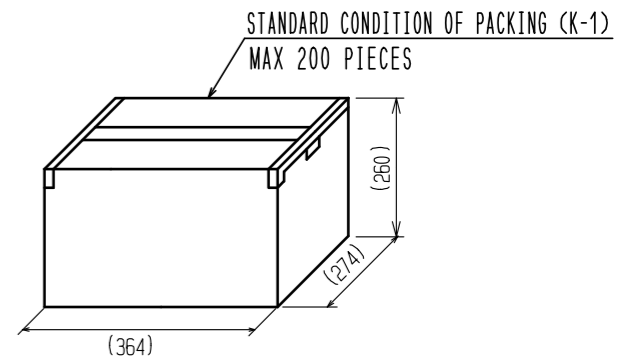


EXAMPLE : THE CASE OF 80 PIECES PACKING  
 2 PILED TRAYS + LID



1 TRAY 5x8 = 40 PIECES

STANDARD PACKING BOX



<b>HRS</b>	DRAWING NO.	EDC3-176804-00	
	PART NO.	SW20-LCR-1	
	CODE NO.	CL0717-5004-8-00	
			3/2