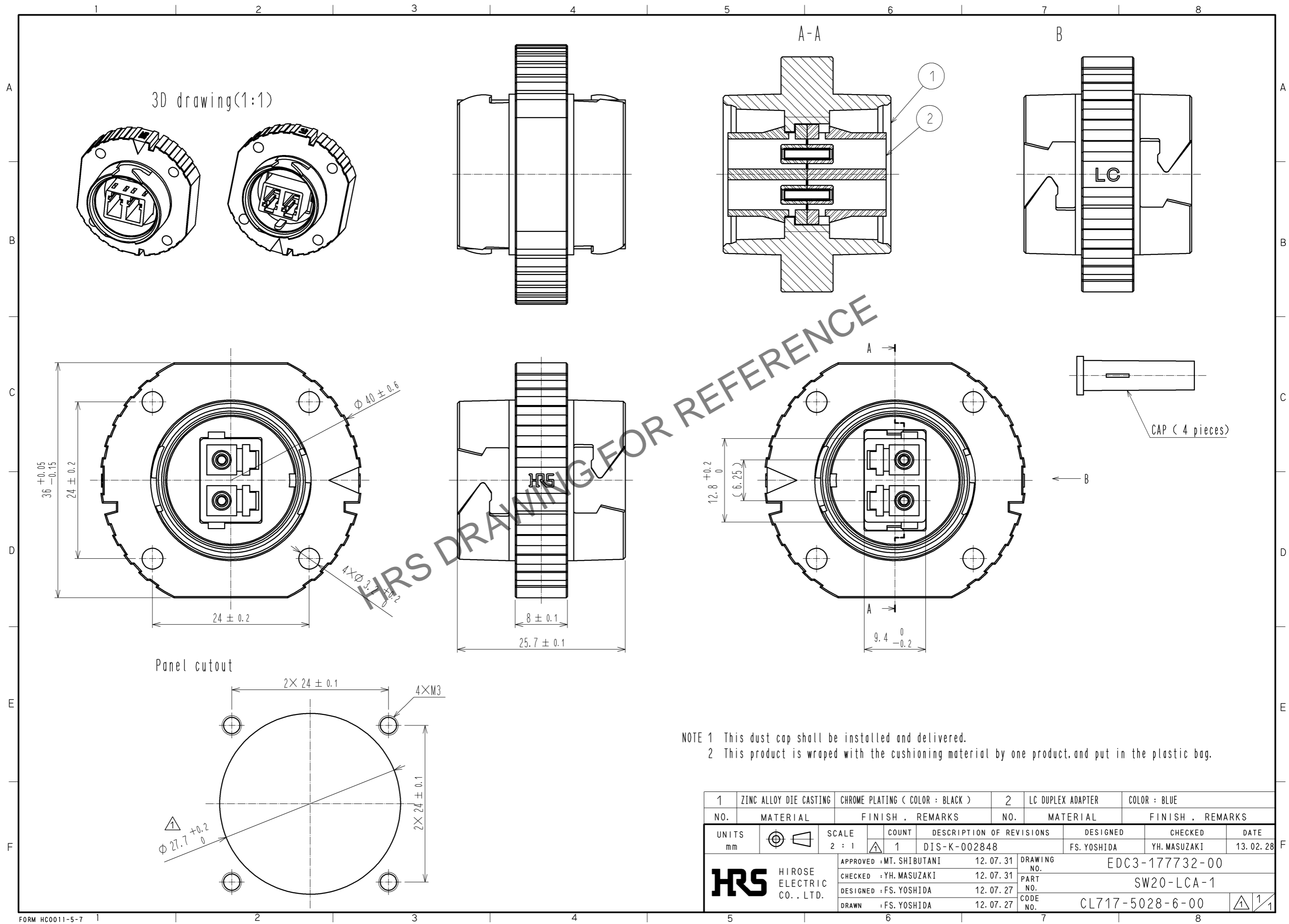


Oct.1.2024 Copyright 2024 HIROSE ELECTRIC CO., LTD. All Rights Reserved.
In case of consideration for using Automotive equipment / device which demand high reliability, kindly contact our sales window correspondents.



NOTE 1 This dust cap shall be installed and delivered.
2 This product is wrapped with the cushioning material by one product, and put in the plastic bag.

1	ZINC ALLOY DIE CASTING	CHROME PLATING (COLOR : BLACK)	2	LC DUPLEX ADAPTER	COLOR : BLUE
NO.	MATERIAL	FINISH . REMARKS	NO.	MATERIAL	FINISH . REMARKS
UNITS mm		SCALE 2 : 1	COUNT 1	DESCRIPTION OF REVISIONS DIS-K-002848	DESIGNED FS. YOSHIDA
		APPROVED : MT. SHIBUTANI	12.07.31	DESIGNED FS. YOSHIDA	CHECKED YH. MASUZAKI
		CHECKED : YH. MASUZAKI	12.07.31	DESIGNED FS. YOSHIDA	DATE 13.02.28
		DESIGNED : FS. YOSHIDA	12.07.27	DRAWING NO. EDC3-177732-00	
		DRAWN : FS. YOSHIDA	12.07.27	PART NO. SW20-LCA-1	
				CODE NO. CL717-5028-6-00	