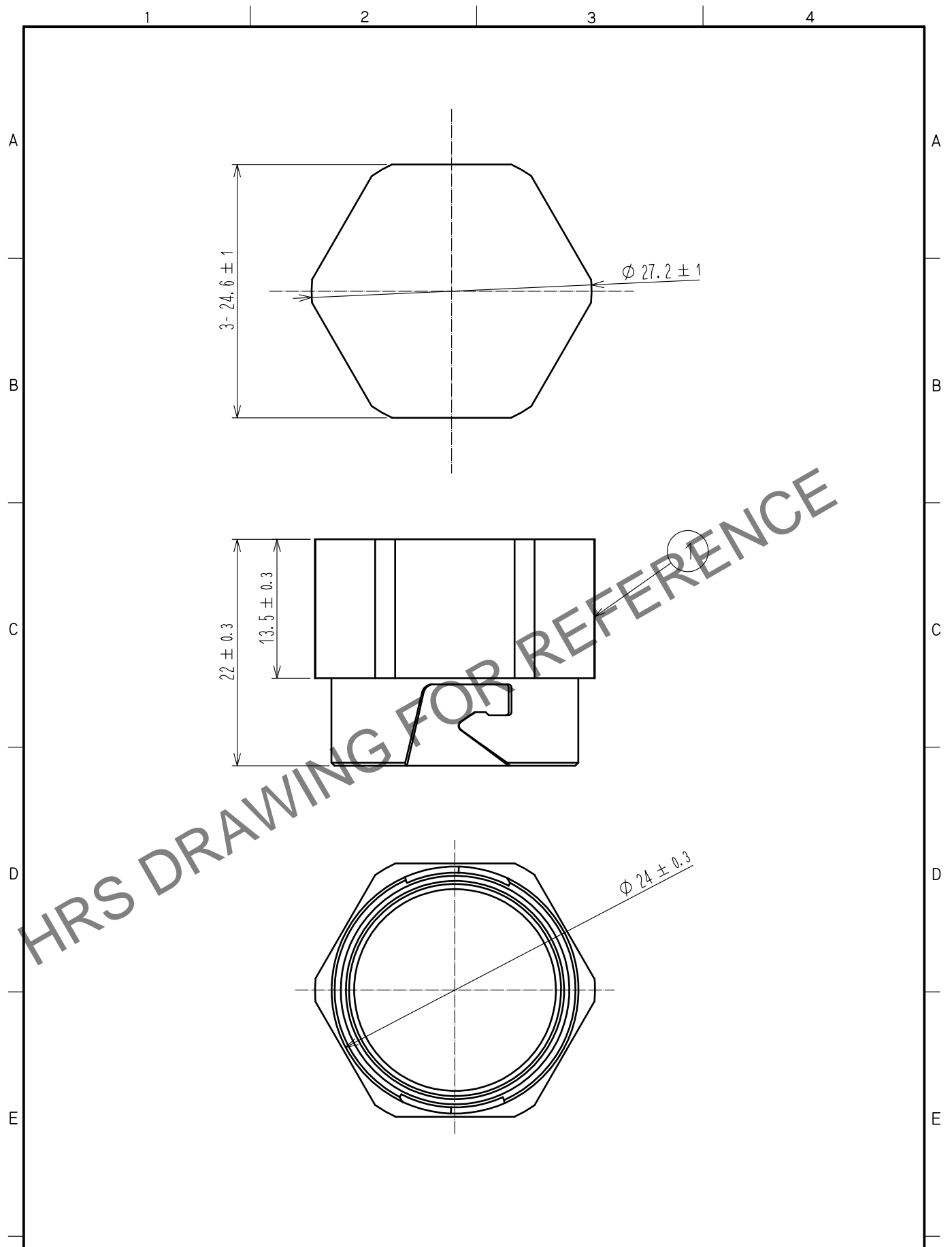


Nov. 1. 2024 Copyright 2024 HIROSE ELECTRIC CO., LTD. All Rights Reserved.
 In case of consideration for using Automotive equipment / device which demand high reliability, kindly contact our sales window correspondents.



1	POM-M	COLOR:BLACK						
NO.	MATERIAL	FINISH .	REMARKS	NO.	MATERIAL	FINISH .	REMARKS	
UNITS mm		SCALE 2 : 1	COUNT 	DESCRIPTION OF REVISIONS		DESIGNED	CHECKED	DATE
HIROSE ELECTRIC CO., LTD.	APPROVED	TS. YAMAZAKI	20190823	DRAWING NO.	EDC-176799-00-00			
	CHECKED	SJ. SUZUKI	20190823	PART NO.	SW20-PC1			
	DESIGNED	FS. YOSHIDA	20190823	CODE NO.	CL717-5500-0-00			
	DRAWN	SU. KURODA	20190823		1/1			