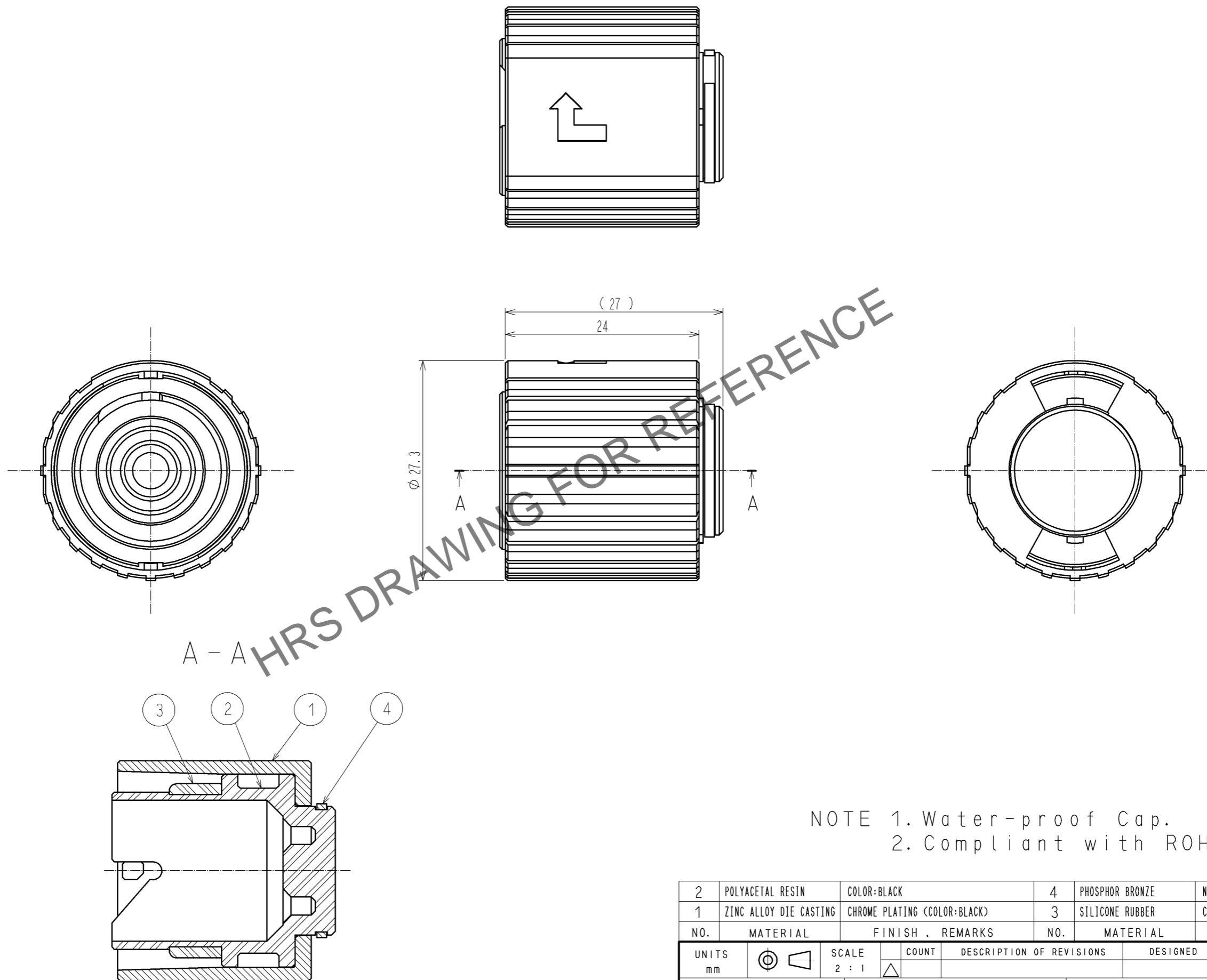


Nov.1.2024 Copyright 2024 HIROSE ELECTRIC CO., LTD. All Rights Reserved.
 In case of consideration for using Automotive equipment / device which demand high reliability, kindly contact our sales window correspondents.



NOTE 1. Water-proof Cap.
 2. Compliant with ROHS.

2	POLYACETAL RESIN	COLOR:BLACK	4	PHOSPHOR BRONZE	NICKEL PLATING
1	ZINC ALLOY DIE CASTING	CHROME PLATING (COLOR:BLACK)	3	SILICONE RUBBER	COLOR:BLACK
NO.	MATERIAL	FINISH . REMARKS	NO.	MATERIAL	FINISH . REMARKS
UNITS		SCALE	COUNT	DESCRIPTION OF REVISIONS	
mm		2 : 1		DESIGNED	CHECKED
HRS HIROSE ELECTRIC CO., LTD.		APPROVED : MT. SHIBUTANI	10.06.03	DRAWING NO. EDC3-176800-01	
		CHECKED : YY. HIYAMA	10.06.03	PART NO. SW20-RC1(01)	
		DESIGNED : YH. MASUZAKI	10.06.03	CODE NO. CL717-5501-2-01	
		DRAWN : YH. MASUZAKI	10.06.03		