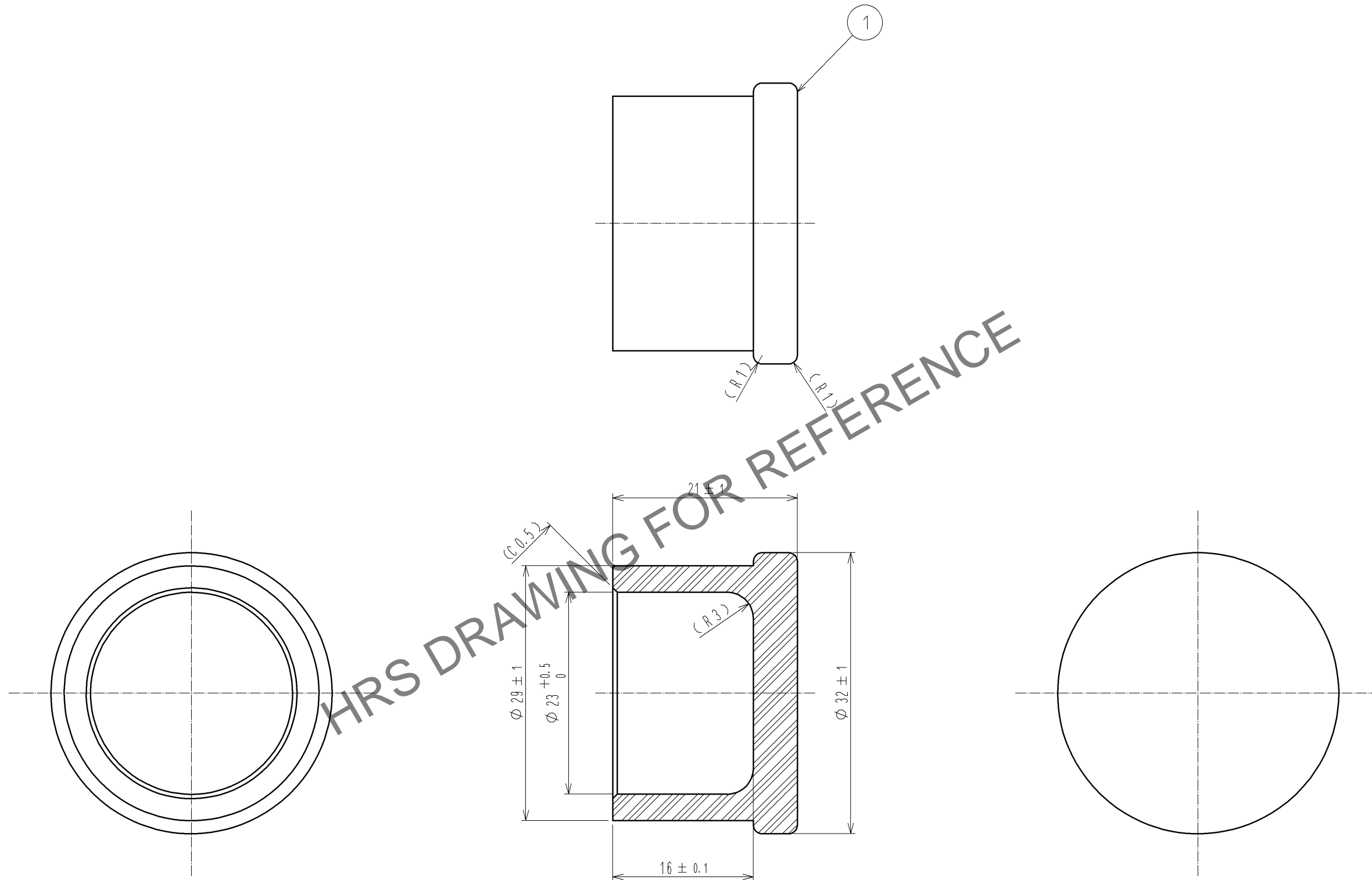


Nov.1.2024 Copyright 2024 HIROSE ELECTRIC CO., LTD. All Rights Reserved.
In case of consideration for using Automotive equipment / device which demand high reliability, kindly contact our sales window correspondents.



NOTE 1. Dust-proof CAP.
2. Compliant with ROHS.

△ Revision is based on a system.

1	SILICONE RUBBER	COLOR:BLACK				
NO.	MATERIAL	FINISH . REMARKS	NO.	MATERIAL	FINISH . REMARKS	
UNITS mm		SCALE 2 : 1	COUNT 1	DESCRIPTION OF REVISIONS DIS-K-002679		DESIGNED SR. TOYOKAWA
HRS HIROSE ELECTRIC CO., LTD.		APPROVED : MT. SHIBUTANI	10.06.03	DRAWING NO. EDC4-176921-00		CHECKED SI. MATSUMOTO
		CHECKED : YY. HIYAMA	10.06.03	PART NO. SW20-RC3		DATE 12.08.06
		DESIGNED : YH. MASUZAKI	10.06.03	CODE NO. CL717-5504-0-00		
		DRAWN : YH. MASUZAKI	10.06.03			