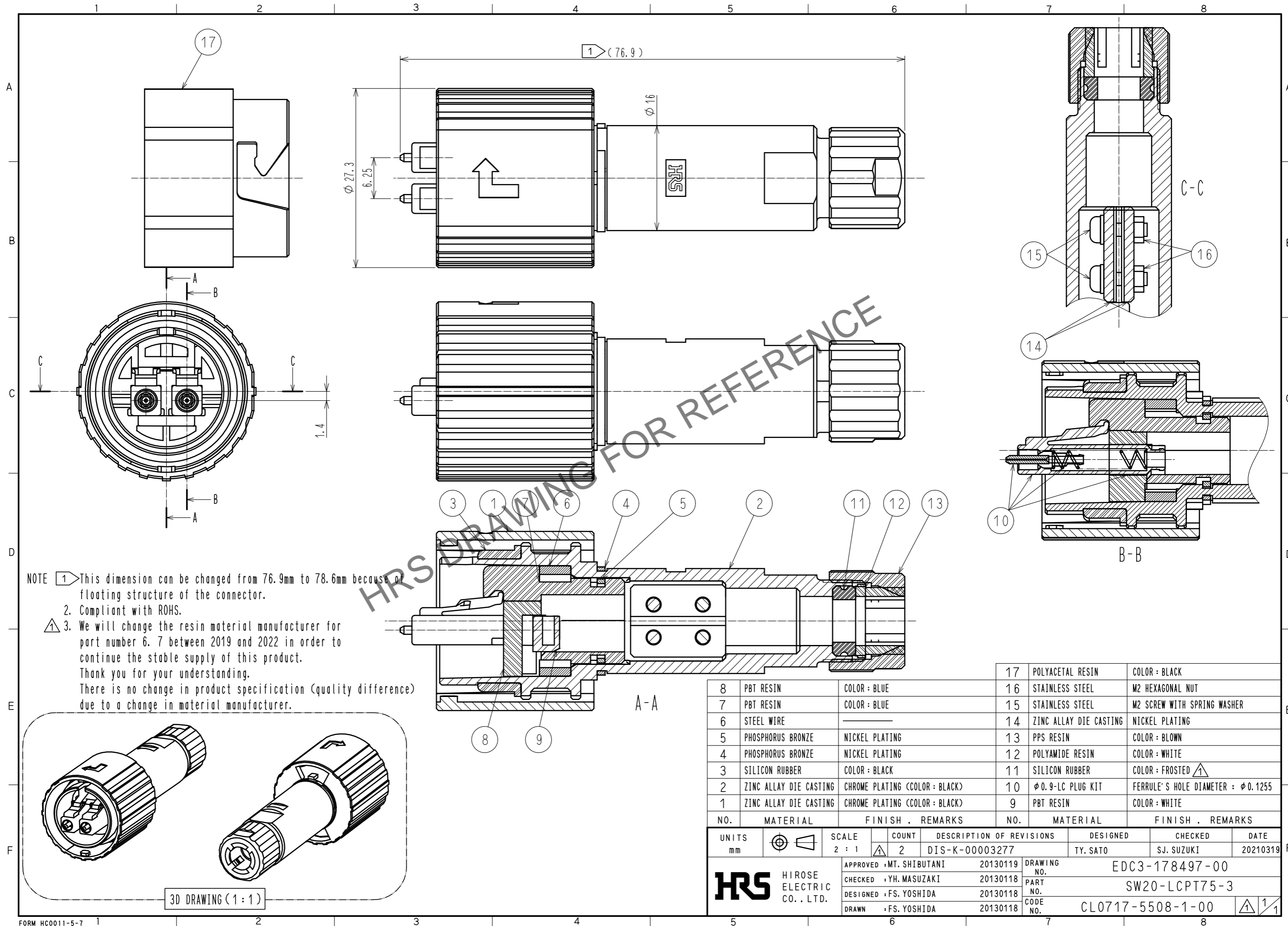


Oct.1.2024 Copyright 2024 HIROSE ELECTRIC CO., LTD. All Rights Reserved.
In case of consideration for using Automotive equipment / device which demand high reliability, kindly contact our sales window correspondents.



NOTE 1 This dimension can be changed from 76.9mm to 78.6mm because of floating structure of the connector.
 2. Compliant with ROHS.
 3. We will change the resin material manufacturer for part number 6, 7 between 2019 and 2022 in order to continue the stable supply of this product. Thank you for your understanding. There is no change in product specification (quality difference) due to a change in material manufacturer.

8	PBT RESIN	COLOR : BLUE	17	POLYACETAL RESIN	COLOR : BLACK
7	PBT RESIN	COLOR : BLUE	16	STAINLESS STEEL	M2 HEXAGONAL NUT
6	STEEL WIRE	---	15	STAINLESS STEEL	M2 SCREW WITH SPRING WASHER
5	PHOSPHORUS BRONZE	NICKEL PLATING	14	ZINC ALLAY DIE CASTING	NICKEL PLATING
4	PHOSPHORUS BRONZE	NICKEL PLATING	13	PPS RESIN	COLOR : BLOWN
3	SILICON RUBBER	COLOR : BLACK	12	POLYAMIDE RESIN	COLOR : WHITE
2	ZINC ALLAY DIE CASTING	CHROME PLATING (COLOR : BLACK)	11	SILICON RUBBER	COLOR : FROSTED ¹
1	ZINC ALLAY DIE CASTING	CHROME PLATING (COLOR : BLACK)	10	φ0.9-LC PLUG KIT	FERRULE'S HOLE DIAMETER : φ0.1255
			9	PBT RESIN	COLOR : WHITE
NO.	MATERIAL	FINISH . REMARKS	NO.	MATERIAL	FINISH . REMARKS

UNITS	SCALE	COUNT	DESCRIPTION OF REVISIONS	DESIGNED	CHECKED	DATE
mm	2 : 1	2	DIS-K-00003277	TY. SATO	SJ. SUZUKI	20210319

APPROVED	MT. SHIBUTANI	20130119	DRAWING NO.	EDC3-178497-00
CHECKED	YH. MASUZAKI	20130118	PART NO.	SW20-LCPT75-3
DESIGNED	FS. YOSHIDA	20130118	CODE NO.	CL0717-5508-1-00
DRAWN	FS. YOSHIDA	20130118		

