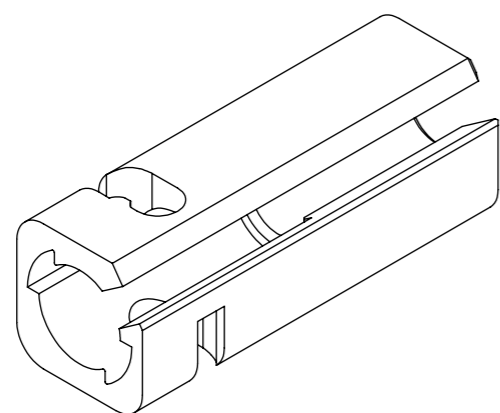
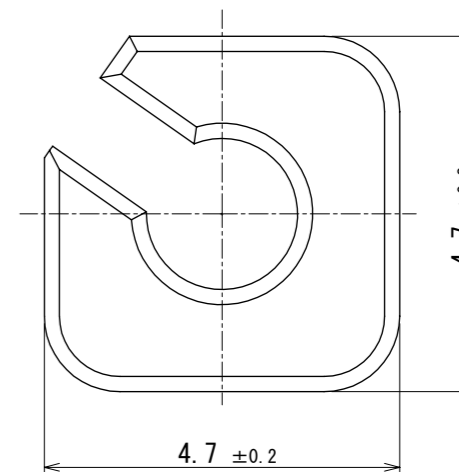
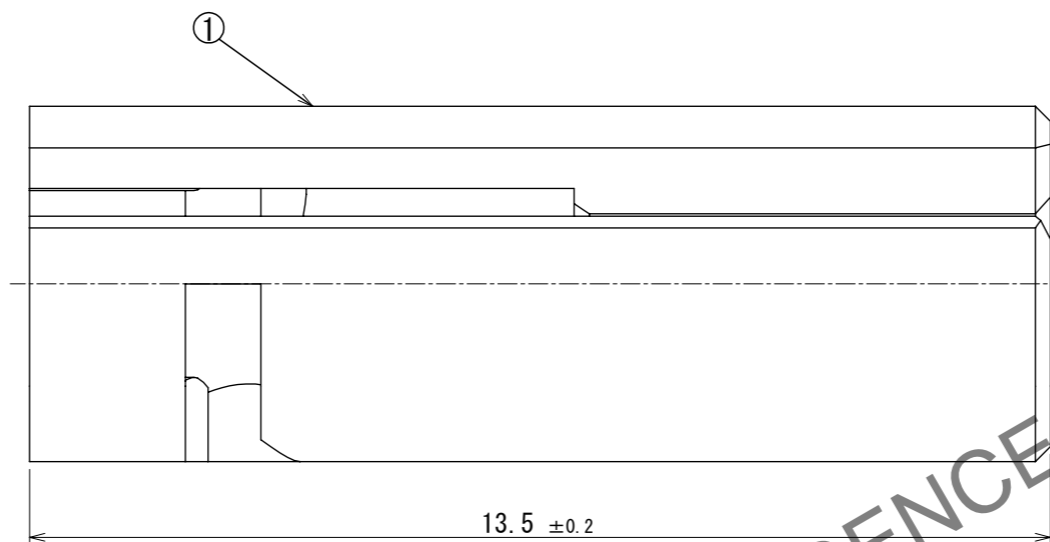
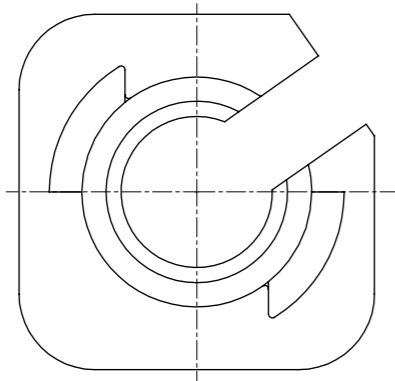


Oct.1.2024 Copyright 2024 HIROSE ELECTRIC CO., LTD. All Rights Reserved.
 In case of consideration for using Automotive equipment / device which demand high reliability, kindly contact our sales window correspondents.



3D view (5 : 1)

HRS DRAWING FOR REFERENCE

Note 1. Table1 shows the parts list.

- △ 2. Molded part may contain air bubbles in the resin and may vary in color, but this does not affect performance.
- 3. 1 pack : 100pcs

Table1. Parts list

No.	Parts name	Details	NOTE
①	FJ-L jack	PESU	Matching Housing FJ-L plug

NO.	MATERIAL	FINISH	REMARKS	NO.	MATERIAL	FINISH	REMARKS	
UNITS mm		SCALE 10:1	COUNT △ 1	DESCRIPTION OF REVISIONS DIS-K-00009606		DESIGNED SI. MATSUMOTO	CHECKED TS. YAMAZAKI	DATE 2023. 09. 15
HRS HIROSE ELECTRIC CO., LTD.		APPROVED : YY. HIYAMA	2023. 01. 18	DRAWING NO. EDC-401258-00-00				
		CHECKED : TS. YAMAZAKI	2023. 01. 18	PART NO. FJ-L-J-1				
		DESIGNED : SI. MATSUMOTO	2023. 01. 18	CODE NO. CL0719-1101-0-00				
		DRAWN : SK. AOYAMA	2023. 01. 18			△ 1/1		