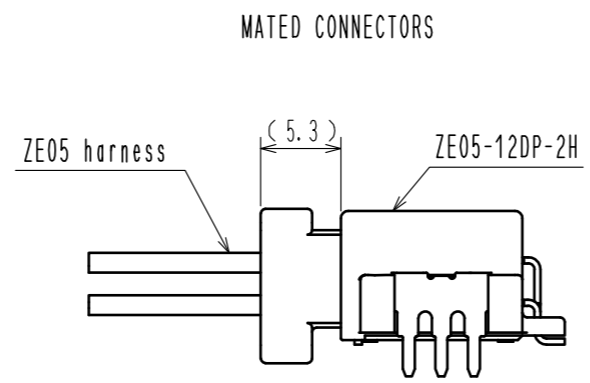
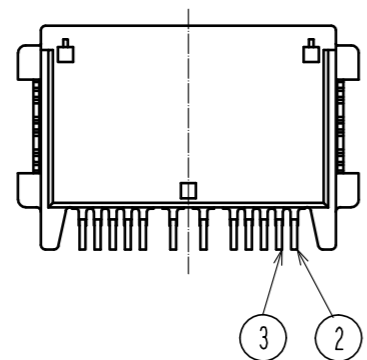
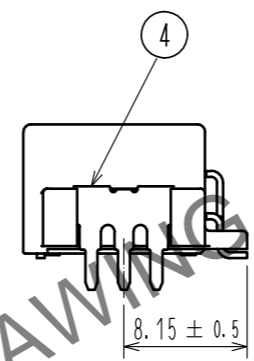
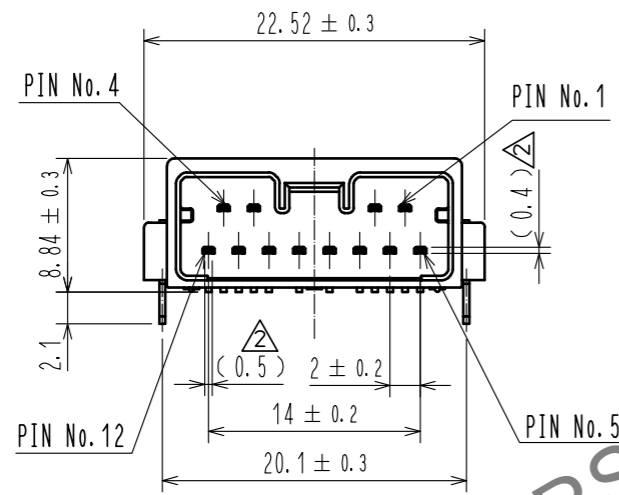
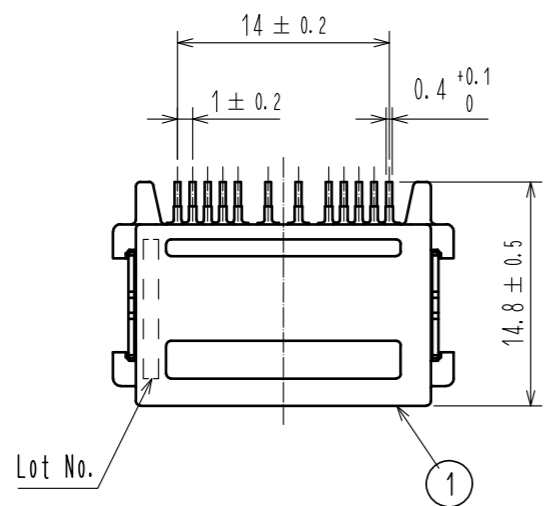
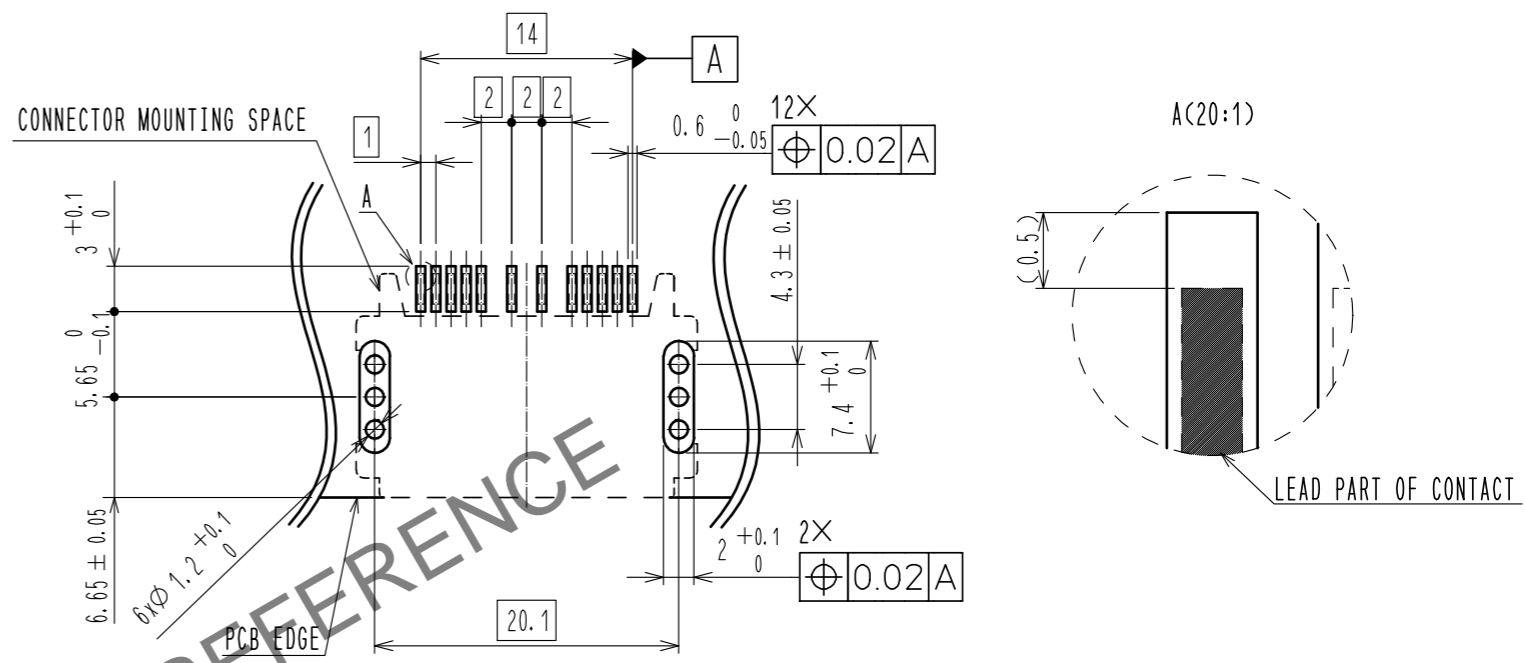


Nov.1.2024 Copyright 2024 HIROSE ELECTRIC CO., LTD. All Rights Reserved.  
In case of consideration for using Automotive equipment / device which demand high reliability, kindly contact our sales window correspondents.

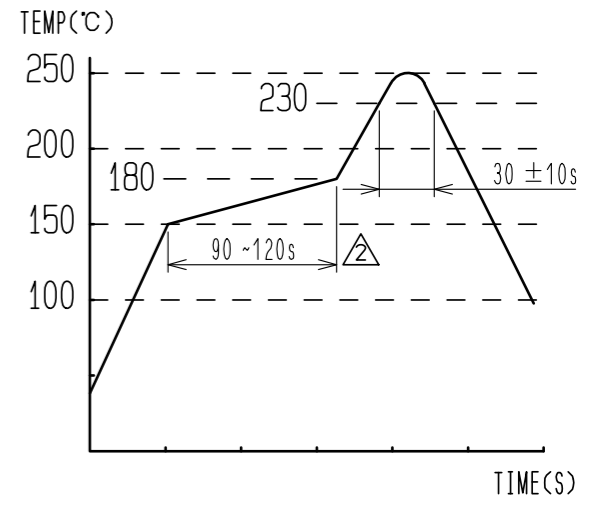
ELV, RoHS COMPLIANT



RECOMMENDED PCB PATTERN



- NOTE 1. RECOMMENDED TEMPERATURE PROFILE FOR REFLOW (REFER TO RIGHT FIG.) USED REFLOW SYSTEM  
 : IR IN THE AIR OR NITROGEN  
 NO. OF CYCLES : 2 MAX  
 PEAK : 250°C  
 OVER 230°C : 20~40s  
 PREHEAT : 150~180°C  
 90~120s
2. TEMPERATURE FOR SOLDERING IRON : 280~300°C WITHIN 2s
3. CO-PLANARITY SHALL BE 0.1mm MAX.
4. RECOMMENDED PCB THICKNESS IS 1.6mm.
5. RECOMMENDED SOLDER THICKNESS IS 0.15mm.

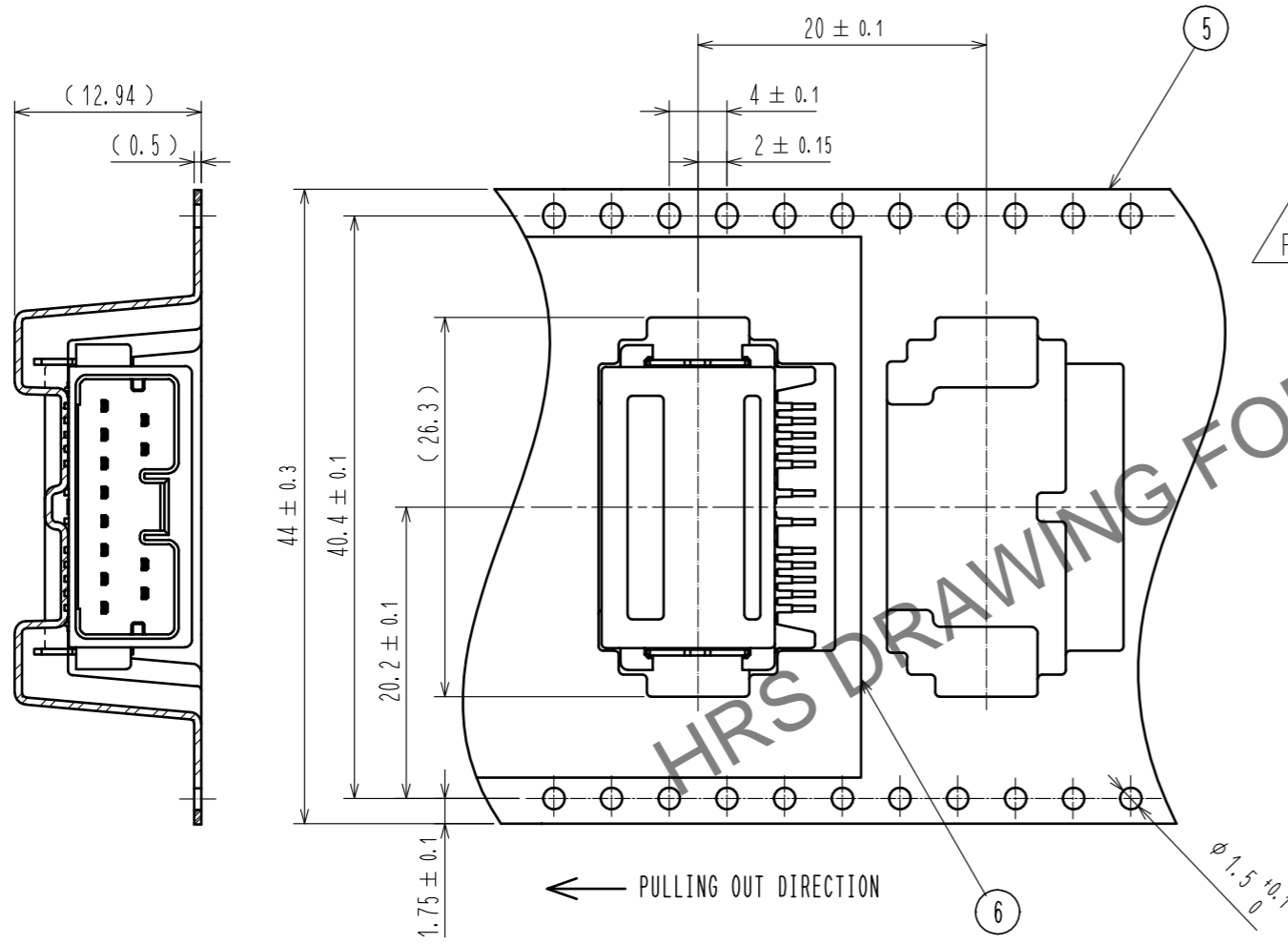


3	BRASS	SURFACE PLATING : TIN PLATING 1μm min					
		UNDER PLATING : NICKEL 1μm min	6	POLYESTER			
2	BRASS	SURFACE PLATING : TIN PLATING 1μm min	5	POLYSTYRENE			
		UNDER PLATING : NICKEL 1μm min			SURFACE PLATING : TIN PLATING 1μm min		
1	PA	BLACK UL94V-0	4	BRASS	UNDER PLATING : NICKEL 1μm min		
NO.	MATERIAL	FINISH . REMARKS	NO.	MATERIAL	FINISH . REMARKS		
UNITS	mm	SCALE	COUNT	DESCRIPTION OF REVISIONS	DESIGNED	CHECKED	DATE
		2 : 1	6	DIS-T-00003979	YONGMUN LEE	HH. TSUKUMO	20181119
APPROVED : HK. UMEHARA		20170912		DRAWING NO. EDC-368630-00-00			
CHECKED : HK. UMEHARA		20170912		PART NO. ZE05-12DP-2H			
DESIGNED : AH. EDASHIGE		20170911		CODE NO. CL752-2104-0-00			
DRAWN : MN. SATOH		20170911					

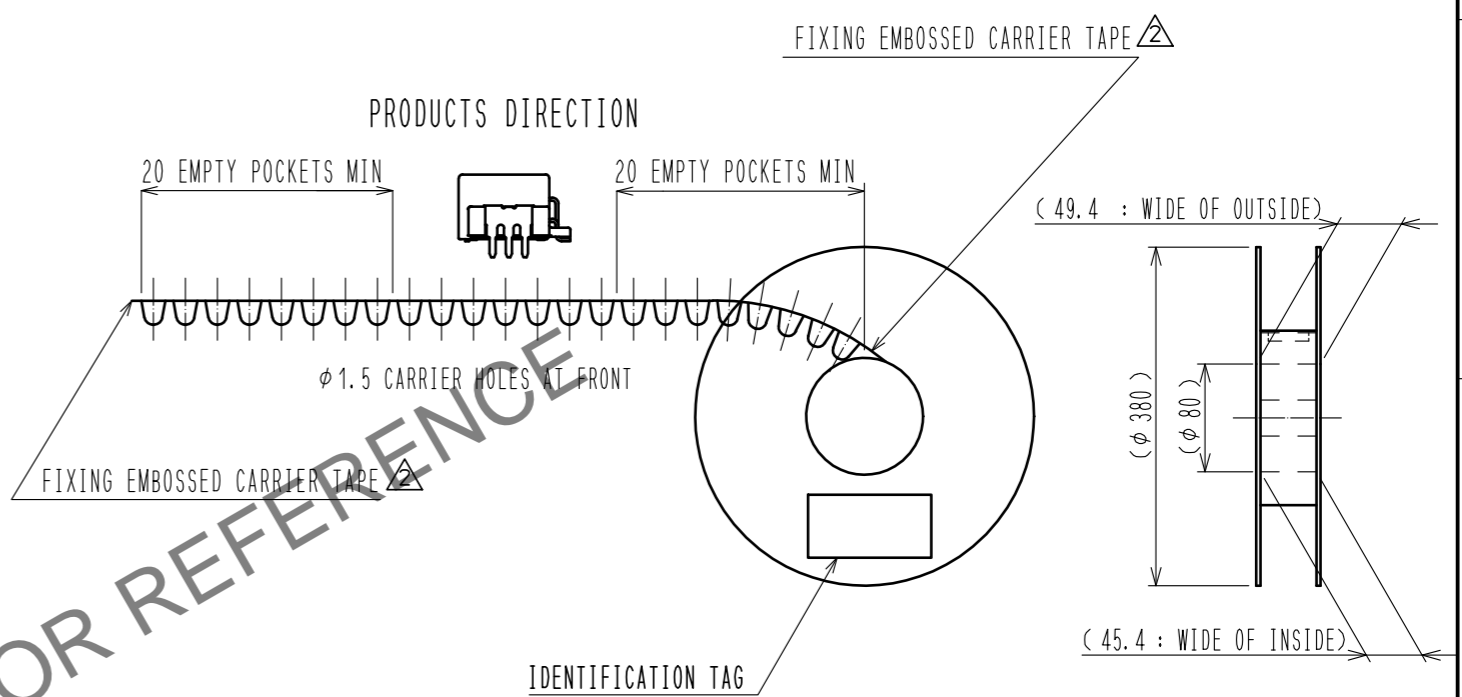
Nov.1.2024 Copyright 2024 HIROSE ELECTRIC CO., LTD. All Rights Reserved.  
In case of consideration for using Automotive equipment / device which demand high reliability, kindly contact our sales window correspondents.

# PACKING STYLE

## PACKING STYLE DRAWING



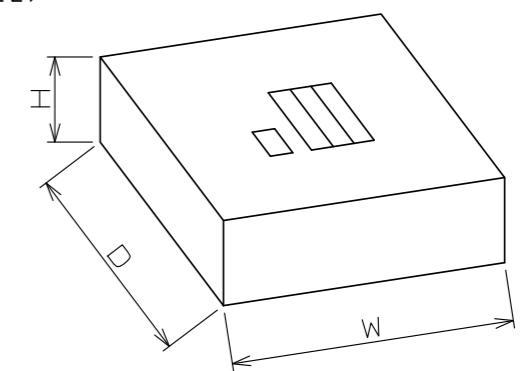
## REEL DIMENSION (FREE)



300 PCS/REEL

## CARDBOARD DIMENSION (FREE)

W=(405) (mm)  
D=(405) (mm)  
H=(51) (mm)



HRS DRAWING FOR REFERENCE

<b>HRS</b>	DRAWING NO.	EDC-368630-00-00	2/2
	PART NO.	ZE05-12DP-2H	
	CODE NO.	CL752-2104-0-00	