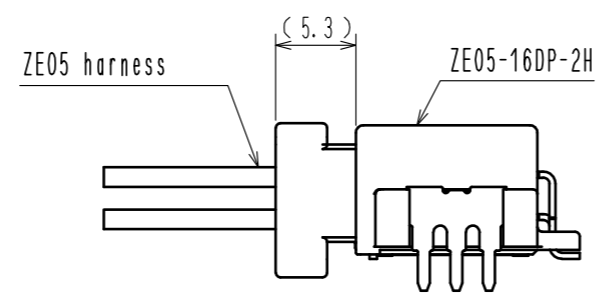
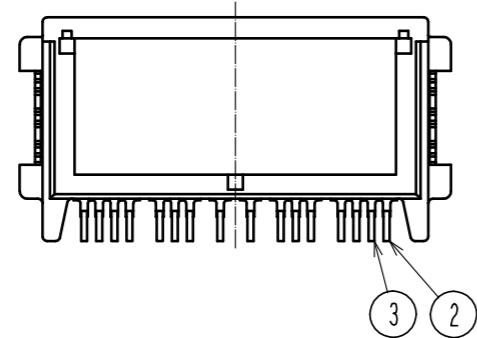
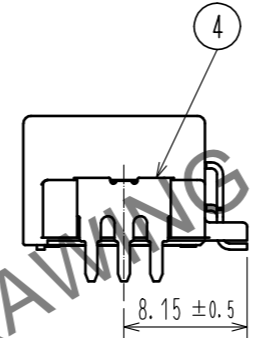
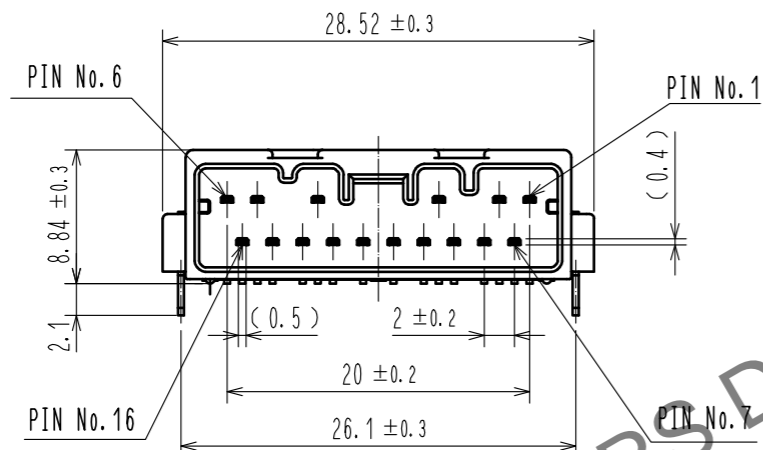
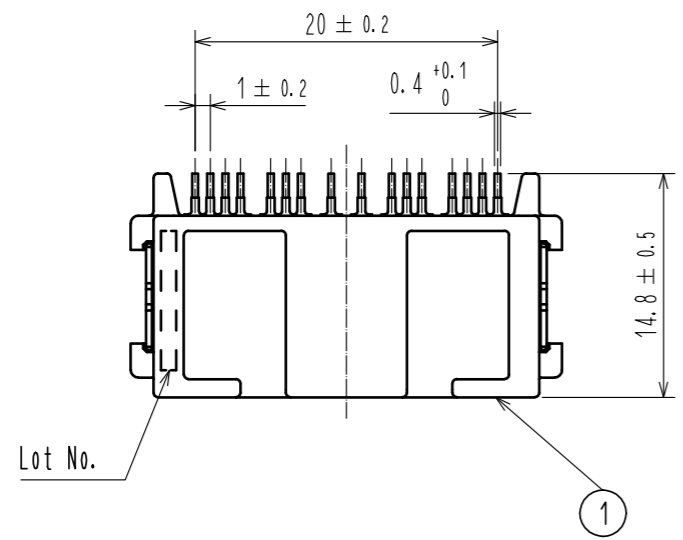
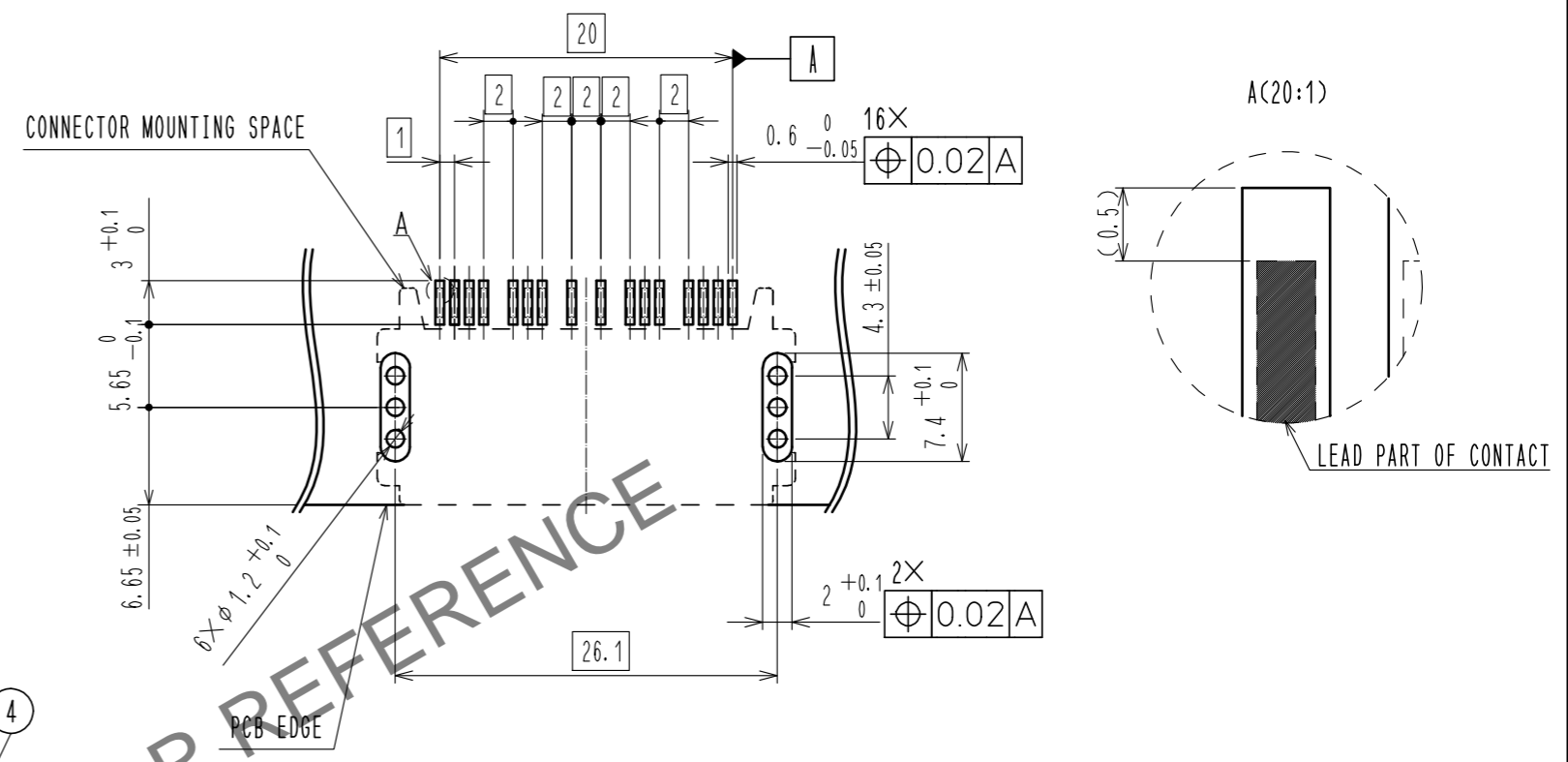


Oct.1.2024 Copyright 2024 HIROSE ELECTRIC CO., LTD. All Rights Reserved.  
In case of consideration for using Automotive equipment / device which demand high reliability, kindly contact our sales window correspondents.

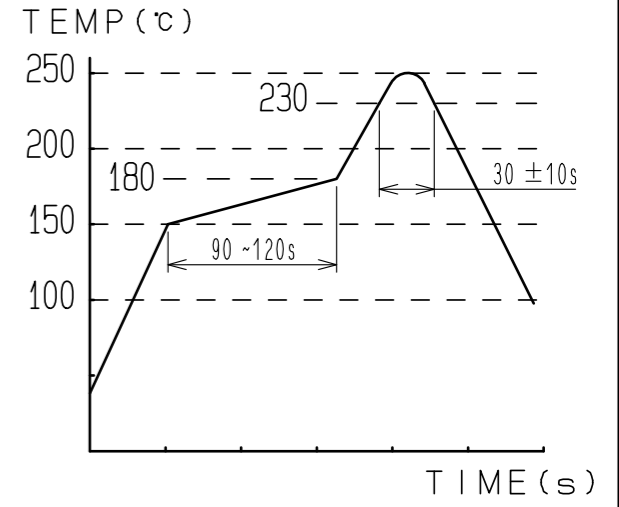
ELV, RoHS COMPLIANT



RECOMMENDED PCB PATTERN



- NOTE 1. RECOMMENDED TEMPERATURE PROFILE FOR REFLOW (REFER TO RIGHT FIG.) USED REFLOW SYSTEM
- : IR IN THE AIR OR NITROGEN
  - NO. OF CYCLES : 2 MAX
  - PEAK : 250°C
  - OVER 230°C : 20~40s
  - PREHEAT : 150~180°C 90~120s
2. TEMPERATURE FOR SOLDERING IRON : 280~300°C WITHIN 2s
3. CO-PLANARITY SHALL BE 0.1mm MAX.
4. RECOMMENDED PCB THICKNESS IS 1.6mm.
5. RECOMMENDED SOLDER THICKNESS IS 0.15mm.



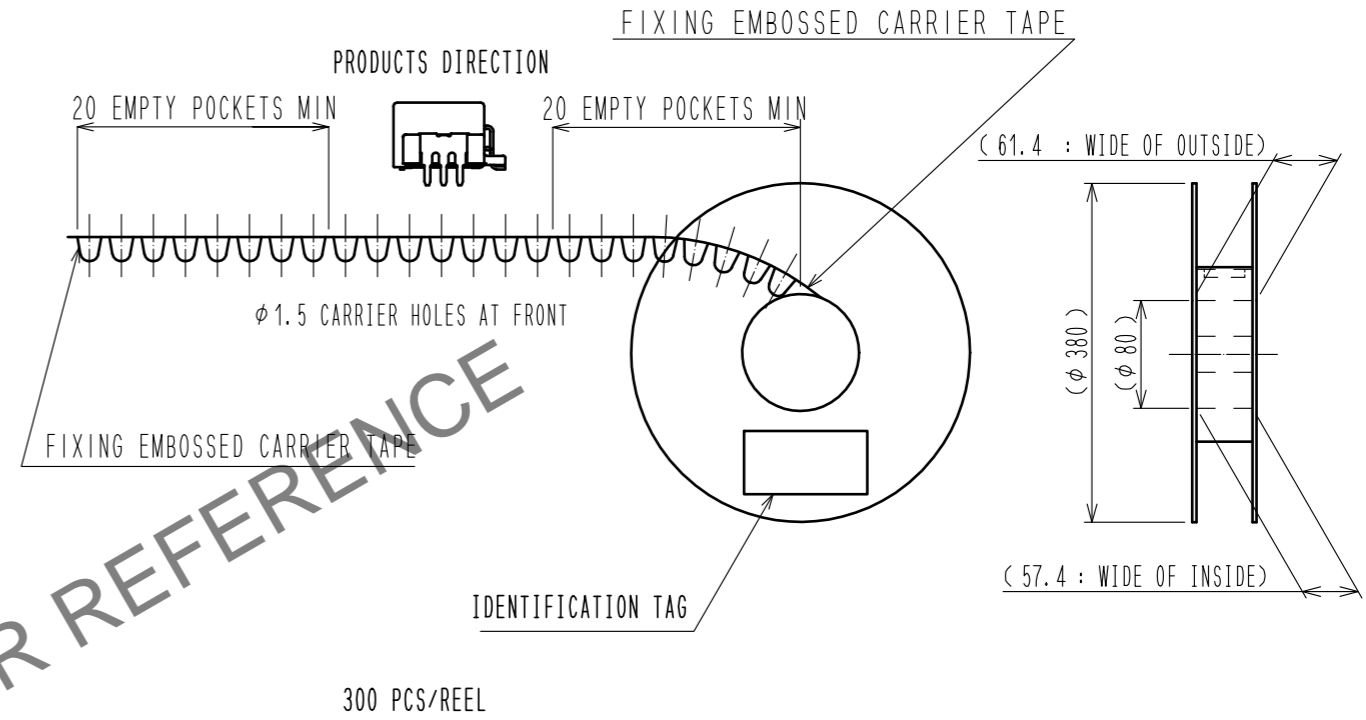
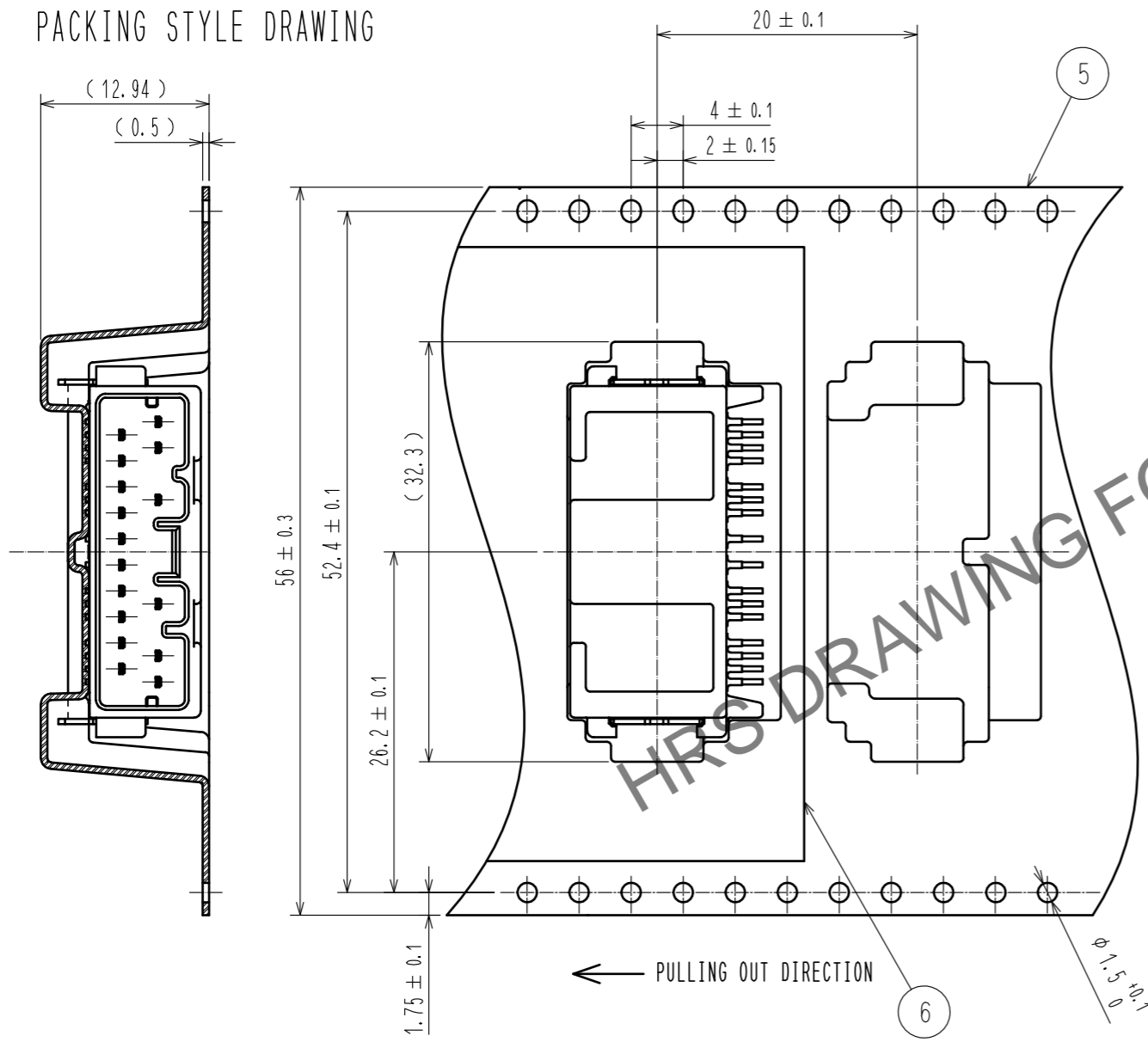
3	BRASS	SURFACE PLATING : TIN PLATING 1μm min			
		UNDER PLATING : NICKEL 1μm min	6	POLYESTER	
2	BRASS	SURFACE PLATING : TIN PLATING 1μm min	5	POLYSTYRENE	
		UNDER PLATING : NICKEL 1μm min			
1	PA	BLACK UL94V-0	4	BRASS	SURFACE PLATING : TIN PLATING 1μm min
					UNDER PLATING : NICKEL 1μm min
NO.	MATERIAL	FINISH . REMARKS	NO.	MATERIAL	FINISH . REMARKS
UNITS	mm	SCALE	2 : 1	COUNT	DESCRIPTION OF REVISIONS
					DESIGNED
					CHECKED
					DATE
APPROVED : HK. UMEHARA		20190607	DRAWING NO. EDC-368631-00-00		
CHECKED : HK. UMEHARA		20190607	PART NO. ZE05-16DP-2H		
DESIGNED : YH. MAMADA		20190607	CODE NO. CL752-2105-0-00		
DRAWN : MINTAE KANG		20190607			

Oct.1.2024 Copyright 2024 HIROSE ELECTRIC CO., LTD. All Rights Reserved.  
 In case of consideration for using Automotive equipment / device which demand high reliability, kindly contact our sales window correspondents.

# PACKING STYLE

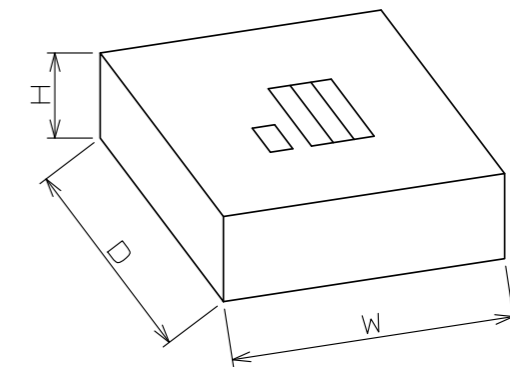
# REEL DIMENSION (FREE)

## PACKING STYLE DRAWING



# CARDBOARD DIMENSION (FREE)

W=(405) (mm)  
 D=(405) (mm)  
 H=(63) (mm)



HRS DRAWING FOR REFERENCE

<b>HRS</b>	DRAWING NO.	EDC-368631-00-00
	PART NO.	ZE05-16DP-2H
	CODE NO.	CL752-2105-0-00
		2/2