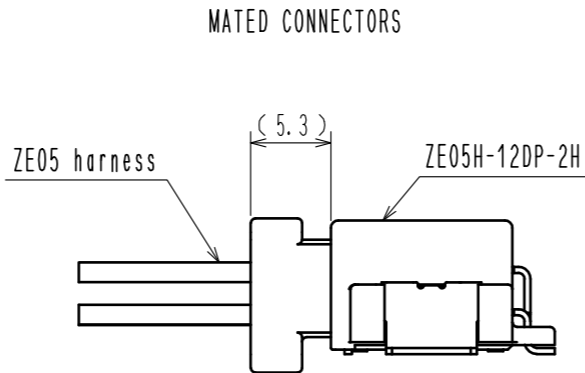
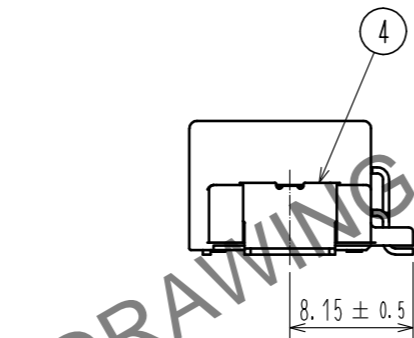
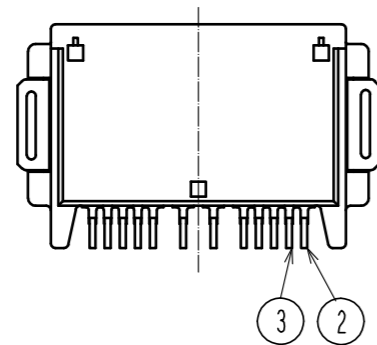
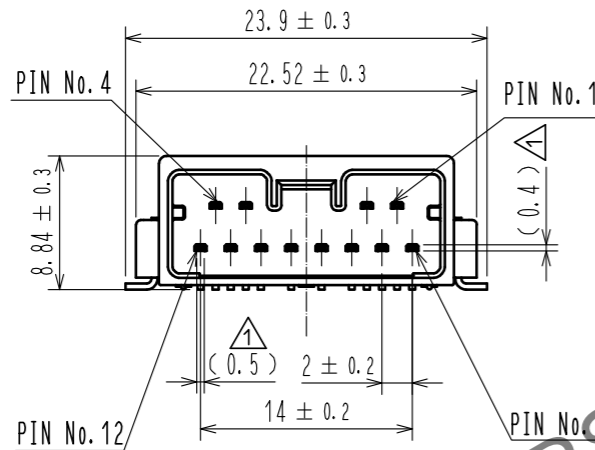
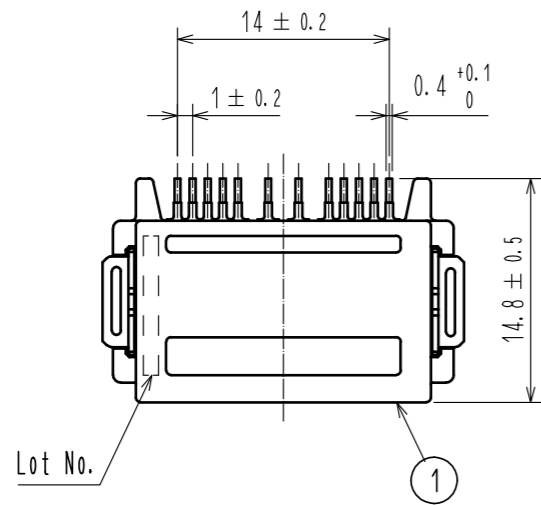
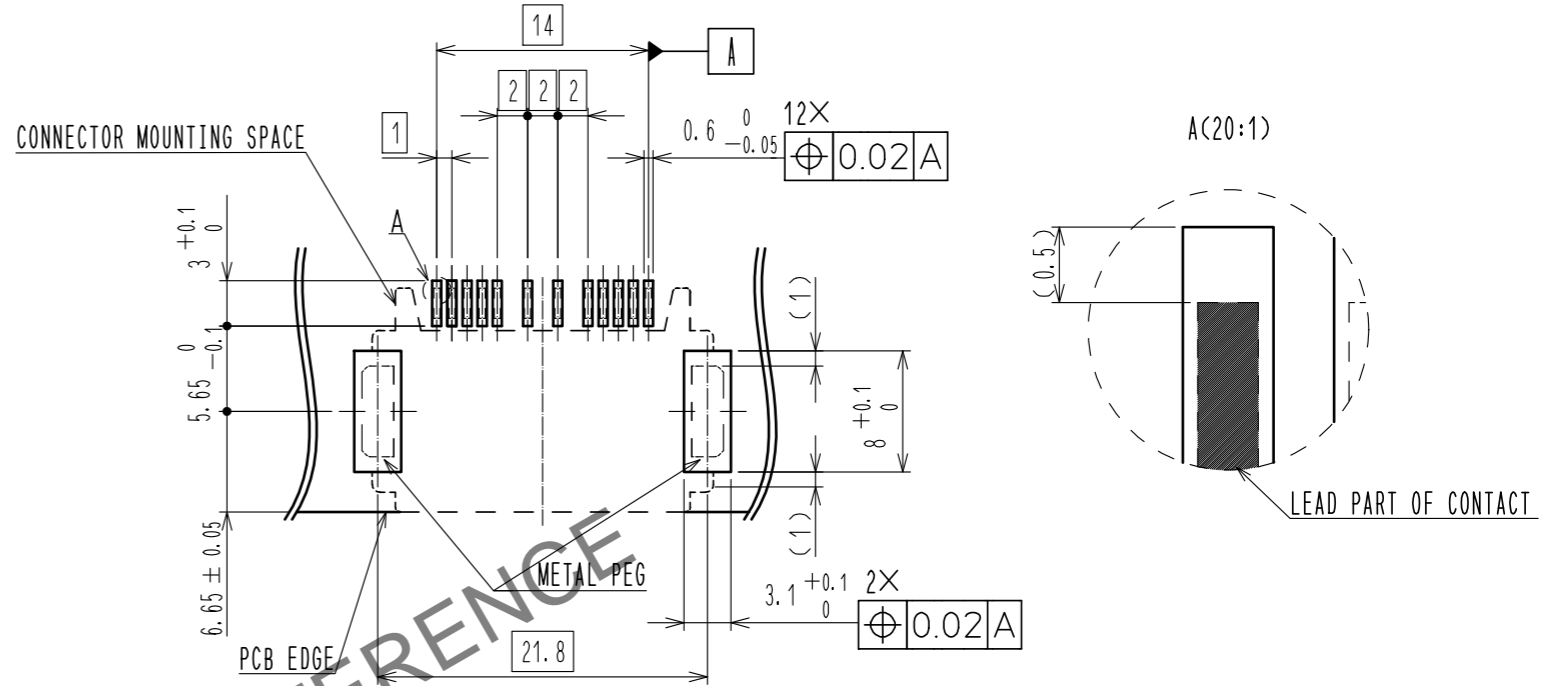


Apr.1.2025 Copyright 2025 HIROSE ELECTRIC CO., LTD. All Rights Reserved.
In case of consideration for using Automotive equipment / device which demand high reliability, kindly contact our sales window correspondents.

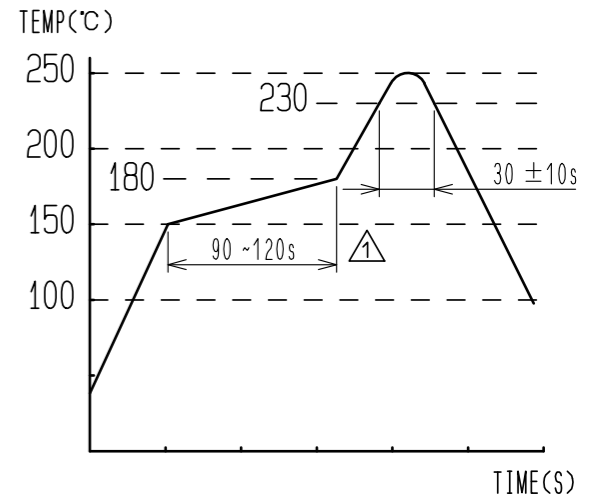
ELV, RoHS COMPLIANT



RECOMMENDED PCB PATTERN



- NOTE 1. RECOMMENDED TEMPERATURE PROFILE FOR REFLOW (REFER TO RIGHT FIG.) USED REFLOW SYSTEM : IR IN THE AIR OR NITROGEN
 NO. OF CYCLES : 2 MAX
 PEAK : 250°C
 OVER 230°C : 20~40s
 PREHEAT : 150~180°C 90~120s Δ
 2. TEMPERATURE FOR SOLDERING IRON : 280~300°C WITHIN 2s
 3. CO-PLANARITY SHALL BE 0.1mm MAX.
 4. RECOMMENDED PCB THICKNESS IS 1.6mm.
 5. RECOMMENDED SOLDER THICKNESS IS 0.15mm.



3	BRASS	SURFACE PLATING : TIN PLATING 1μm min			
		UNDER PLATING : NICKEL 1μm min	6	POLYSTYRENE	
2	BRASS	SURFACE PLATING : TIN PLATING 1μm min	5	POLYSTYRENE	
		UNDER PLATING : NICKEL 1μm min			SURFACE PLATING : TIN PLATING 1μm min
1	PA	BLACK UL94V-0	4	BRASS	UNDER PLATING : NICKEL 1μm min
NO.	MATERIAL	FINISH . REMARKS	NO.	MATERIAL	FINISH . REMARKS

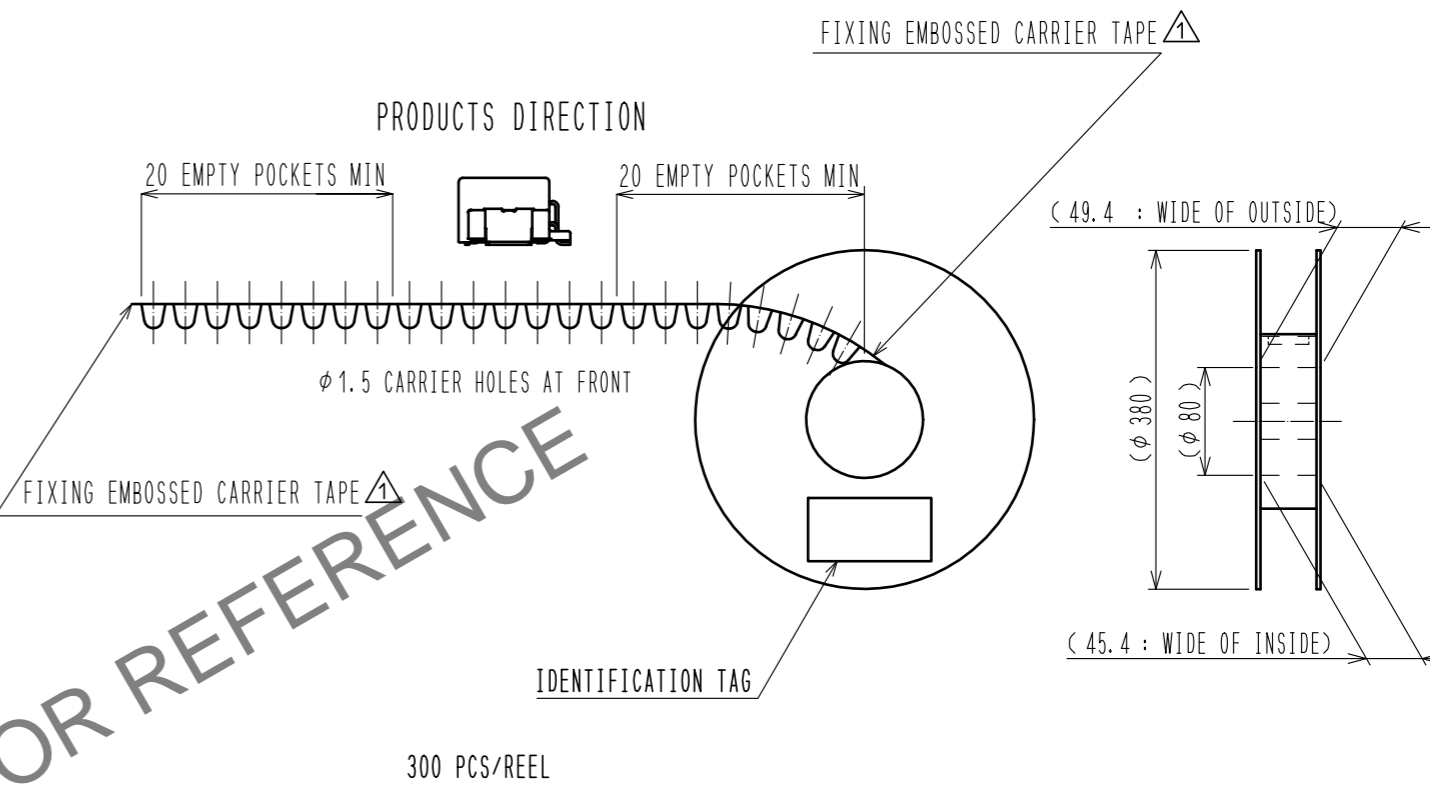
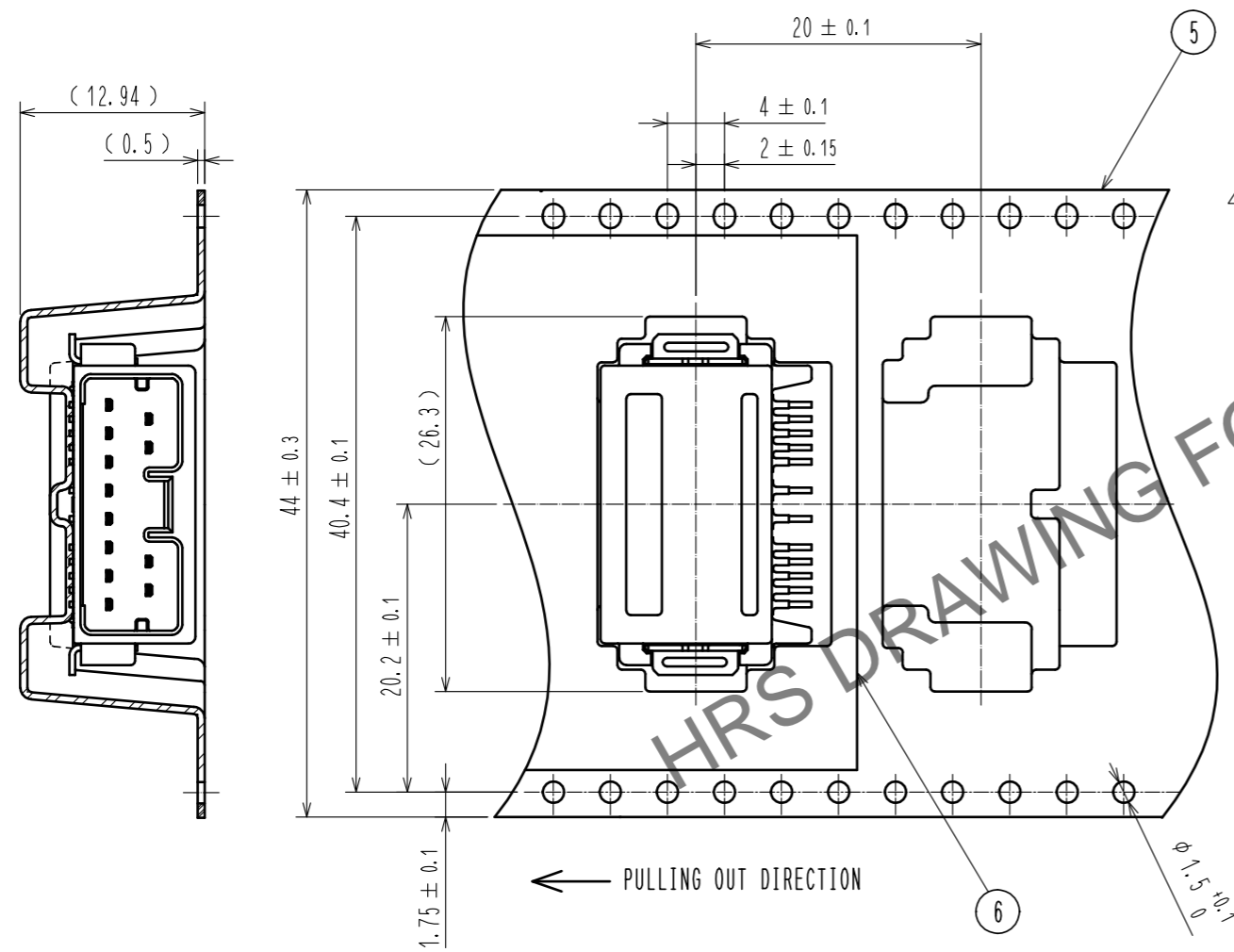
UNITS mm	\odot \triangleleft	SCALE 2 : 1	COUNT Δ 6	DESCRIPTION OF REVISIONS DIS-T-00003979	DESIGNED YONGMUN LEE	CHECKED HH. TSUKUMO	DATE 20181119
HRS HIROSE ELECTRIC CO., LTD.		APPROVED : HK. UMEHARA	20180129	DRAWING NO. EDC-373532-00-00		PART NO. ZE05H-12DP-2H	
		CHECKED : HK. UMEHARA	20180129	CODE NO. CL752-2113-0-00		Δ 1/2	
		DESIGNED : TY. ISHIGURO	20180129				
		DRAWN : MN. SATOH	20180129				

Apr.1.2025 Copyright 2025 HIROSE ELECTRIC CO., LTD. All Rights Reserved.
 In case of consideration for using Automotive equipment / device which demand high reliability, kindly contact our sales window correspondents.

PACKING STYLE

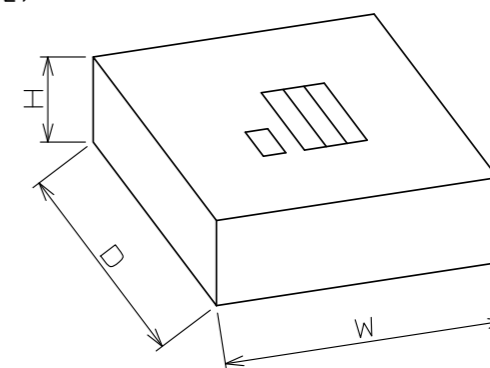
REEL DIMENSION (FREE)

PACKING STYLE DRAWING



CARDBOARD DIMENSION (FREE)

W=(405) (mm)
 D=(405) (mm)
 H=(51) (mm)



HRS DRAWING FOR REFERENCE

HRS	DRAWING NO.	EDC-373532-00-00	2/2
	PART NO.	ZE05H-12DP-2H	
	CODE NO.	CL752-2113-0-00	