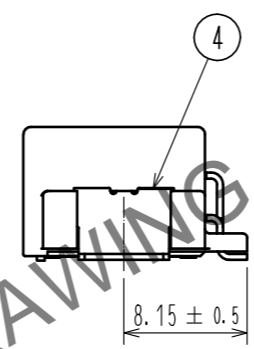
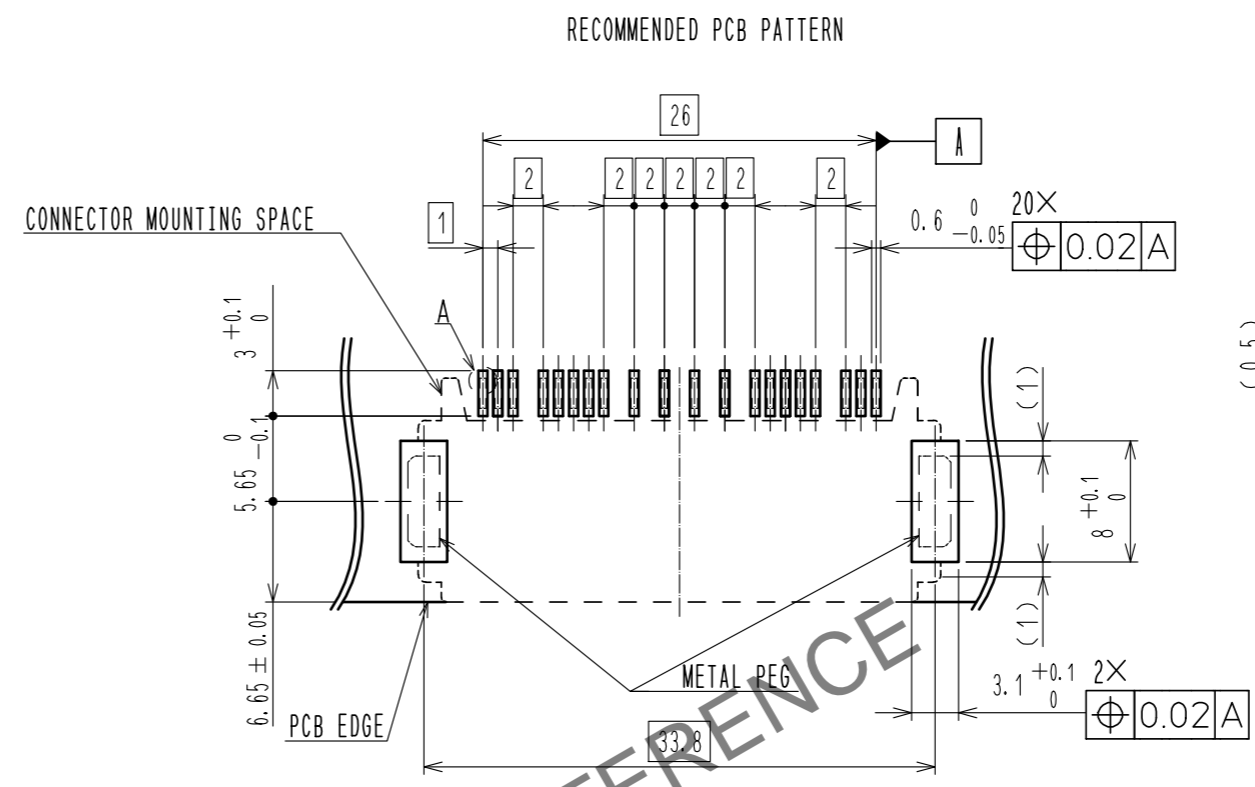
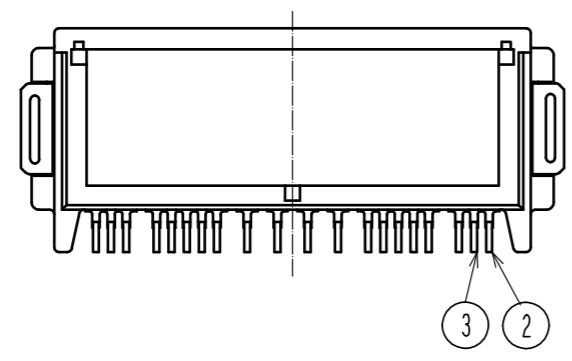
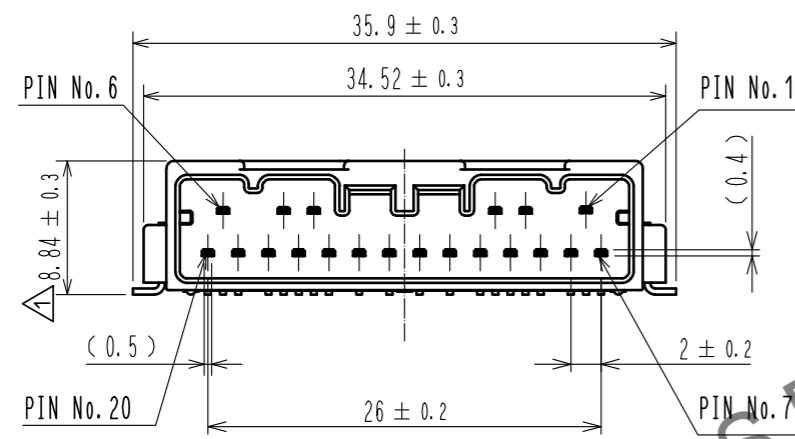
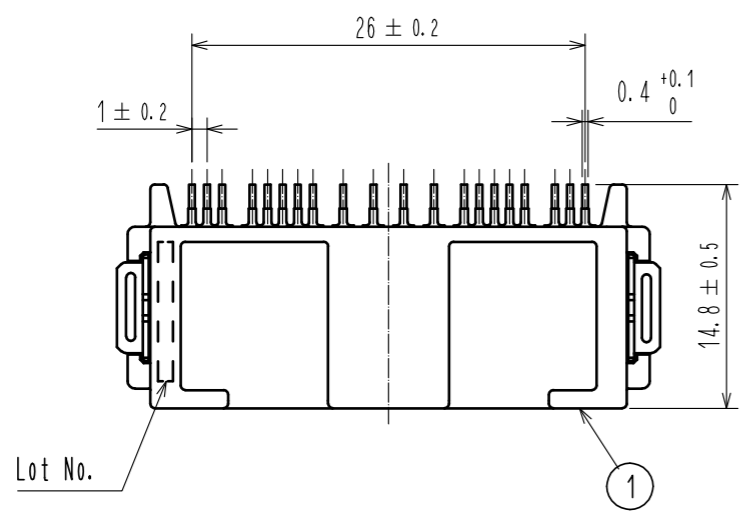
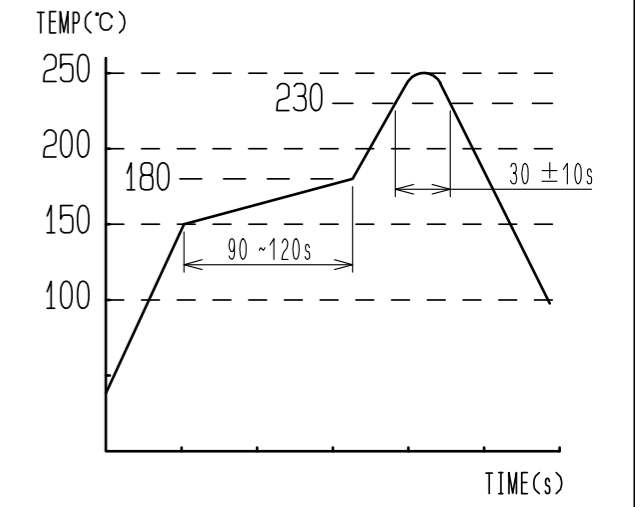


Oct.1.2024 Copyright 2024 HIROSE ELECTRIC CO., LTD. All Rights Reserved.
In case of consideration for using Automotive equipment / device which demand high reliability, kindly contact our sales window correspondents.

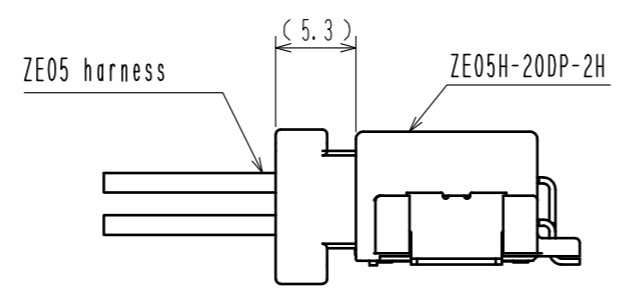
ELV, RoHS COMPLIANT



- NOTE 1. RECOMMENDED TEMPERATURE PROFILE FOR REFLOW (REFER TO RIGHT FIG.)
USED REFLOW SYSTEM : IR IN THE AIR OR NITROGEN
NO. OF CYCLES : 2 MAX
PEAK : 250°C
OVER 230°C : 20~40s
PREHEAT : 150~180°C
 90~120s
2. TEMPERATURE FOR SOLDERING IRON : 280~300°C WITHIN 2s
3. CO-PLANARITY SHALL BE 0.1mm MAX.
4. RECOMMENDED PCB THICKNESS IS 1.6mm.
5. RECOMMENDED SOLDER THICKNESS IS 0.15mm.



MATED CONNECTORS

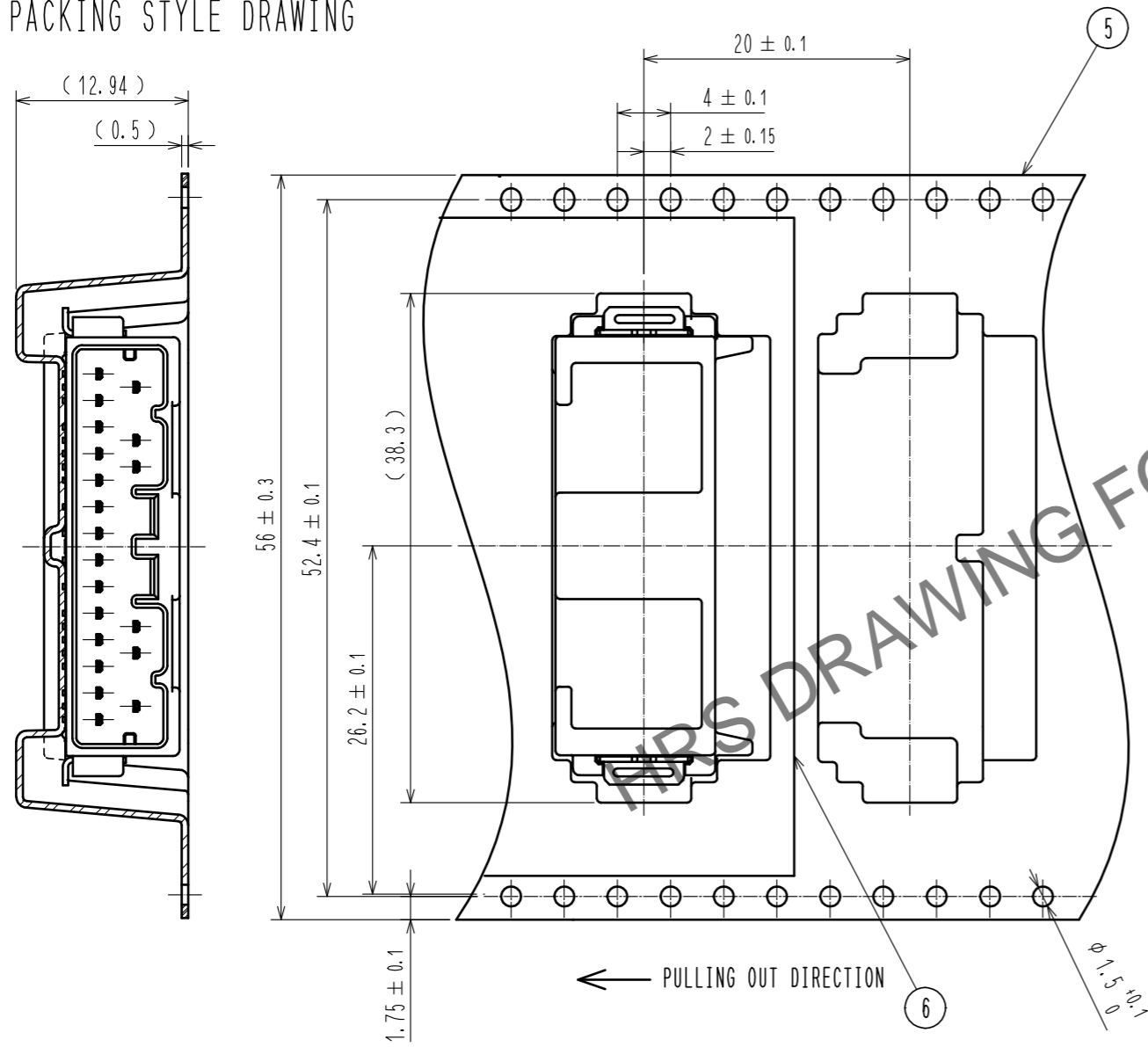


3	BRASS	SURFACE PLATING : TIN PLATING 1μm min				
		UNDER PLATING : NICKEL 1μm min	6	POLYESTER		
2	BRASS	SURFACE PLATING : TIN PLATING 1μm min	5	POLYSTYRENE		
		UNDER PLATING : NICKEL 1μm min				
1	PA	BLACK UL94V-0	4	BRASS	SURFACE PLATING : TIN PLATING 1μm min	
					UNDER PLATING : NICKEL 1μm min	
NO.	MATERIAL	FINISH . REMARKS	NO.	MATERIAL	FINISH . REMARKS	
UNITS	mm	SCALE	COUNT	DESCRIPTION OF REVISIONS		DESIGNED
		2 : 1	1	DIS-T-00013707		CHKD. YAMASUSO
		APPROVED : HK. UMEHARA	20190511	DRAWING NO.		EDC-373534-00-00
		CHECKED : HK. UMEHARA	20190511	PART NO.		ZE05H-20DP-2H
		DESIGNED : YH. MAMADA	20190511	CODE NO.		CL0752-2115-0-00
		DRAWN : MINTAE KANG	20190511			1/2

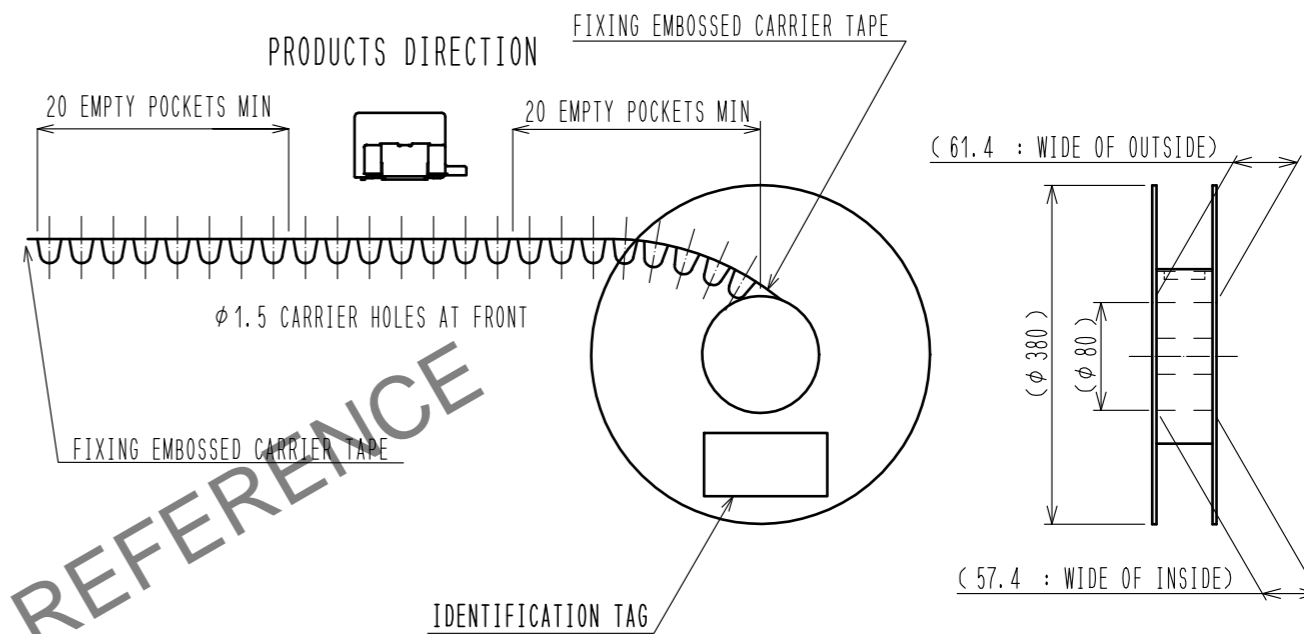
Oct.1.2024 Copyright 2024 HIROSE ELECTRIC CO., LTD. All Rights Reserved.
 In case of consideration for using Automotive equipment / device which demand high reliability, kindly contact our sales window correspondents.

PACKING STYLE

PACKING STYLE DRAWING

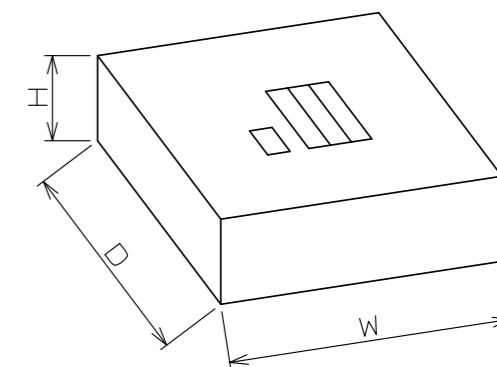


REEL DIMENSION (FREE)



CARDBOARD DIMENSION (FREE)

W=(405) (mm)
 D=(405) (mm)
 H=(63) (mm)



HRS	DRAWING NO.	EDC-373534-00-00
	PART NO.	ZE05H-20DP-2H
	CODE NO.	CL0752-2115-0-00