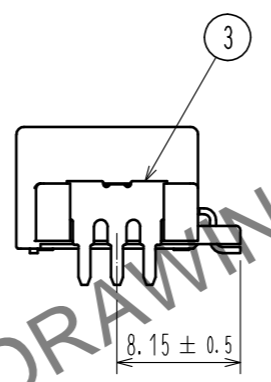
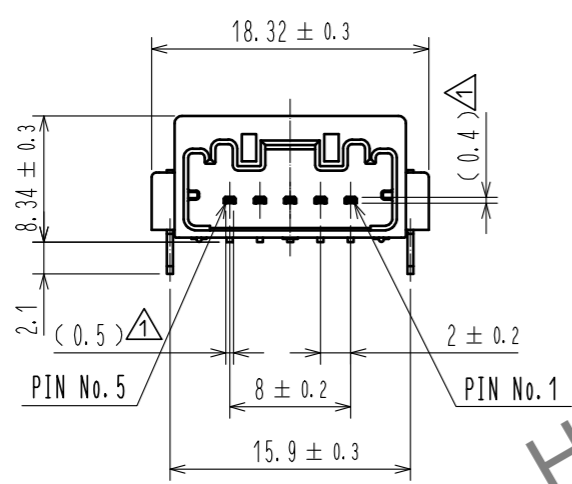
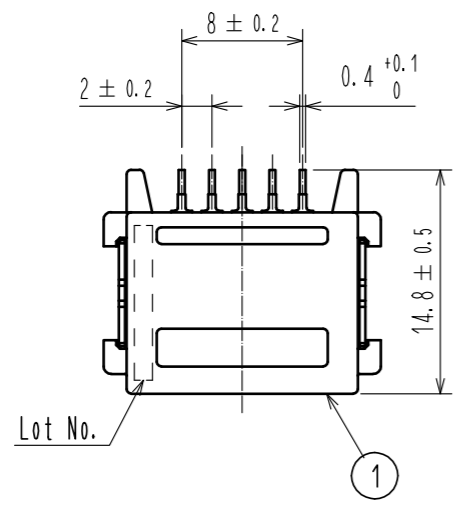
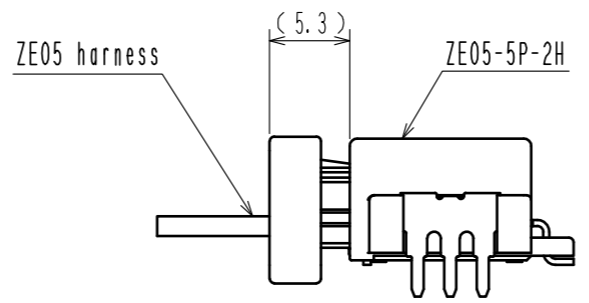
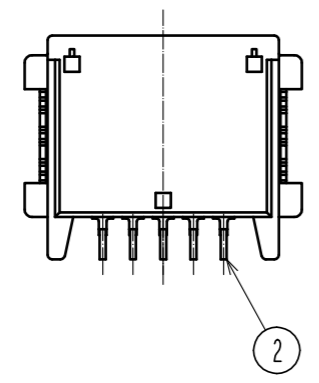


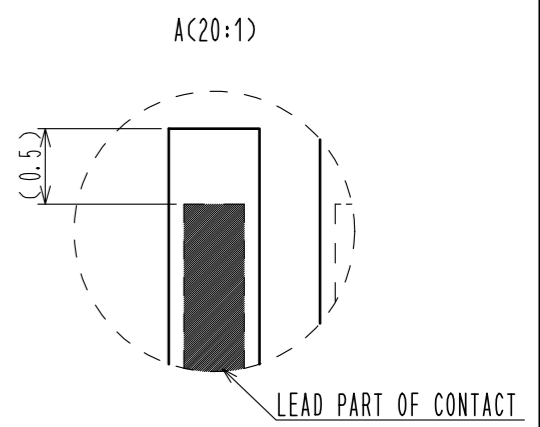
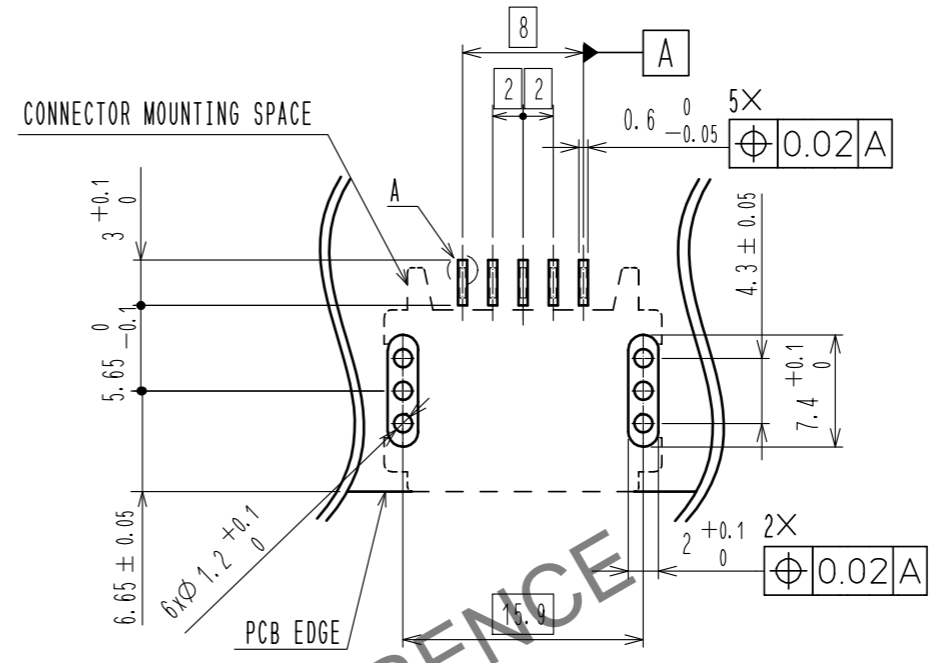
ELV, RoHS COMPLIANT



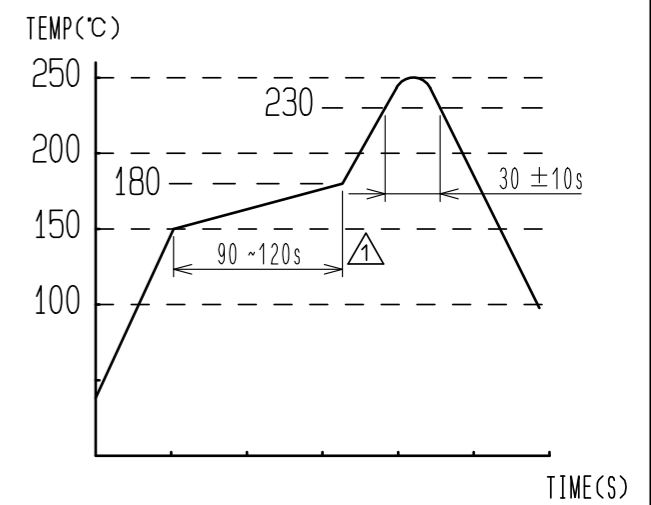
MATED CONNECTORS



RECOMMENDED PCB PATTERN



- NOTE 1. RECOMMENDED TEMPERATURE PROFILE FOR REFLOW (REFER TO RIGHT FIG.)
 USED REFLOW SYSTEM : IR IN THE AIR OR NITROGEN
 NO. OF CYCLES : 2 MAX
 PEAK : 250°C
 OVER 230°C : 20~40s
 PREHEAT : 150~180°C
 90~120s triangle
2. TEMPERATURE FOR SOLDERING IRON : 280~300°C WITHIN 2s
3. CO-PLANARITY SHALL BE 0.1mm MAX.
4. RECOMMENDED PCB THICKNESS IS 1.6mm.
5. RECOMMENDED SOLDER THICKNESS IS 0.15mm.



2	BRASS	SURFACE PLATING : TIN PLATING 1µm min UNDER PLATING : NICKEL 1µm min	5	POLYESTER			
1	PA	BLACK UL94V-0	4	POLYSTYRENE			
			3	BRASS	SURFACE PLATING : TIN PLATING 1µm min UNDER PLATING : NICKEL 1µm min		
NO.	MATERIAL	FINISH . REMARKS	NO.	MATERIAL	FINISH . REMARKS		
UNITS mm	Ø	SCALE 2 : 1	COUNT 4	DESCRIPTION OF REVISIONS DIS-T-00003979	DESIGNED YONGMUN LEE	CHECKED HH. TSUKUMO	DATE 20181119
APPROVED : HK. UMEHARA		20180906	DRAWING NO. EDC-384366-00-00				
CHECKED : HH. TSUKUMO		20180906	PART NO. ZE05-5P-2H				
DESIGNED : YH. MAMADA		20180905	CODE NO. CL752-2121-0-00		1/2		
DRAWN : MN. SATOH		20180905					

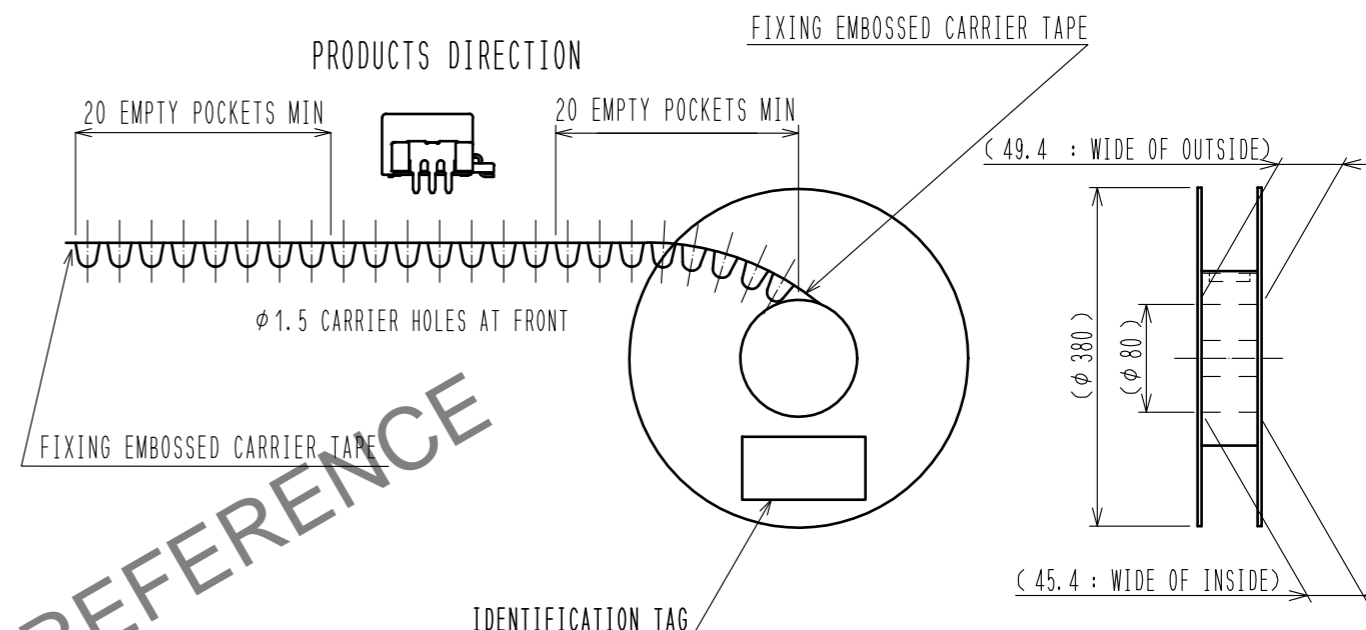
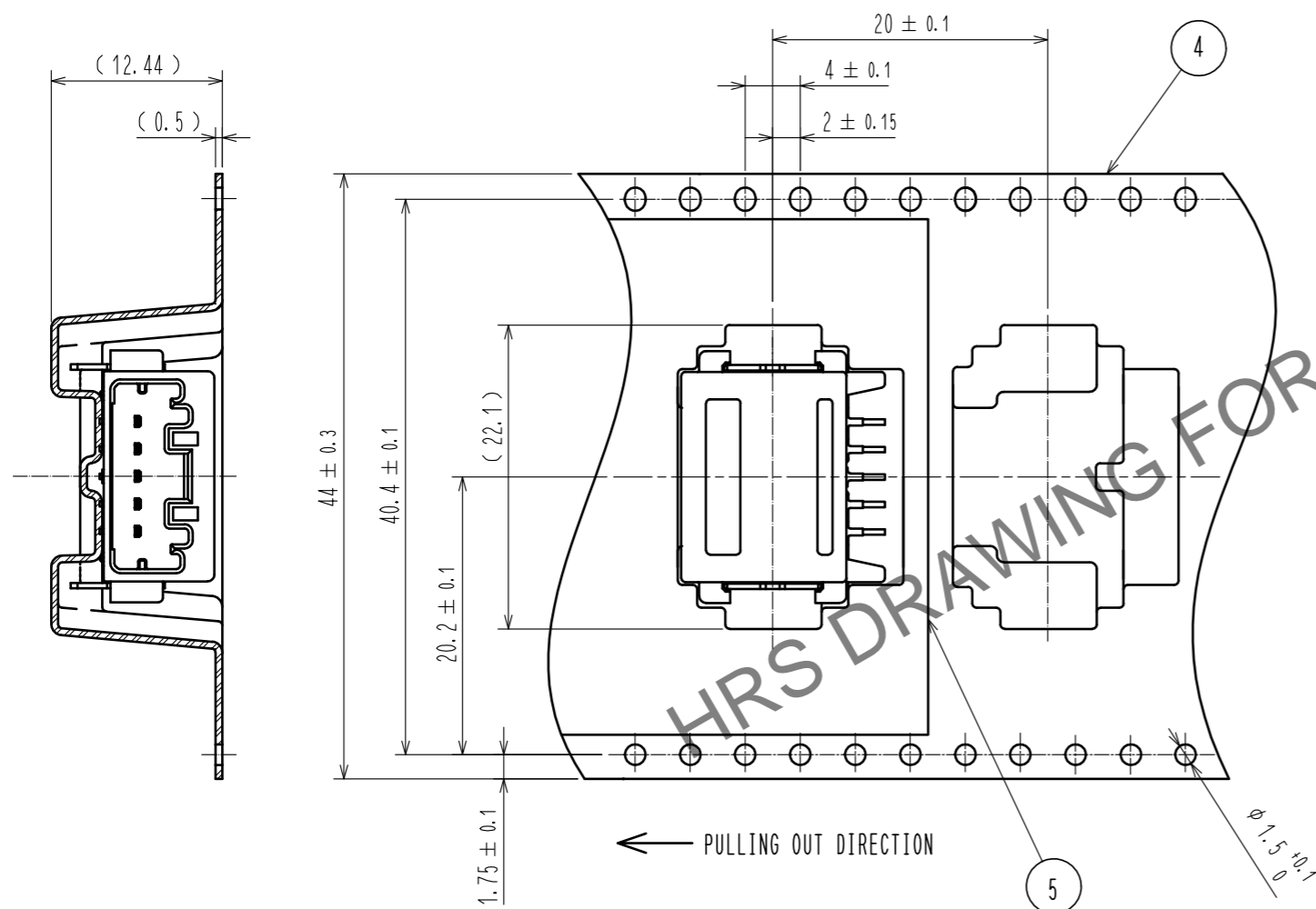
Jan.1.2025 Copyright 2025 HIROSE ELECTRIC CO., LTD. All Rights Reserved. In case of consideration for using Automotive equipment / device which demand high reliability, kindly contact our sales window correspondents.

Jan.1.2025 Copyright 2025 HIROSE ELECTRIC CO., LTD. All Rights Reserved.
 In case of consideration for using Automotive equipment / device which demand high reliability, kindly contact our sales window correspondents.

PACKING STYLE

REEL DIMENSION (FREE)

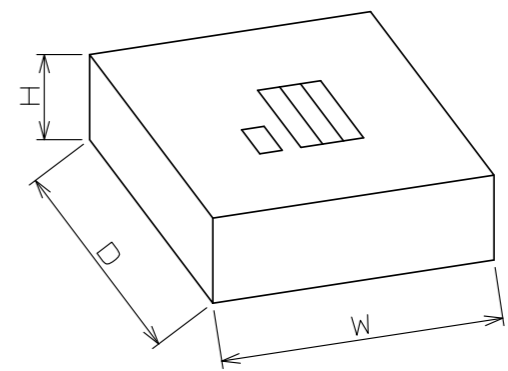
PACKING STYLE DRAWING



300 PCS/REEL

CARDBOARD DIMENSION (FREE)

W=(405) (mm)
 D=(405) (mm)
 H=(51) (mm)



HRS DRAWING FOR REFERENCE

ASSEMBLY DRAWING	HRS	DRAWING NO.	EDC-384366-00-00
		PART NO.	ZE05-5P-2H
		CODE NO.	CL752-2121-0-00