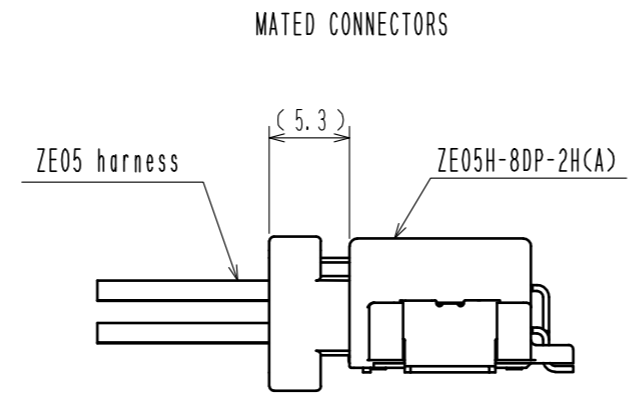
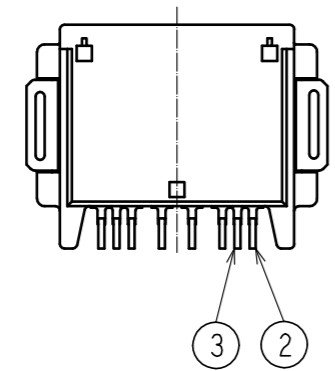
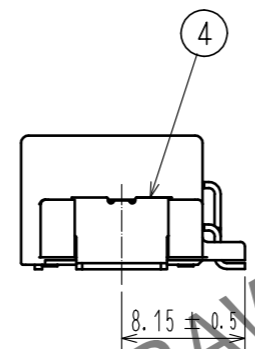
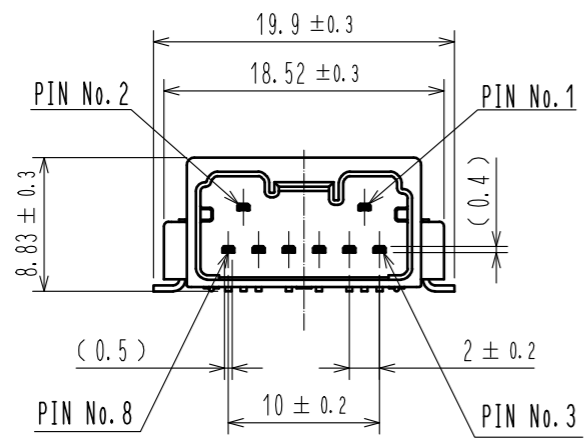
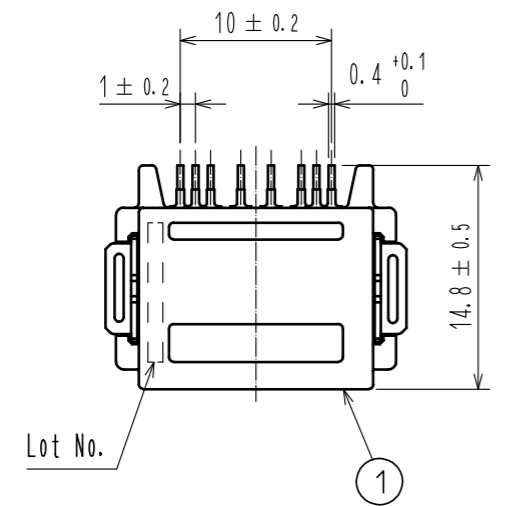
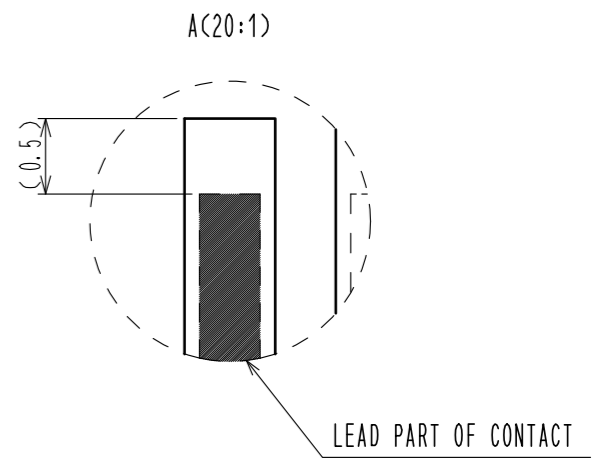
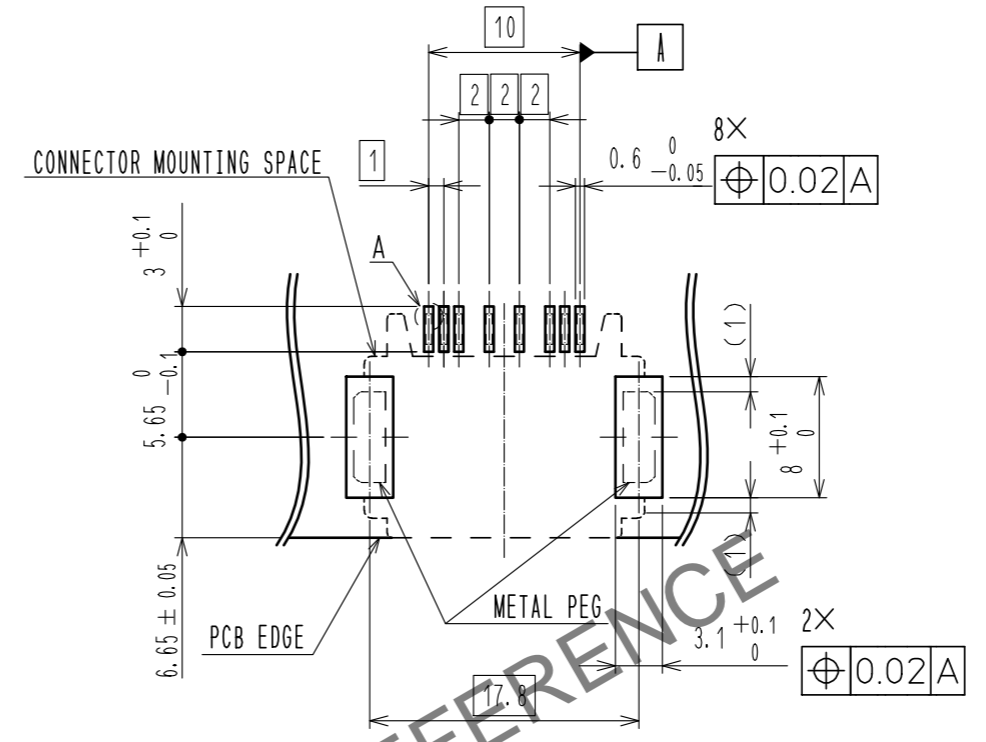


ELV, RoHS COMPLIANT

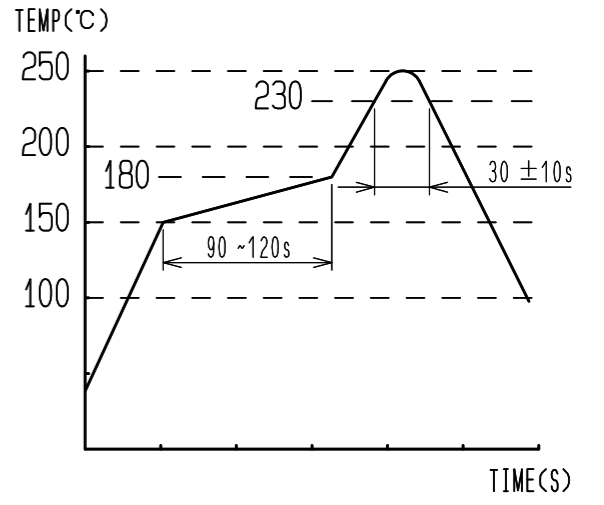


RECOMMENDED PCB PATTERN



HRS DRAWING FOR REFERENCE

- NOTE 1. RECOMMENDED TEMPERATURE PROFILE FOR REFLOW (REFER TO RIGHT FIG.) USED REFLOW SYSTEM  
 : IR IN THE AIR OR NITROGEN  
 NO. OF CYCLES : 2 MAX  
 PEAK : 250°C  
 OVER 230°C : 20~40s  
 PREHEAT : 150~180°C  
 90~120s
2. TEMPERATURE FOR SOLDERING IRON : 280~300°C WITHIN 2s
3. CO-PLANARITY SHALL BE 0.1mm MAX.
4. RECOMMENDED PCB THICKNESS IS 1.6mm.
5. RECOMMENDED SOLDER THICKNESS IS 0.15mm.



3	BRASS	SURFACE PLATING : TIN PLATING 1μm min			
		UNDER PLATING : NICKEL 1μm min	6	POLYESTER	
2	BRASS	SURFACE PLATING : TIN PLATING 1μm min	5	POLYSTYRENE	
		UNDER PLATING : NICKEL 1μm min			SURFACE PLATING : TIN PLATING 1μm min
1	PA	GRAY UL94V-0	4	BRASS	UNDER PLATING : NICKEL 1μm min
NO.	MATERIAL	FINISH . REMARKS	NO.	MATERIAL	FINISH . REMARKS

UNITS mm		SCALE 2 : 1	COUNT 	DESCRIPTION OF REVISIONS	DESIGNED	CHECKED	DATE
<b>HRS</b> HIROSE ELECTRIC CO., LTD.		APPROVED : HK. UMEHARA	20190511	DRAWING NO.	EDC-384606-00-00		
		CHECKED : HK. UMEHARA	20190511	PART NO.	ZE05H-8DP-2H(A)		
		DESIGNED : YH. MAMADA	20190511	CODE NO.	CL752-2122-0-00		
		DRAWN : MINTAE KANG	20190511		1/2		

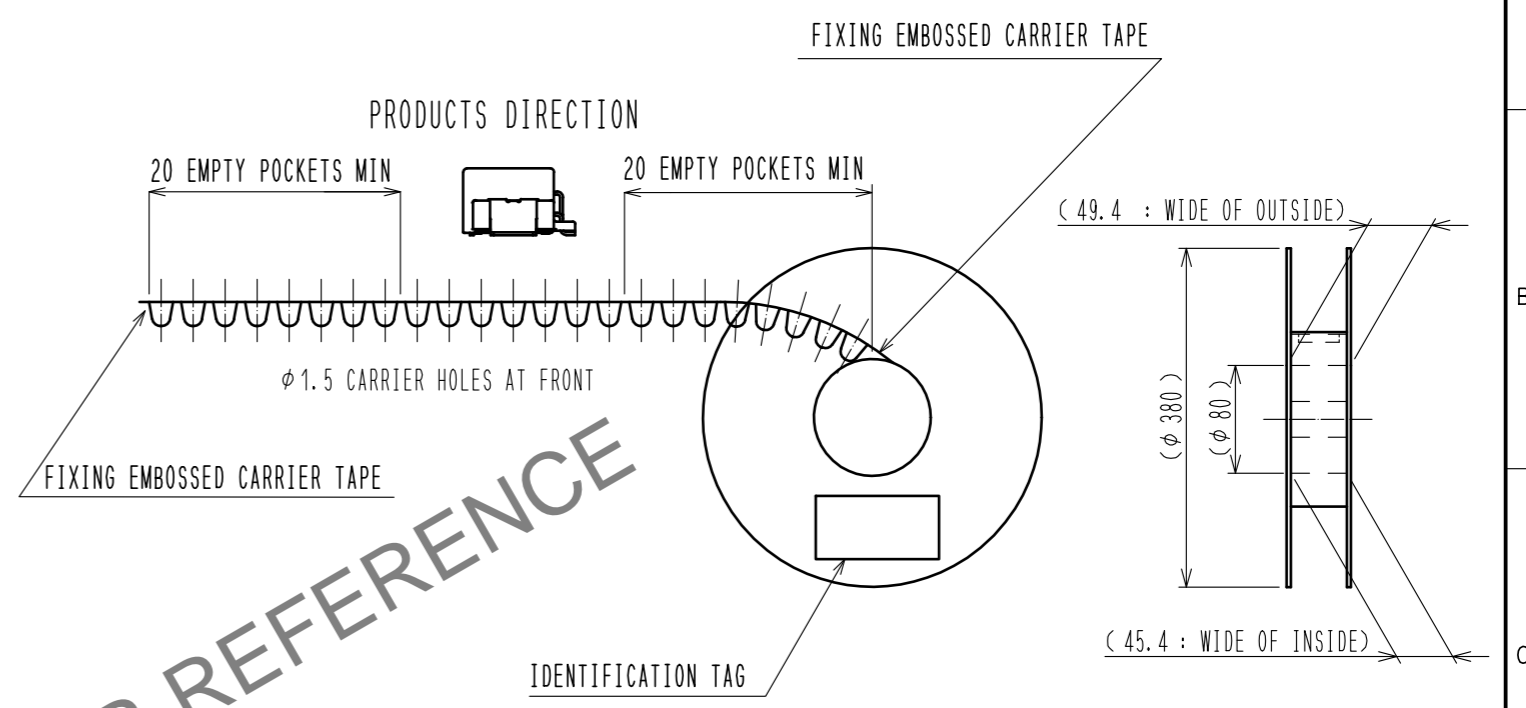
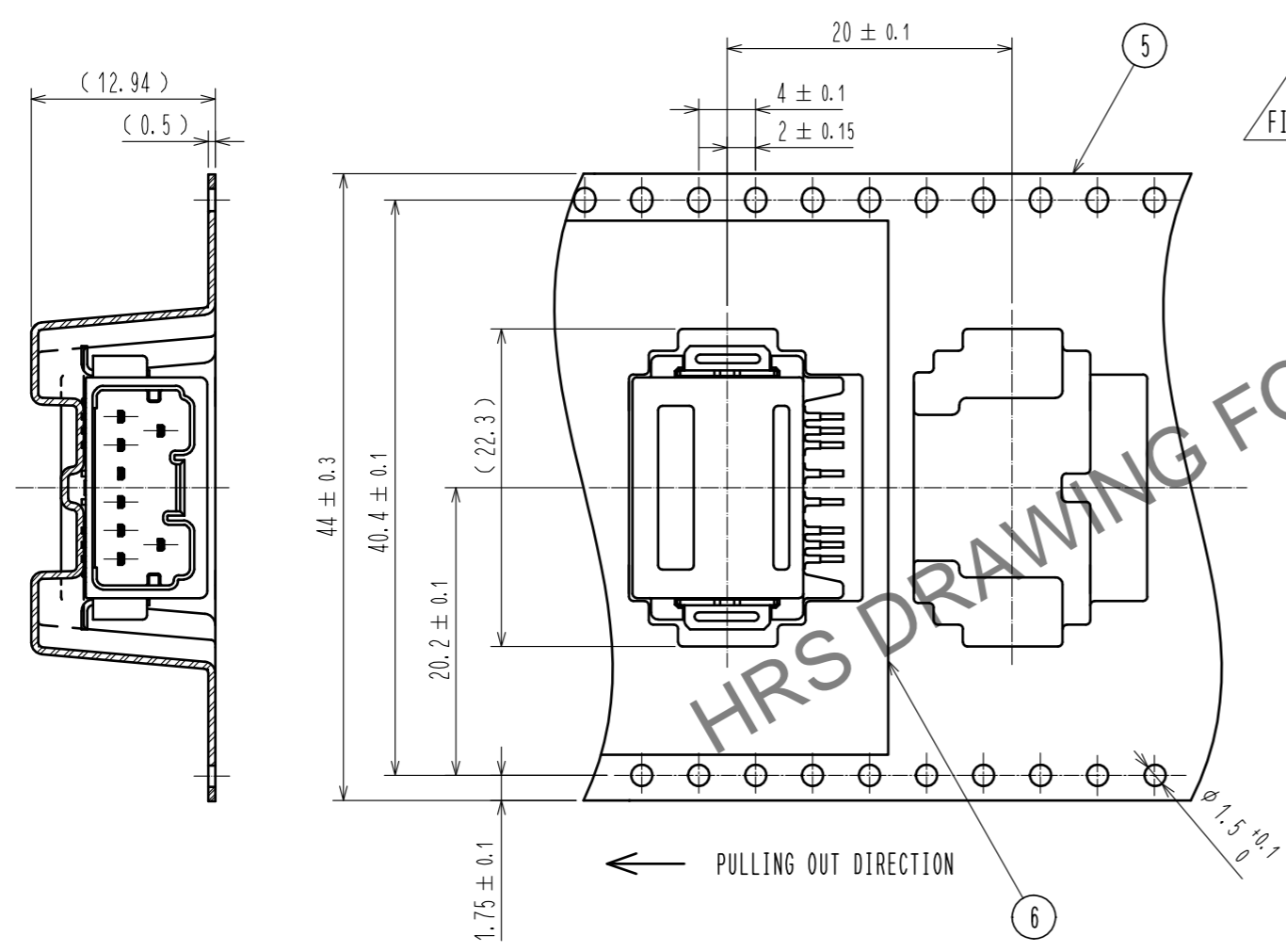
Oct.1.2024 Copyright 2024 HIROSE ELECTRIC CO., LTD. All Rights Reserved. In case of consideration for using Automotive equipment / device which demand high reliability, kindly contact our sales window correspondents.

Oct.1.2024 Copyright 2024 HIROSE ELECTRIC CO., LTD. All Rights Reserved.  
 In case of consideration for using Automotive equipment / device which demand high reliability, kindly contact our sales window correspondents.

# PACKING STYLE

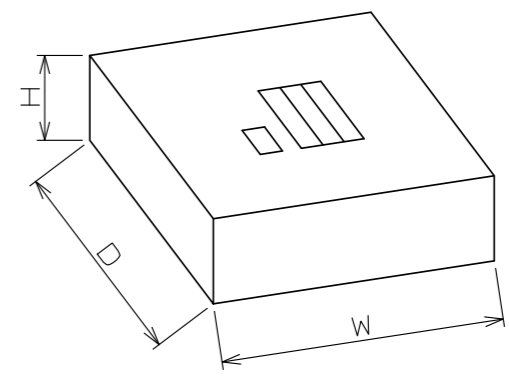
# REEL DIMENSION (FREE)

## PACKING STYLE DRAWING



# CARDBOARD DIMENSION (FREE)

W=(405) (mm)  
 D=(405) (mm)  
 H=(51) (mm)



HRS DRAWING FOR REFERENCE

<b>HRS</b>	DRAWING NO.	EDC-384606-00-00	2/2
	PART NO.	ZE05H-8DP-2H(A)	
	CODE NO.	CL752-2122-0-00	