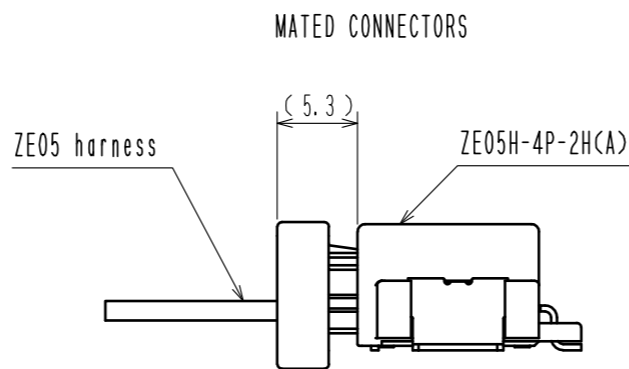
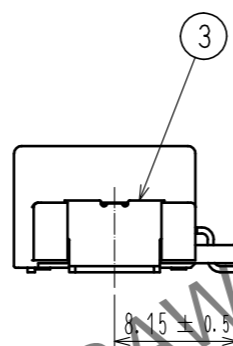
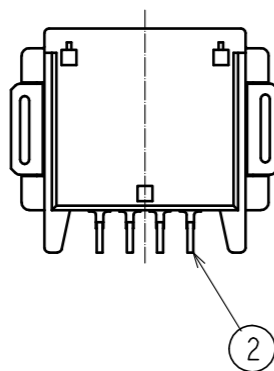
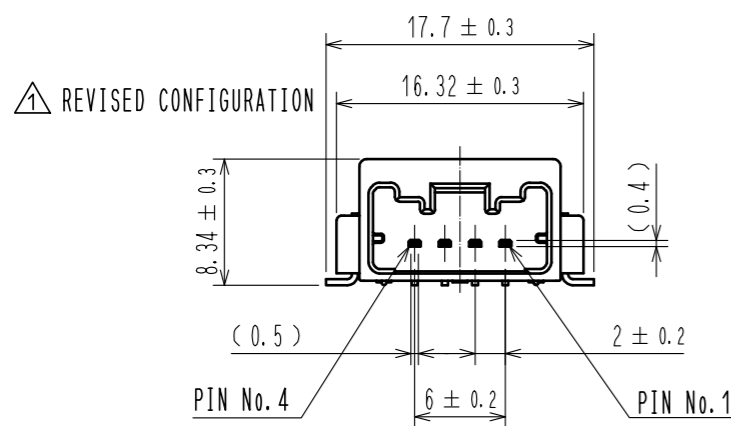
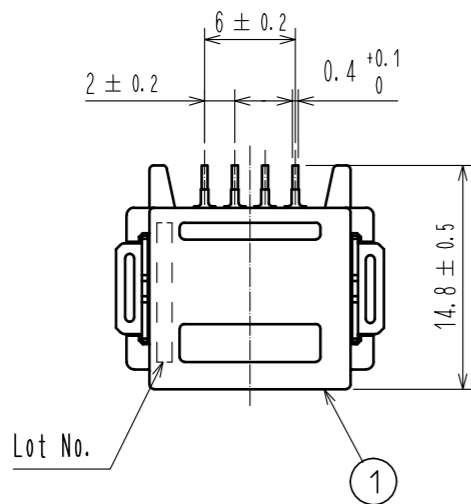
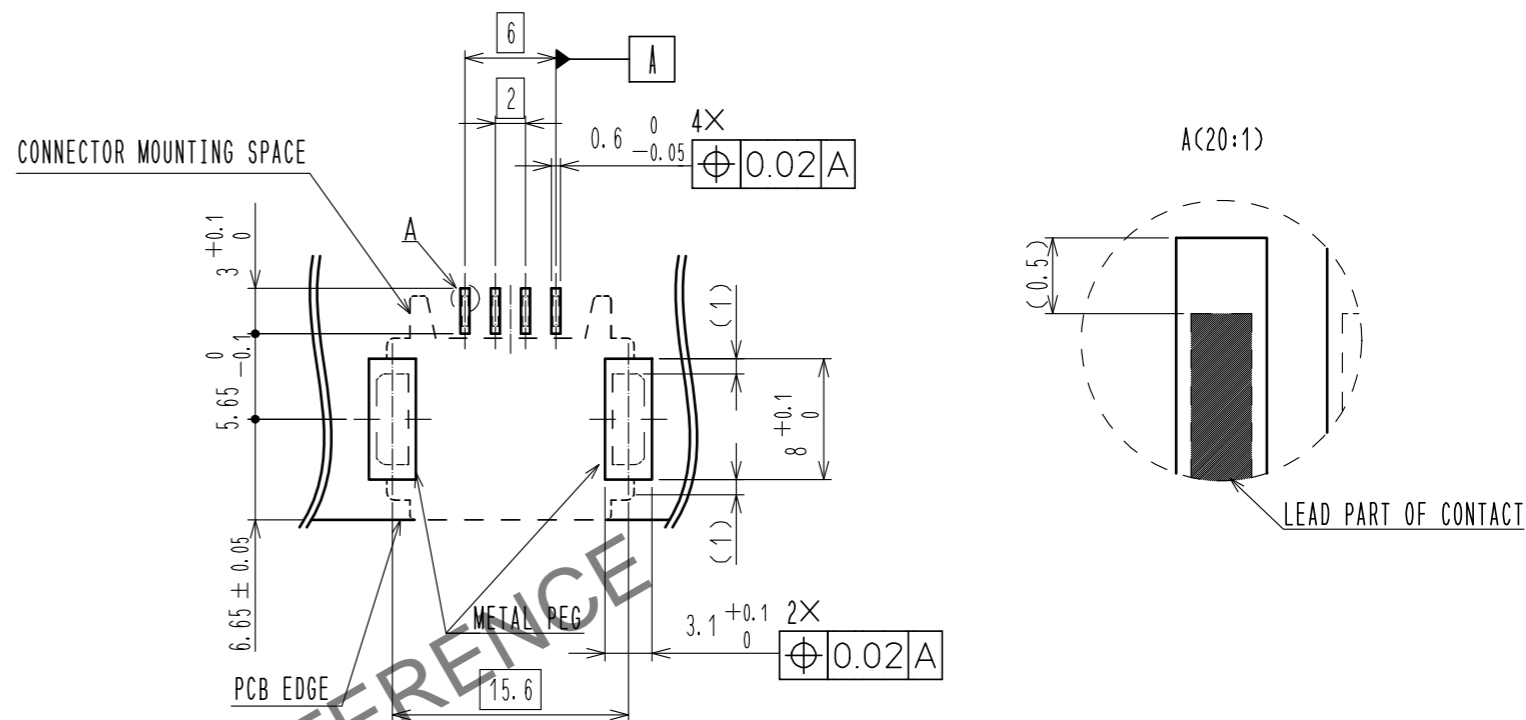


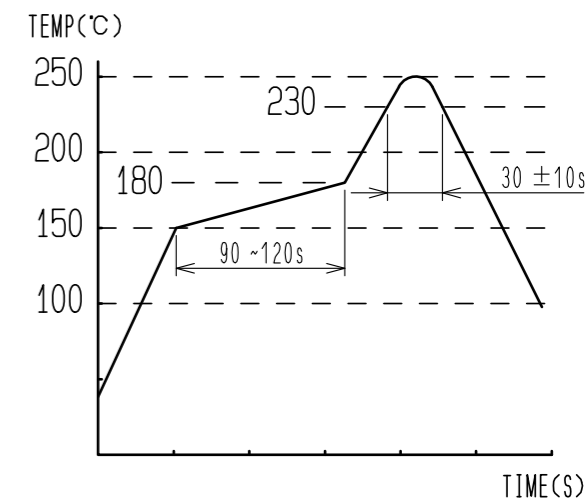
ELV, RoHS COMPLIANT



RECOMMENDED PCB PATTERN



- NOTE 1. RECOMMENDED TEMPERATURE PROFILE FOR REFLOW (REFER TO RIGHT FIG.) USED REFLOW SYSTEM
- : IR IN THE AIR OR NITROGEN
 - NO. OF CYCLES : 2 MAX
 - PEAK : 250°C
 - OVER 230°C : 20~40s
 - PREHEAT : 150~180°C 90~120s
2. TEMPERATURE FOR SOLDERING IRON : 280~300°C WITHIN 2s
3. CO-PLANARITY SHALL BE 0.1mm MAX.
4. RECOMMENDED PCB THICKNESS IS 1.6mm.
5. RECOMMENDED SOLDER THICKNESS IS 0.15mm.



2	BRASS	SURFACE PLATING : TIN PLATING 1μm min	5	POLYESTER	
		UNDER PLATING : NICKEL 1μm min	4	POLYSTYRENE	
1	PA	GRAY UL94V-0	3	BRASS	SURFACE PLATING : TIN PLATING 1μm min
					UNDER PLATING : NICKEL 1μm min
NO.	MATERIAL	FINISH . REMARKS	NO.	MATERIAL	FINISH . REMARKS
UNITS	mm	SCALE	2 : 1	COUNT	1
		DESCRIPTION OF REVISIONS		DESIGNED	YH. MAMADA
		DIS-T-00006235		CHECKED	HH. TSUKUMO
				DATE	20200610
APPROVED : HK. UMEHARA			20190607	DRAWING NO. EDC-387374-00-00	
CHECKED : HK. UMEHARA			20190607	PART NO. ZE05H-4P-2H(A)	
DESIGNED : YH. MAMADA			20190607	CODE NO. CL752-2127-0-00	
DRAWN : MINTAE KANG			20190607	1/2	

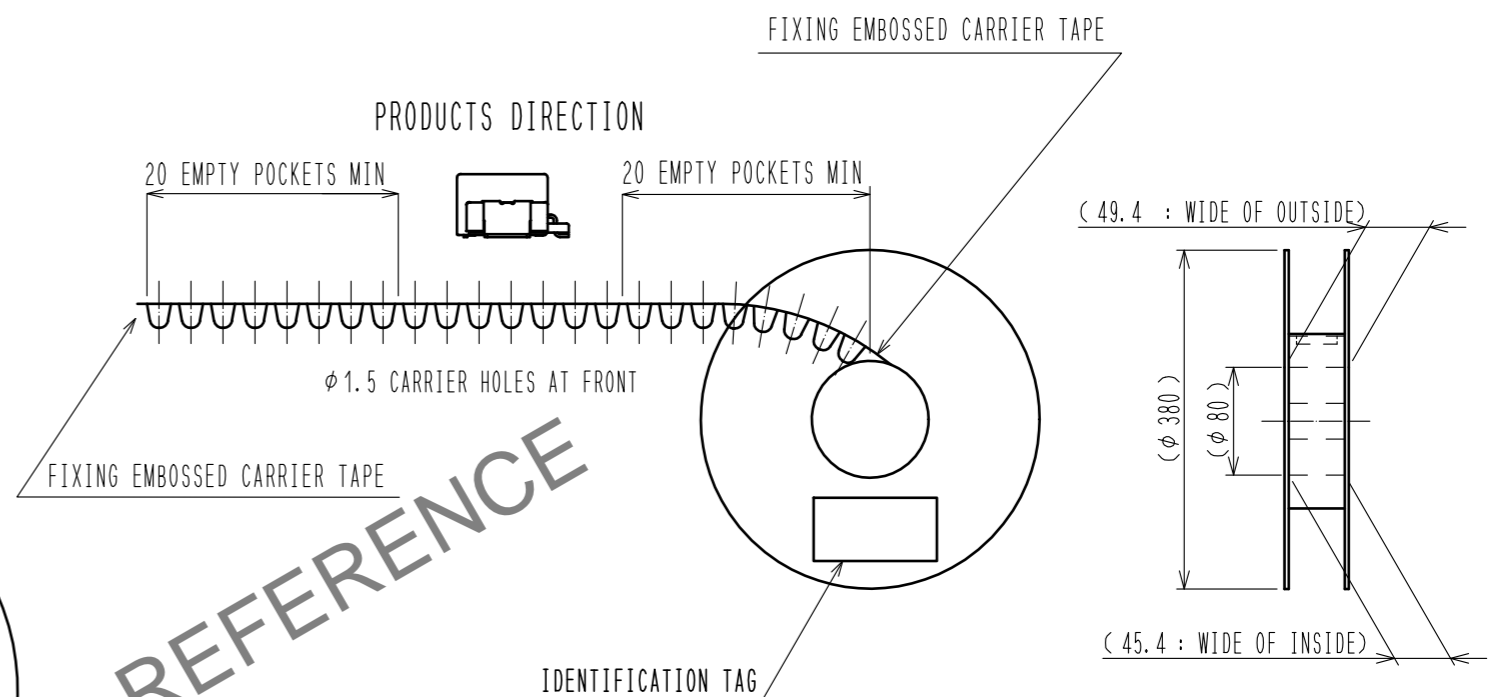
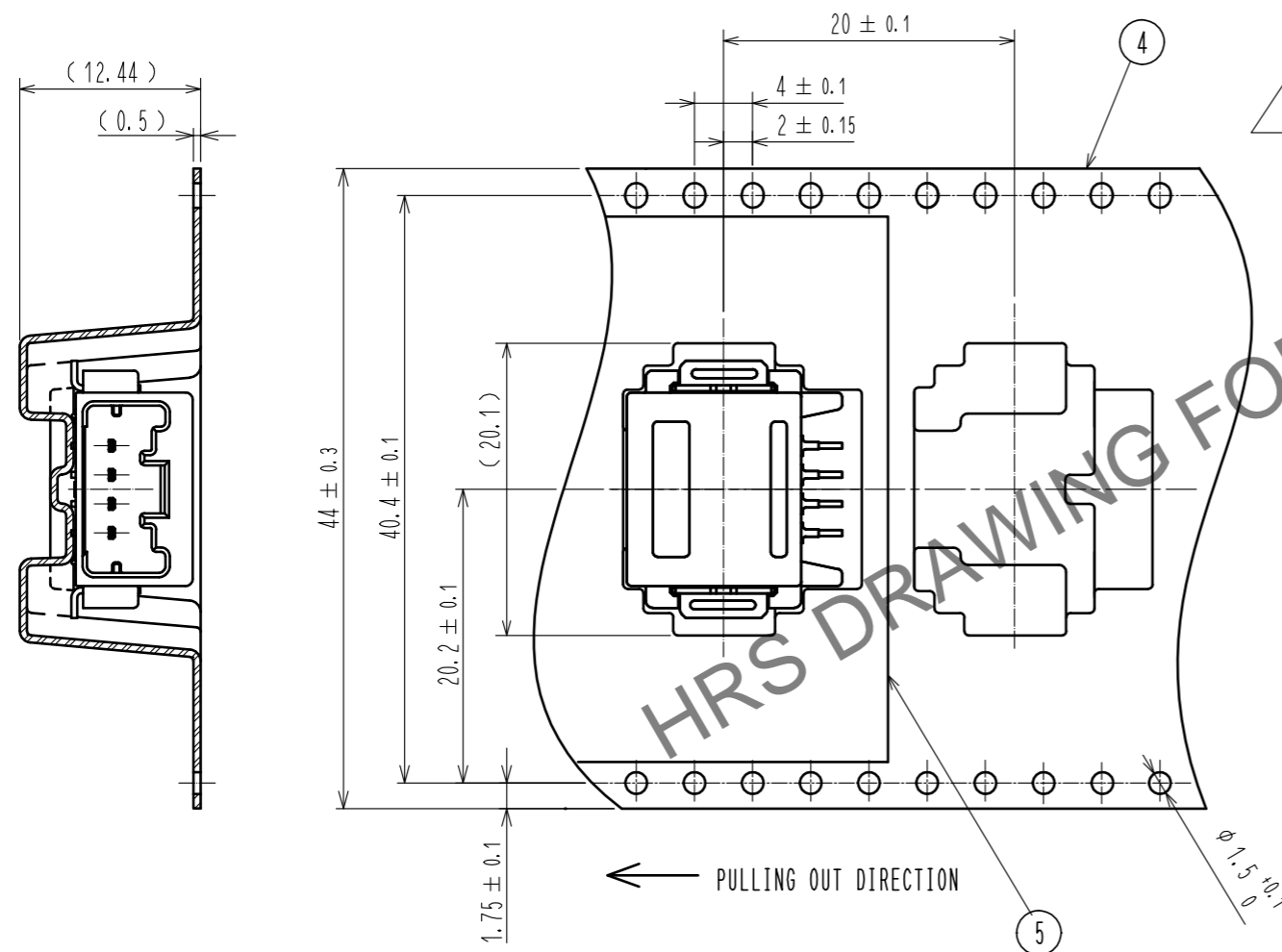
Oct.1.2024 Copyright 2024 HIROSE ELECTRIC CO., LTD. All Rights Reserved. In case of consideration for using Automotive equipment / device which demand high reliability, kindly contact our sales window correspondents.

Oct.1.2024 Copyright 2024 HIROSE ELECTRIC CO., LTD. All Rights Reserved.
 In case of consideration for using Automotive equipment / device which demand high reliability, kindly contact our sales window correspondents.

PACKING STYLE

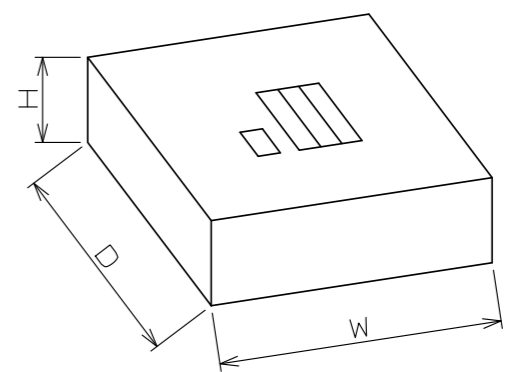
REEL DIMENSION (FREE)

PACKING STYLE DRAWING



CARDBOARD DIMENSION (FREE)

W=(405) (mm)
 D=(405) (mm)
 H=(51) (mm)



HRS DRAWING FOR REFERENCE

300 PCS/REEL

HRS	DRAWING NO.	EDC-387374-00-00	2/2
	PART NO.	ZE05H-4P-2H(A)	
	CODE NO.	CL752-2127-0-00	