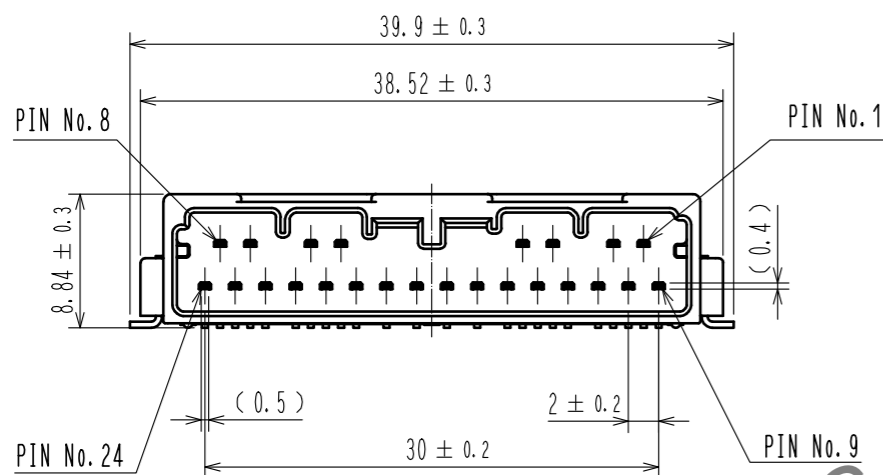
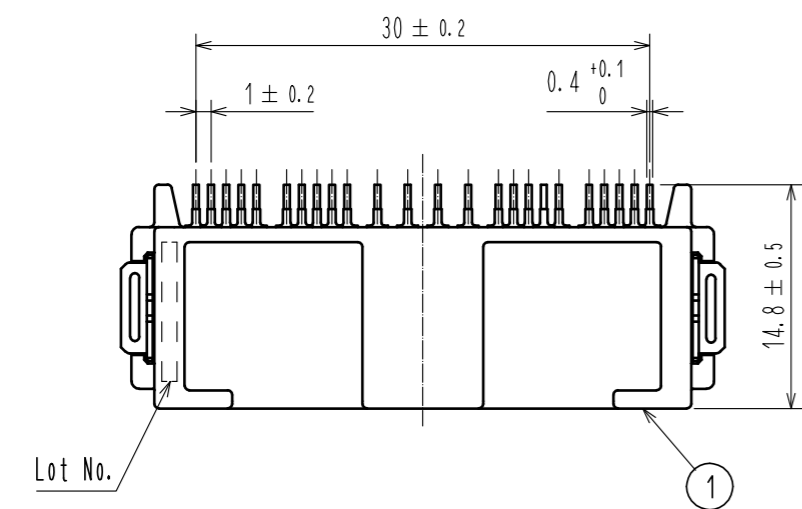


Oct.1.2024 Copyright 2024 HIROSE ELECTRIC CO., LTD. All Rights Reserved.  
In case of consideration for using Automotive equipment / device which demand high reliability, kindly contact our sales window correspondents.

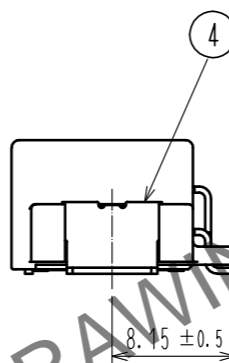
ELV, RoHS COMPLIANT

RECOMMENDED PCB PATTERN

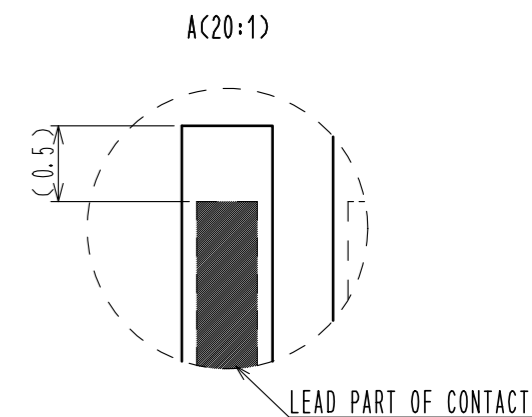
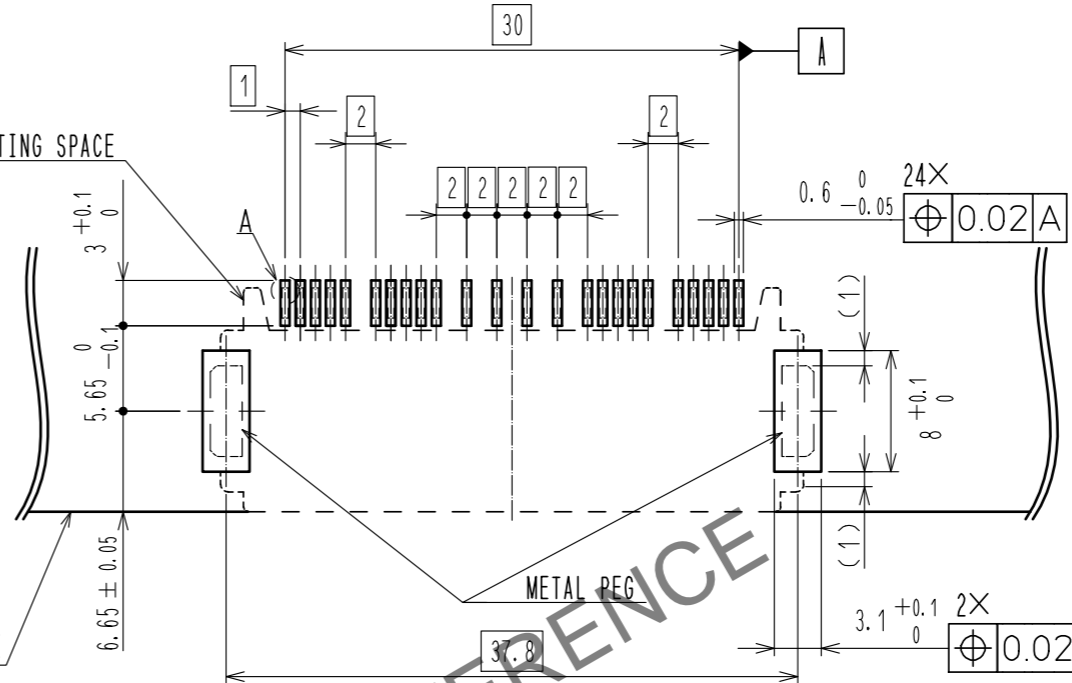
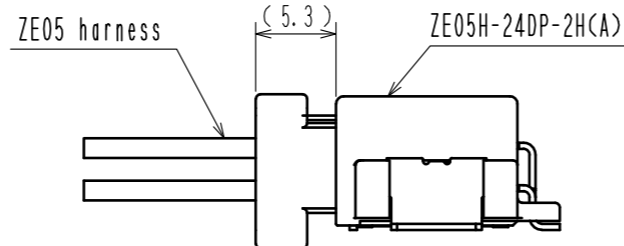


CONNECTOR MOUNTING SPACE

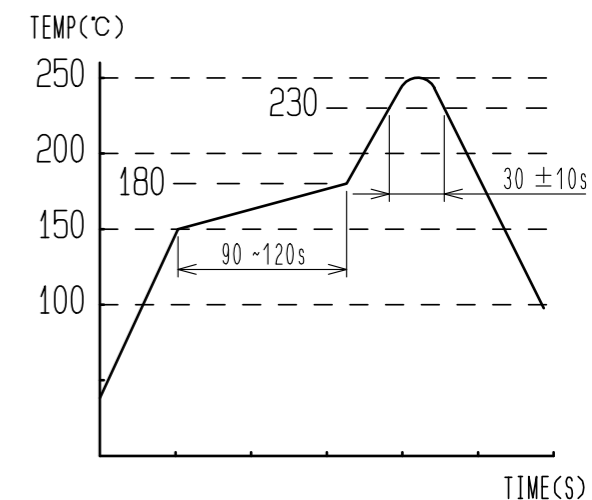
PCB EDGE



MATED CONNECTORS



- NOTE 1. RECOMMENDED TEMPERATURE PROFILE FOR REFLOW (REFER TO RIGHT FIG.) USED REFLOW SYSTEM
- : IR IN THE AIR OR NITROGEN
  - NO. OF CYCLES : 2 MAX
  - PEAK : 250°C
  - OVER 230°C : 20~40s
  - PREHEAT : 150~180°C 90~120s
2. TEMPERATURE FOR SOLDERING IRON : 280~300°C WITHIN 2s
3. CO-PLANARITY SHALL BE 0.1mm MAX.
4. RECOMMENDED PCB THICKNESS IS 1.6mm.
5. RECOMMENDED SOLDER THICKNESS IS 0.15mm.

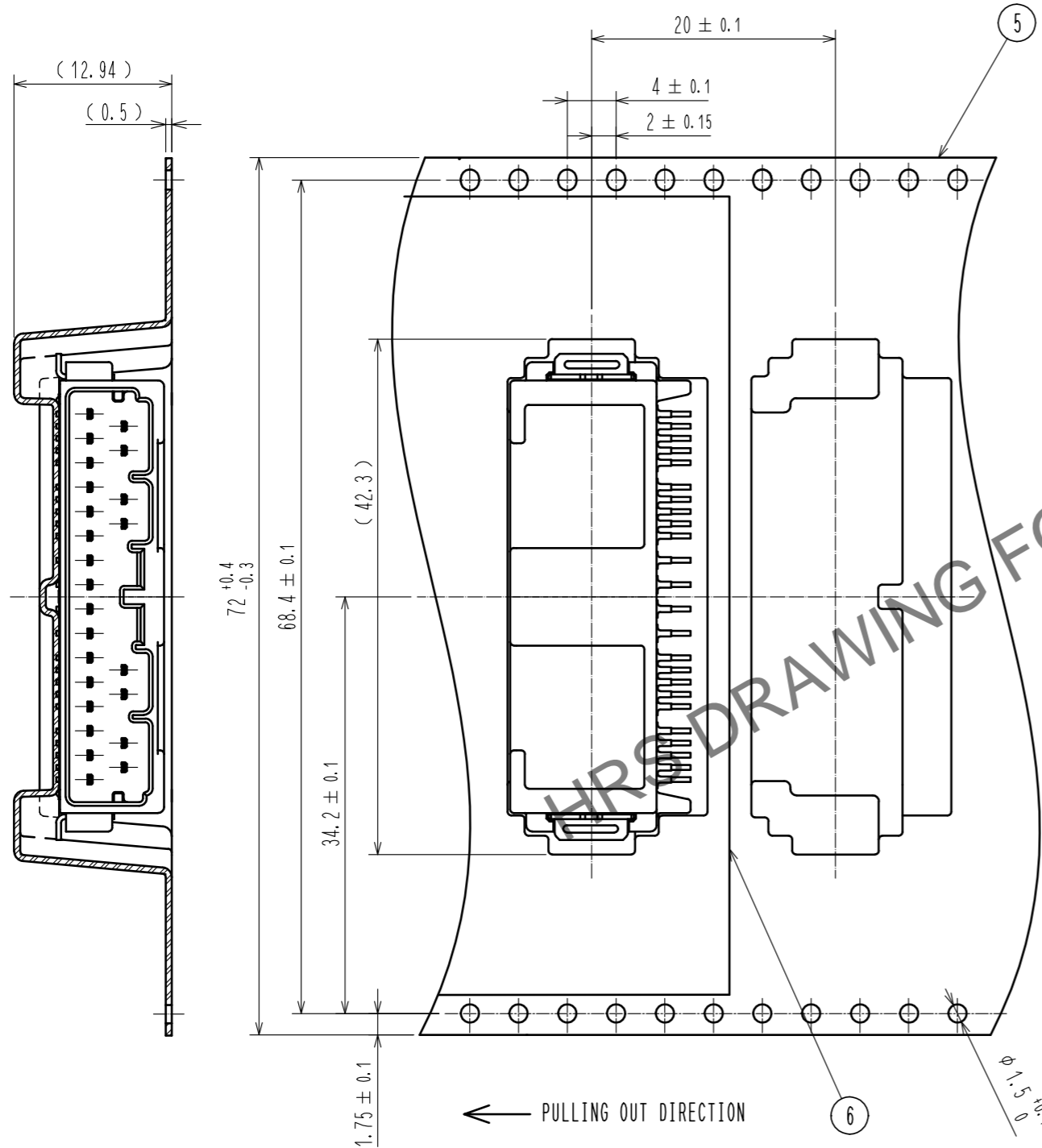


3	BRASS	SURFACE PLATING : TIN PLATING 1μm min						
		UNDER PLATING : NICKEL 1μm min	6	POLYESTER				
2	BRASS	SURFACE PLATING : TIN PLATING 1μm min	5	POLYSTYRENE				
		UNDER PLATING : NICKEL 1μm min			SURFACE PLATING : TIN PLATING 1μm min			
1	PA	GRAY UL94V-0	4	BRASS	UNDER PLATING : NICKEL 1μm min			
NO.	MATERIAL	FINISH . REMARKS	NO.	MATERIAL	FINISH . REMARKS			
UNITS	mm	SCALE	2 : 1	COUNT	DESCRIPTION OF REVISIONS	DESIGNED	CHECKED	DATE
<b>HRS</b> HIROSE ELECTRIC CO., LTD.		APPROVED : HK. UMEHARA	20190511	DRAWING NO.	EDC-387977-00-00			
		CHECKED : HK. UMEHARA	20190511	PART NO.	ZE05H-24DP-2H(A)			
		DESIGNED : YH. MAMADA	20190511	CODE NO.	CL752-2132-0-00			
		DRAWN : MINTAE KANG	20190511					

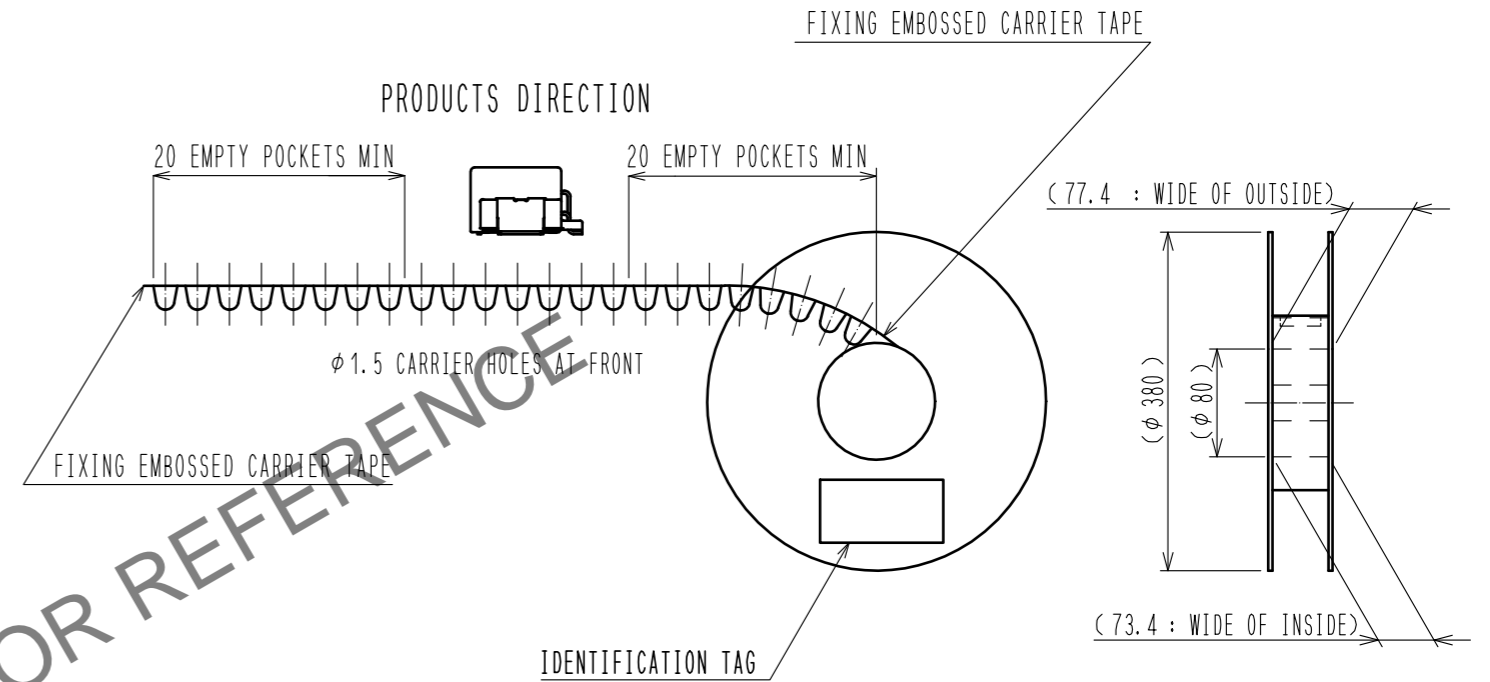
Oct.1.2024 Copyright 2024 HIROSE ELECTRIC CO., LTD. All Rights Reserved.  
 In case of consideration for using Automotive equipment / device which demand high reliability, kindly contact our sales window correspondents.

# PACKING STYLE

## PACKING STYLE DRAWING



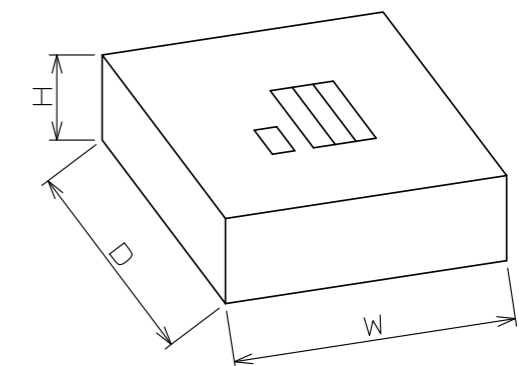
## REEL DIMENSION (FREE)



300 PCS/REEL

## CARDBOARD DIMENSION (FREE)

W=(405) (mm)  
 D=(405) (mm)  
 H=(80) (mm)



<b>HRS</b>	DRAWING NO.	EDC-387977-00-00	2/2
	PART NO.	ZE05H-24DP-2H(A)	
	CODE NO.	CL752-2132-0-00	