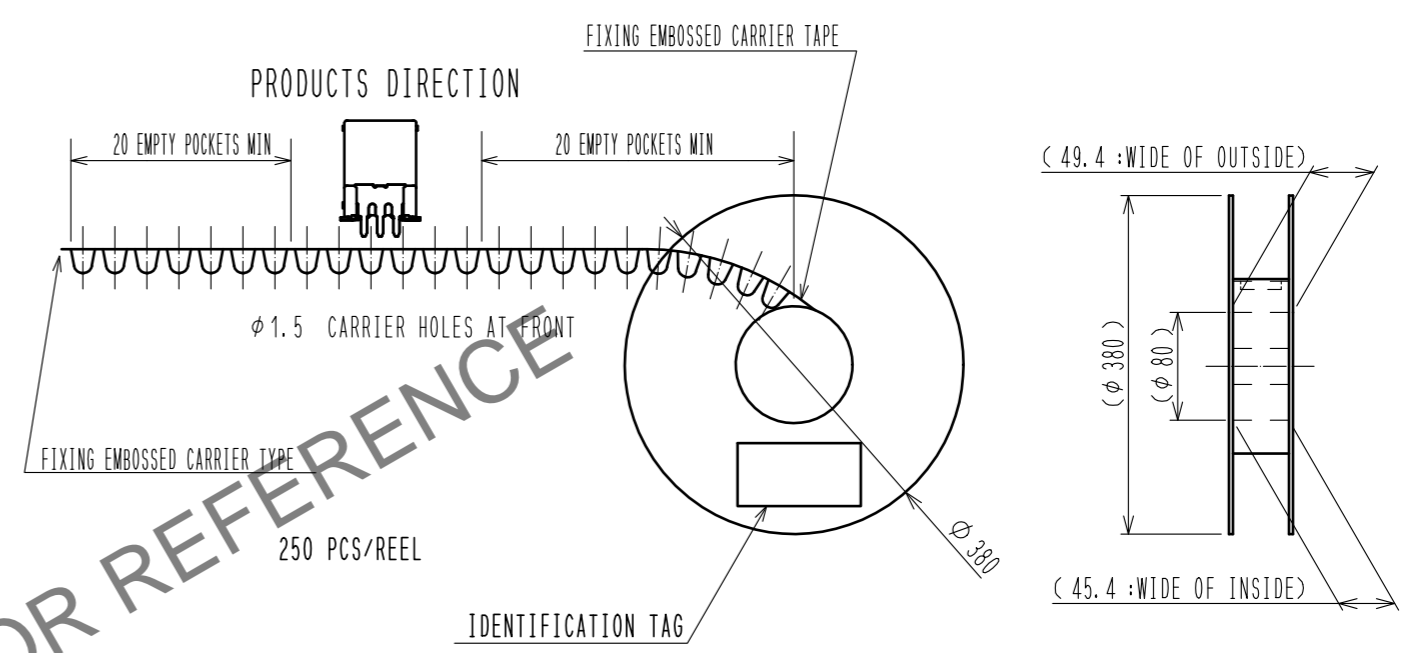
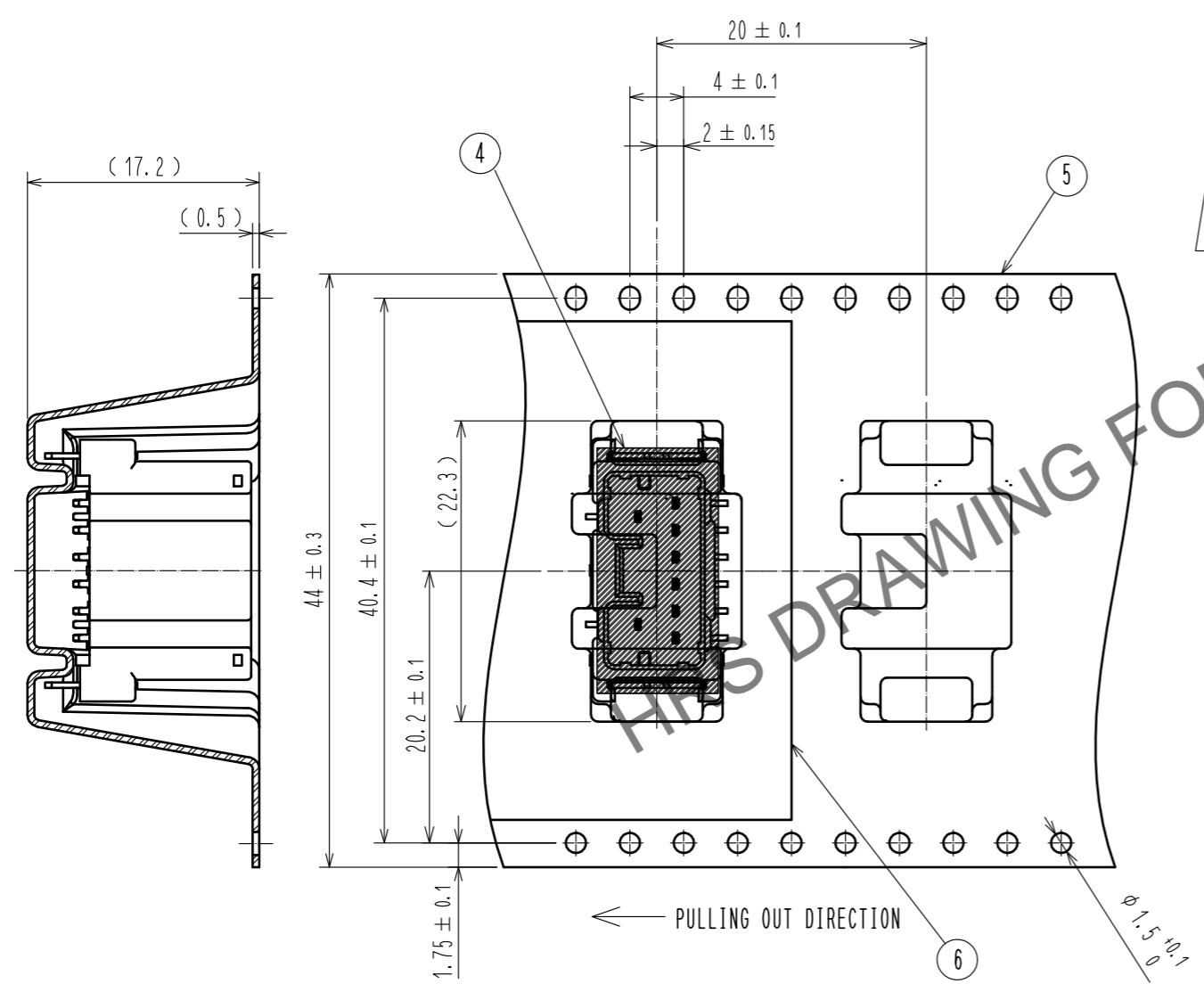


Jan.1.2025 Copyright 2025 HIROSE ELECTRIC CO., LTD. All Rights Reserved.
 In case of consideration for using Automotive equipment / device which demand high reliability, kindly contact our sales window correspondents.

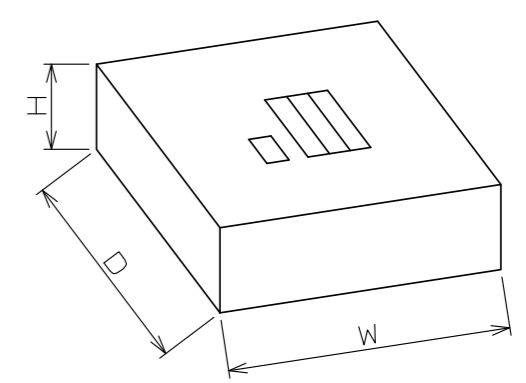
PACKING STYLE

REEL DIMENSION

PACKING STYLE DRAWING



CARDBOARD DIMENSION (FREE)



W=(405) (mm)
 D=(405) (mm)
 H= (51) (mm)

HRS	DRAWING NO.	EDC-368647-00-00
	PART NO.	ZE05-8DP-2V
	CODE NO.	CL752-2303-0-00
		2/2