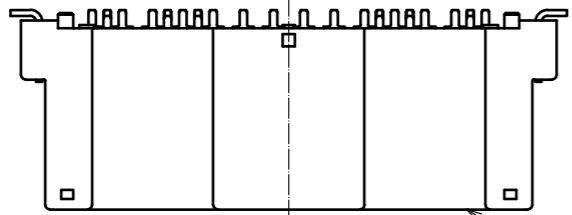
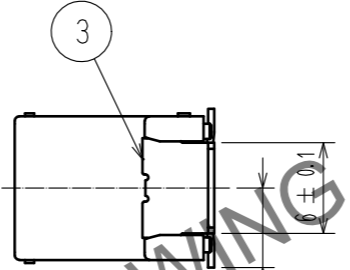
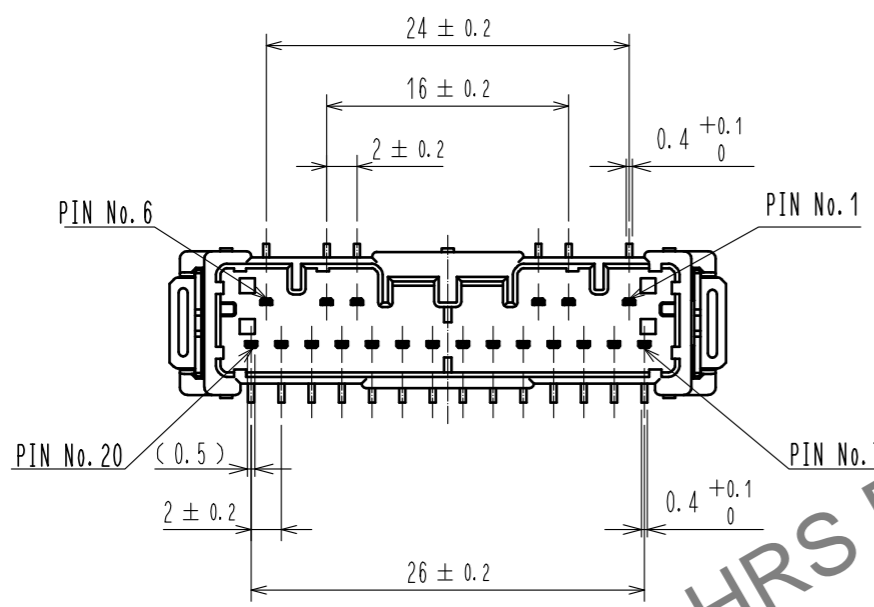
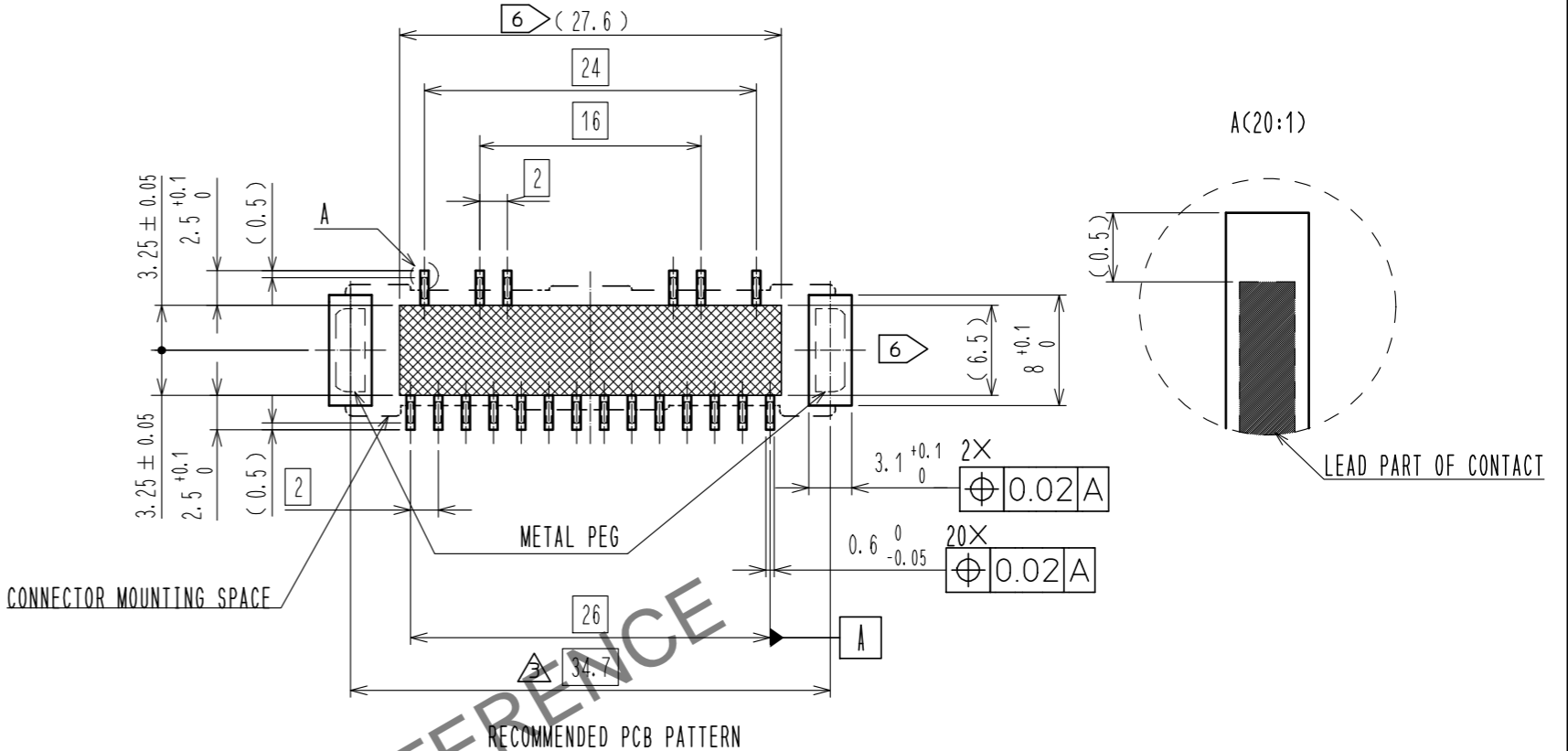


Feb.1.2025 Copyright 2025 HIROSE ELECTRIC CO., LTD. All Rights Reserved.
In case of consideration for using Automotive equipment / device which demand high reliability, kindly contact our sales window correspondents.

ELV, RoHS COMPLIANT

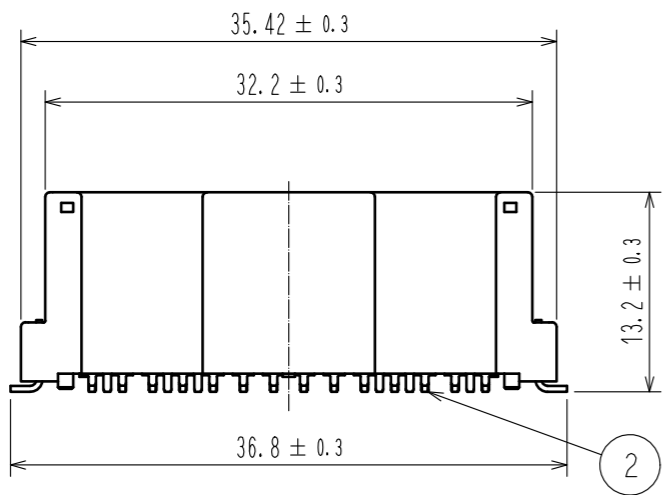
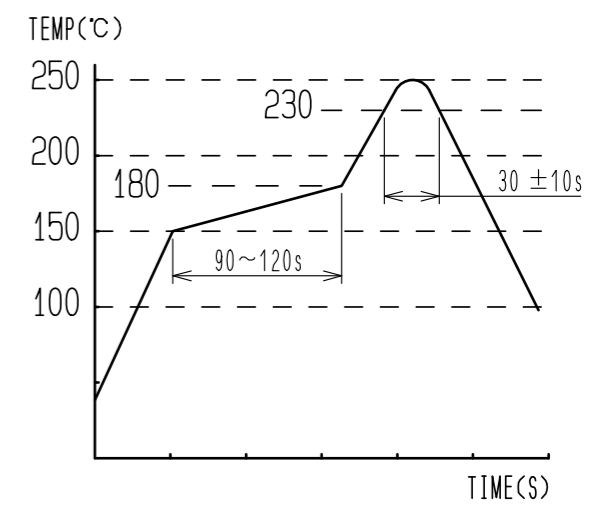


1

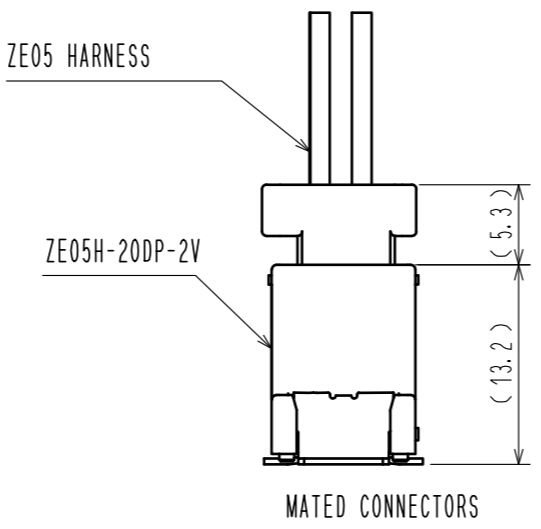


3

- NOTE 1. RECOMMENDED TEMPERATURE PROFILE FOR REFLOW (REFER TO RIGHT FIG.)
USED REFLOW SYSTEM : IR IN THE AIR OR NITROGEN
NO. OF CYCLES : 2 MAX
PEAK : 250°C
OVER 230°C : 20~40s
PREHEAT : 150~180°C
90~120s
2. TEMPERATURE FOR SOLDERING IRON : 280~300°C WITHIN 2s
3. CO-PLANARITY SHALL BE 0.1mm MAX.
4. RECOMMENDED PCB THICKNESS IS 1.6mm.
5. RECOMMENDED SOLDER THICKNESS IS 0.15mm.
6. : Pattern prohibited area



2



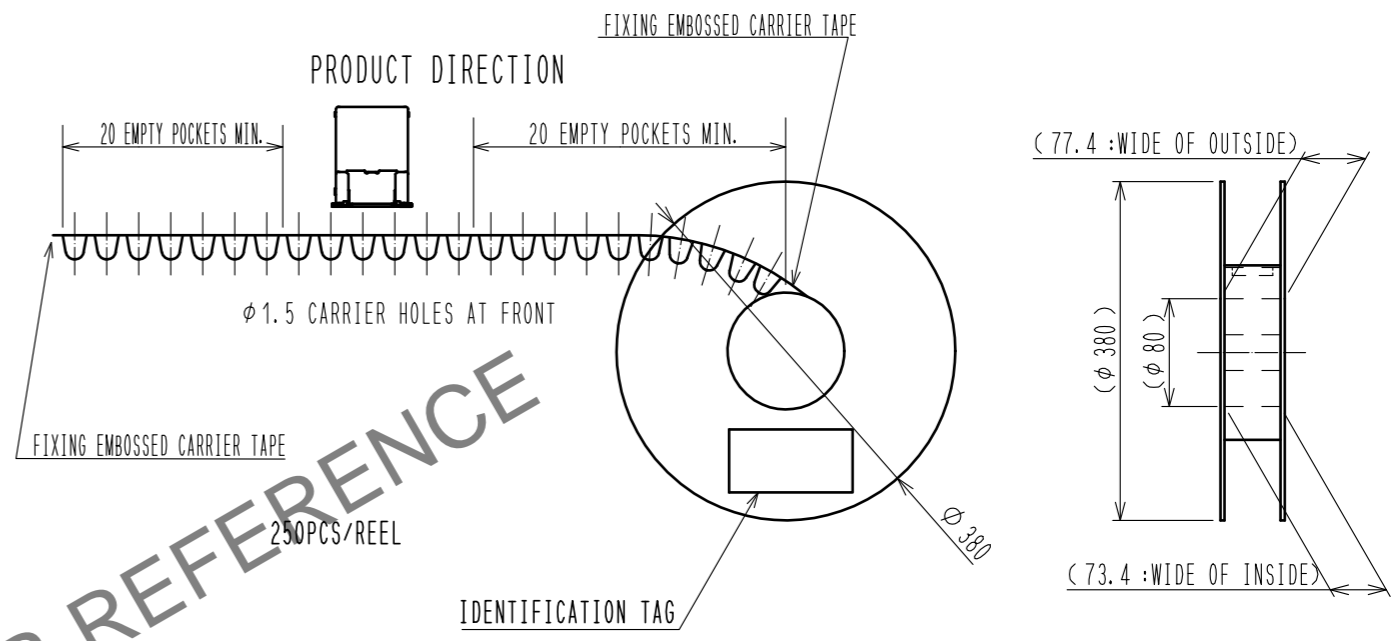
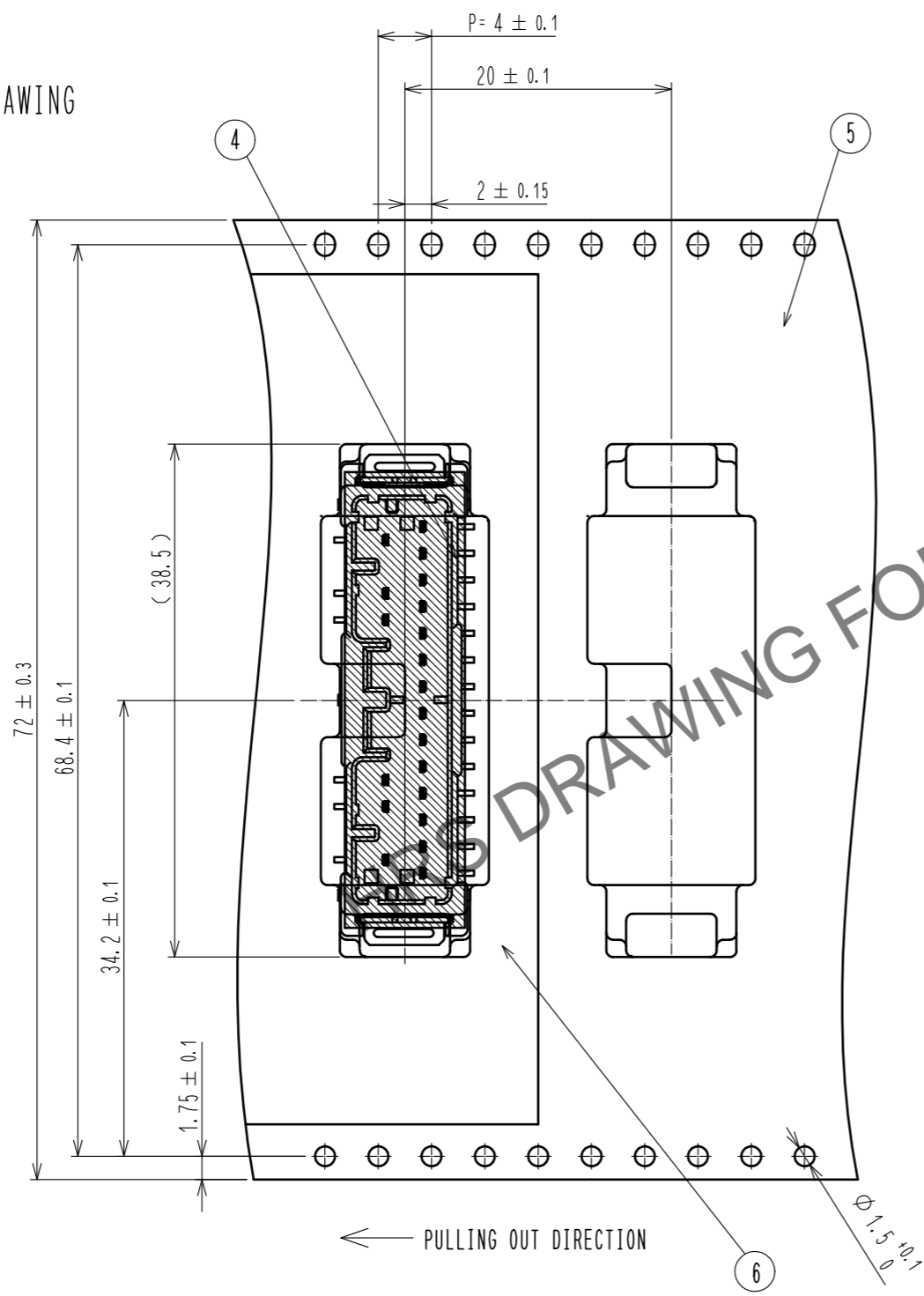
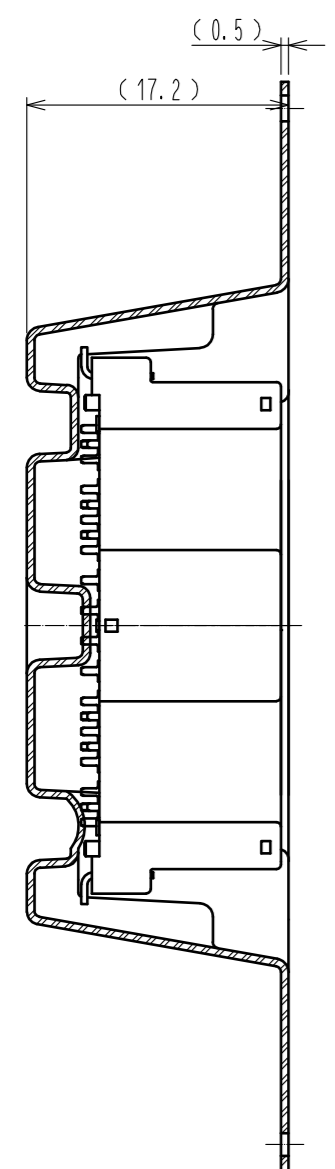
2	BRASS	SURFACE PLATING : TIN PLATING 1μm min UNDER PLATING : NICKEL 1μm min	6	POLYESTER	
1	PA	BLACK UL94V-0	5	POLYSTYRENE	
			4	POLYIMIDE	PICK & PLACE TAPE
			3	BRASS	SURFACE PLATING : TIN PLATING 1μm min UNDER PLATING : NICKEL 1μm min
NO.	MATERIAL	FINISH . REMARKS	NO.	MATERIAL	FINISH . REMARKS
UNITS mm		SCALE 2 : 1	COUNT 1	DESCRIPTION OF REVISIONS DIS-T-00018144	DESIGNED TY. IKEDA
					CHECKED TY. MOGI
					DATE 20230522
APPROVED : HH. TSUKUMO 20200805			DRAWING NO. EDC-379834-00-00		
CHECKED : HH. TSUKUMO 20200805			PART NO. ZE05H-20DP-2V		
DESIGNED : YH. MAMADA 20200805			CODE NO. CL0752-2315-0-00		
DRAWN : YH. MAMADA 20200805					

Feb.1.2025 Copyright 2025 HIROSE ELECTRIC CO., LTD. All Rights Reserved.
 In case of consideration for using Automotive equipment / device which demand high reliability, kindly contact our sales window correspondents.

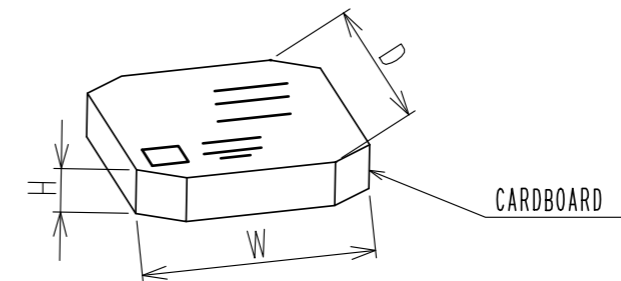
PACKING STYLE

REEL DIMENSION(FREE)

PACKING STYLE DRAWING



CARDBOARD DIMENSION (FREE)



W = (398) (mm)
 D = (394) (mm)
 H = (81) (mm)

HRS	DRAWING NO.	EDC-379834-00-00
	PART NO.	ZE05H-20DP-2V
	CODE NO.	CL0752-2315-0-00