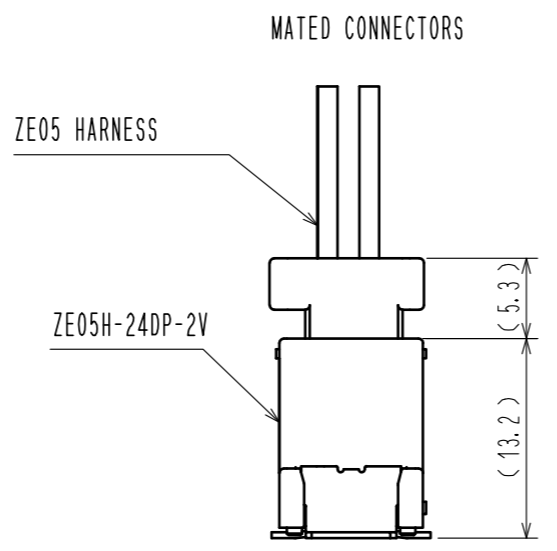
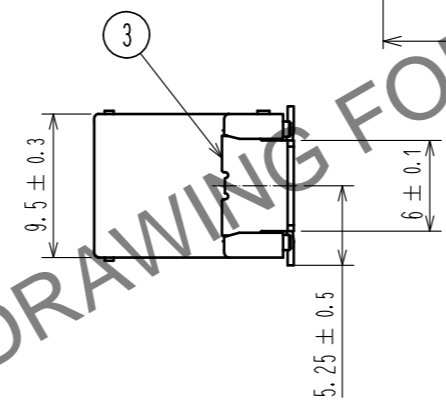
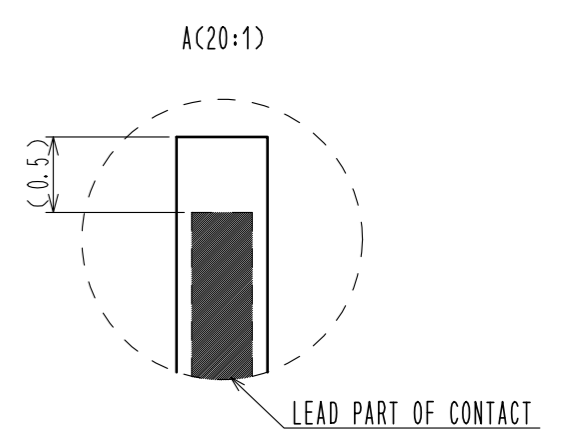
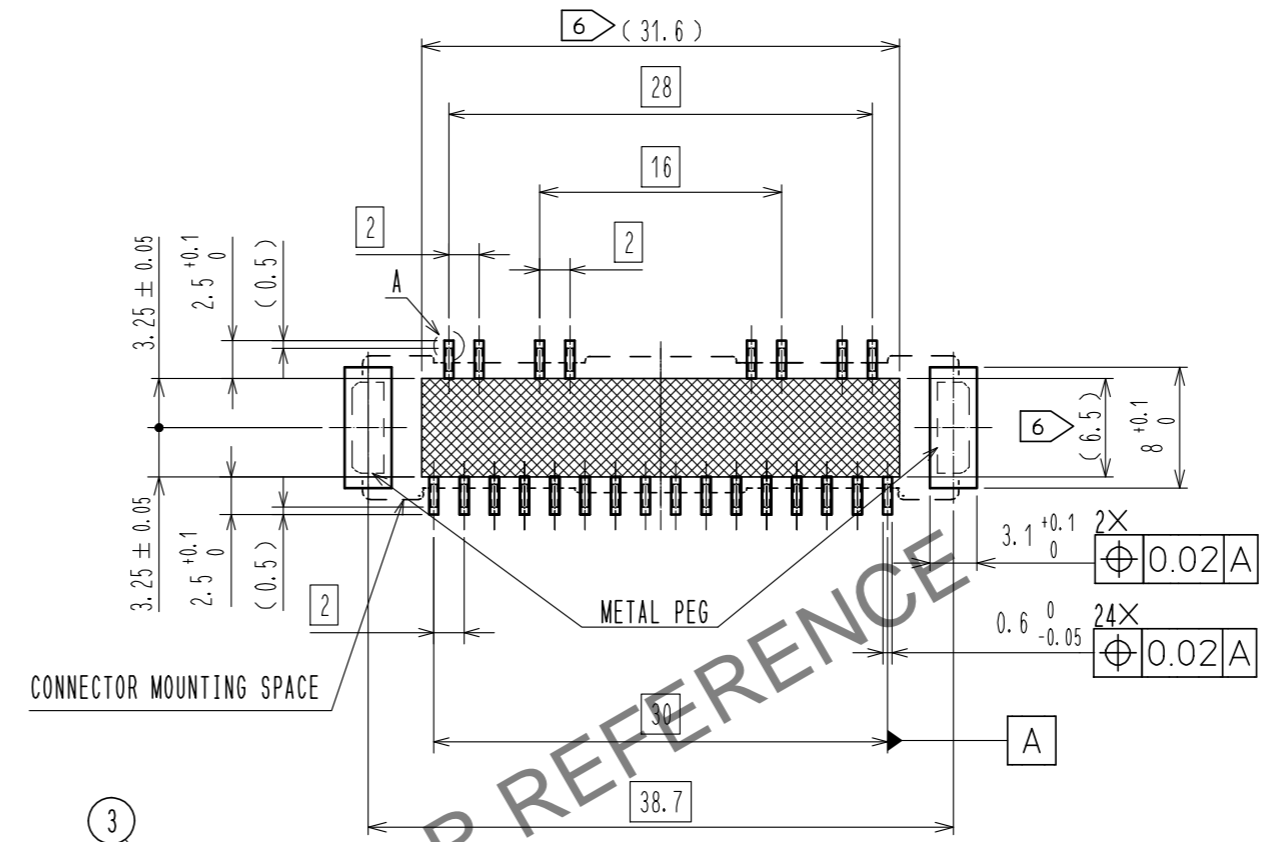
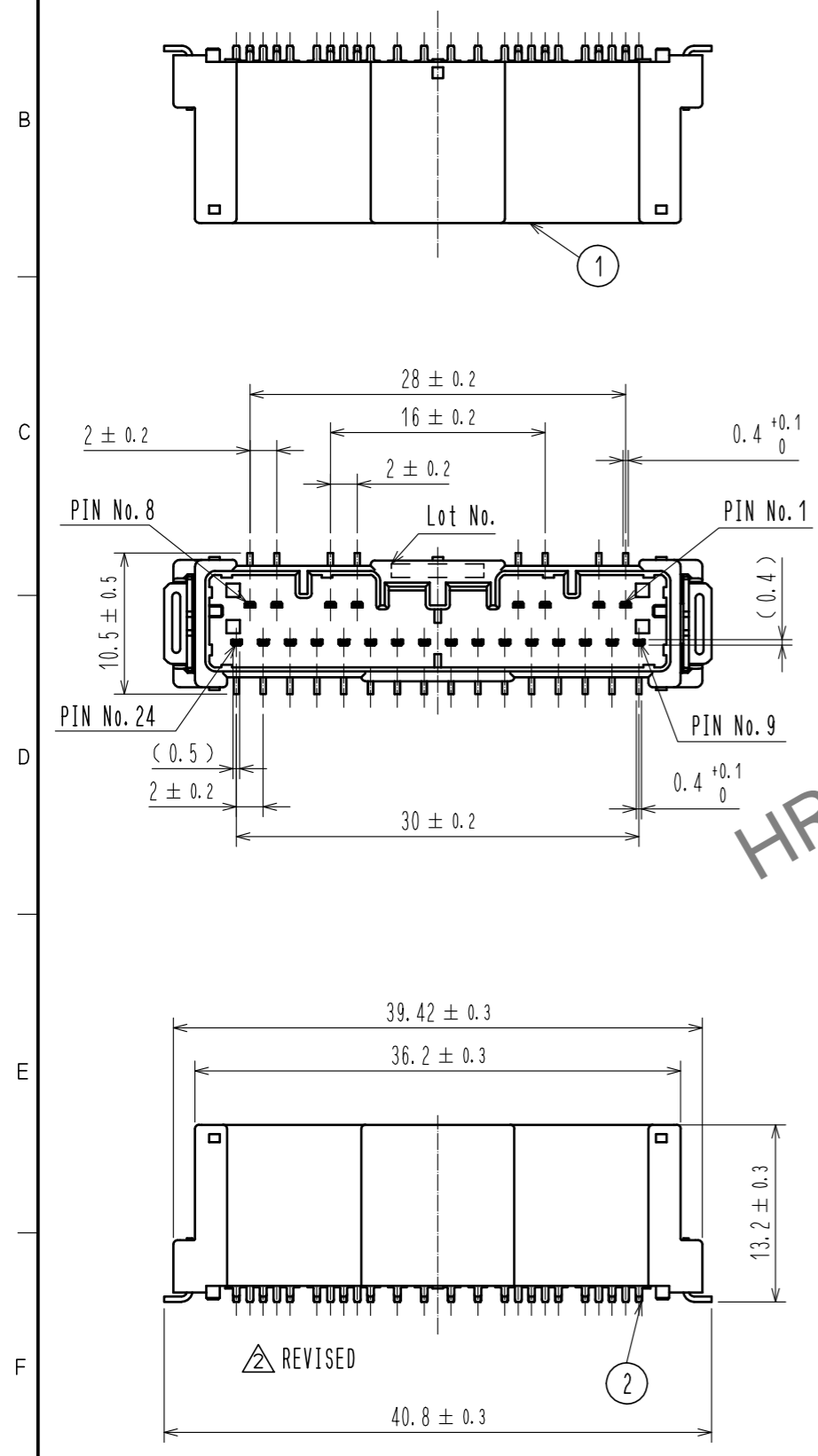


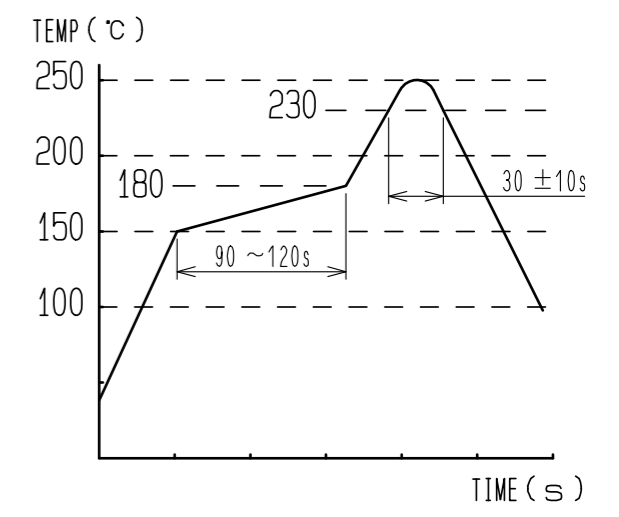
Jan.1.2025 Copyright 2025 HIROSE ELECTRIC CO., LTD. All Rights Reserved.
 In case of consideration for using Automotive equipment / device which demand high reliability, kindly contact our sales window correspondents.

ELV, RoHS COMPLIANT

RECOMMENDED PCB PATTERN



- NOTE 1. RECOMMENDED TEMPERATURE PROFILE FOR REFLOW (REFER TO RIGHT FIG.)
 USED REFLOW SYSTEM
 : IR IN THE AIR OR NITROGEN
 NO. OF CYCLES : 2 MAX
 PEAK : 250°C
 OVER 230°C : 20~40s
 PREHEAT : 150~180°C
 90~120s
 2. TEMPERATURE FOR SOLDERING IRON : 280~300°C WITHIN 2s
 3. CO-PLANARITY SHALL BE 0.1mm MAX.
 4. RECOMMENDED PCB THICKNESS IS 1.6mm.
 5. RECOMMENDED SOLDER THICKNESS IS 0.15mm.
 6. [Pattern Symbol] : PROHIBITED PATTERN AREA

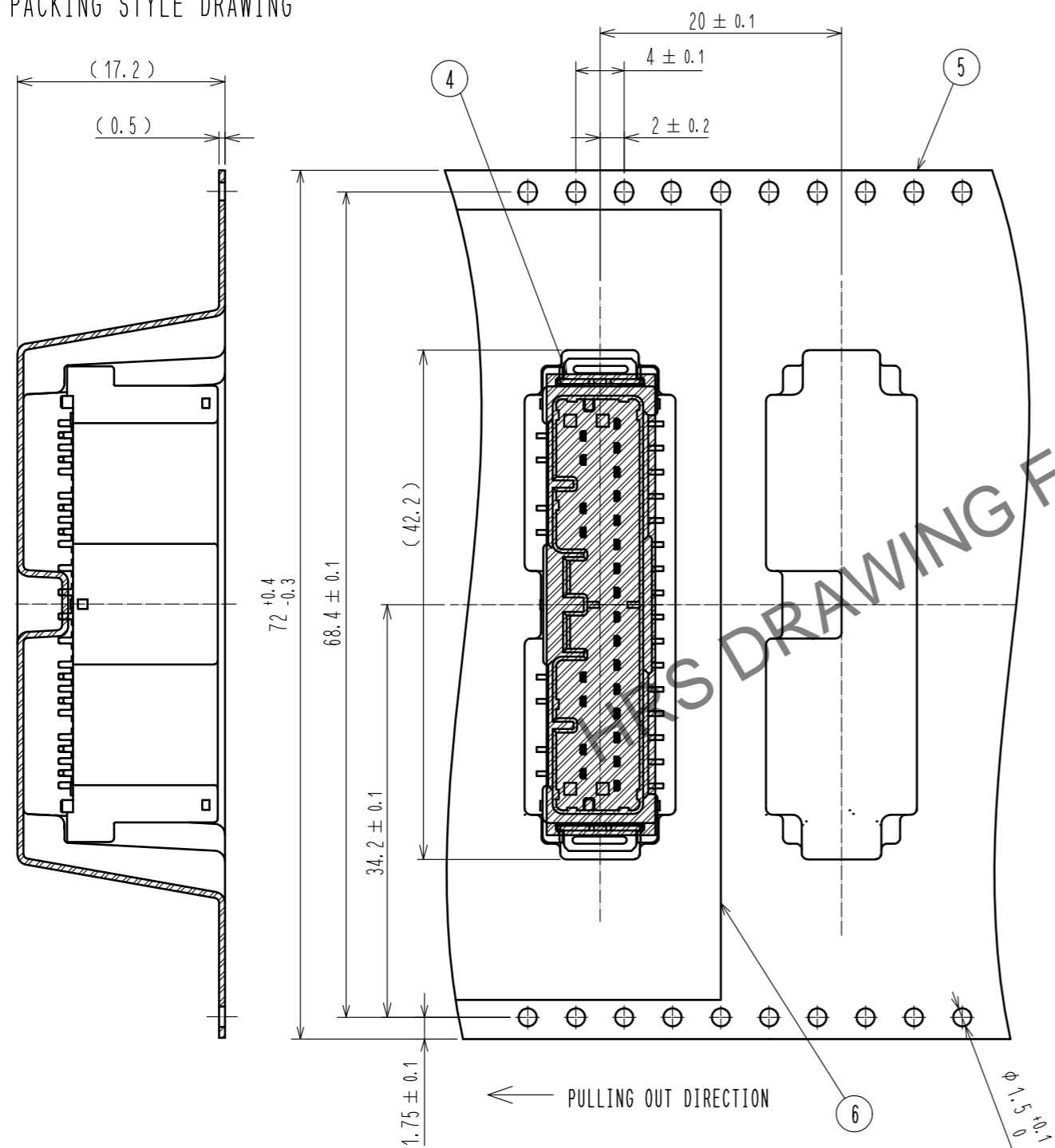


3	BRASS	SURFACE PLATING : TIN PLATING 1μm min UNDER PLATING : NICKEL 1μm min			
2	BRASS	SURFACE PLATING : TIN PLATING 1μm min UNDER PLATING : NICKEL 1μm min	6	POLYESTER	
1	PA	BLACK UL94V-0	5	POLYSTYRENE	
NO.	MATERIAL	FINISH . REMARKS	NO.	MATERIAL	FINISH . REMARKS
			4	POLYIMIDE	PICK & PLACE TAPE
UNITS mm		SCALE 2 : 1	COUNT 1	DESCRIPTION OF REVISIONS DIS-T-00006332	DESIGNED YH.MAMADA
					CHECKED HH.TSUKUMO
					DATE 20200703
HRS	HIROSE ELECTRIC CO., LTD.	APPROVED : HK. UMEHARA CHECKED : OM. MIYAMOTO DESIGNED : TY. ISHIGURO DRAWN : GYEONGMIN LEE	20190517 20190517 20190517 20190515	DRAWING NO. PART NO. CODE NO.	EDC-379835-00-00 ZE05H-24DP-2V CL752-2316-0-00
					1/2

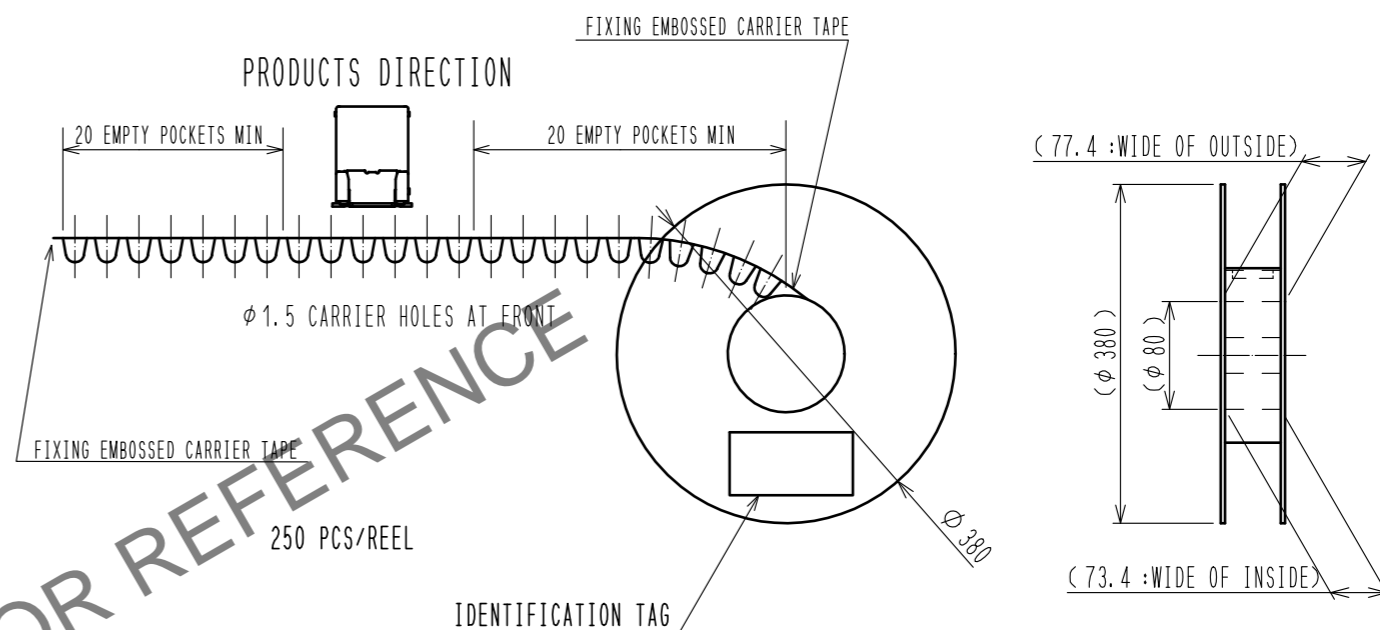
Jan.1.2025 Copyright 2025 HIROSE ELECTRIC CO., LTD. All Rights Reserved.
 In case of consideration for using Automotive equipment / device which demand high reliability, kindly contact our sales window correspondents.

PACKING STYLE

PACKING STYLE DRAWING

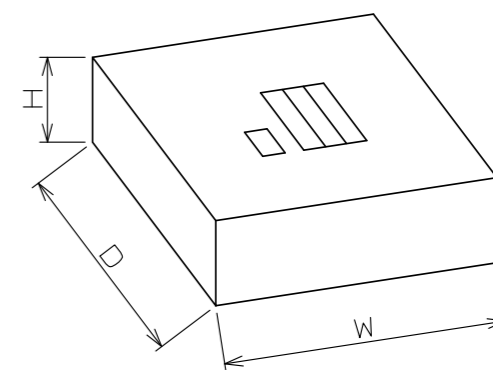


REEL DIMENSION



CARDBOARD DIMENSION (FREE)

W=(405) (mm)
 D=(405) (mm)
 H=(80) (mm)



HRS	DRAWING NO.	EDC-379835-00-00	2/2
	PART NO.	ZE05H-24DP-2V	
	CODE NO.	CL752-2316-0-00	