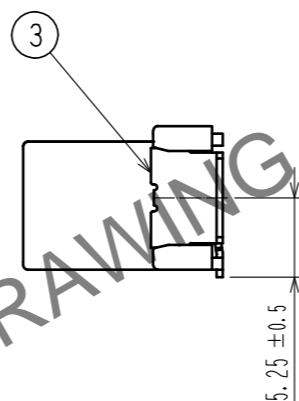
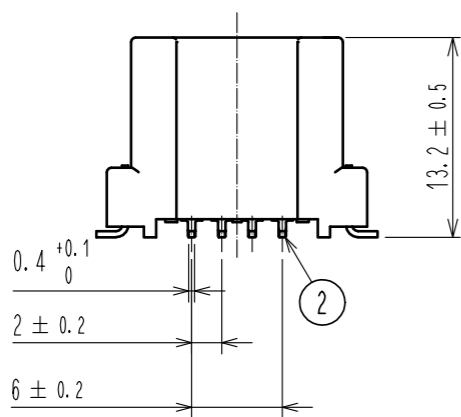
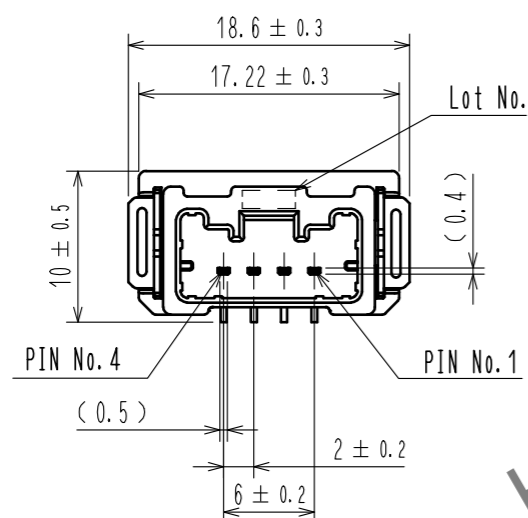
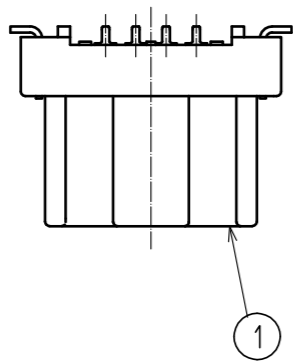
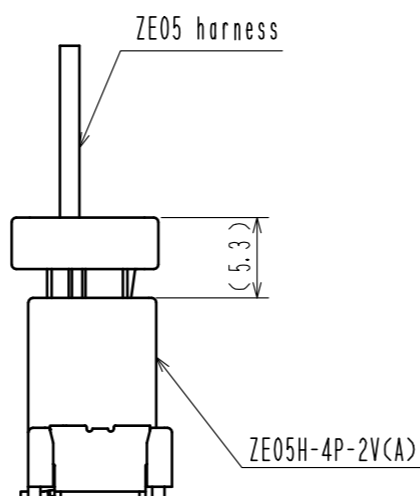


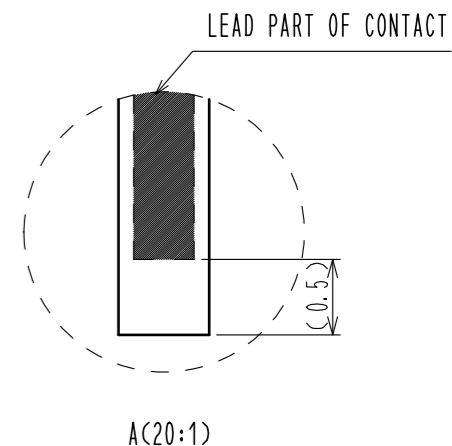
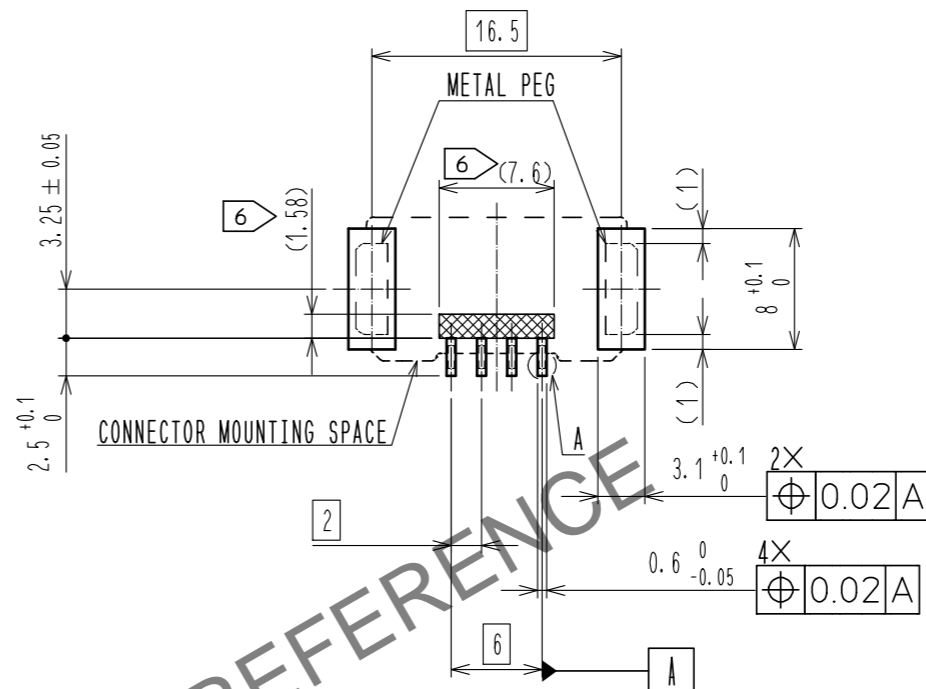
ELV, ROHS COMPLIANT



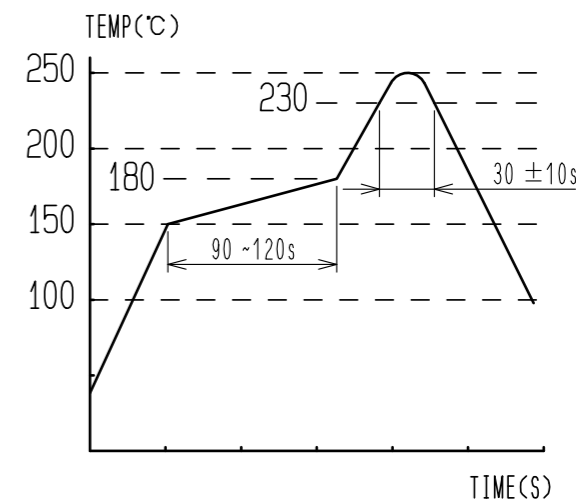
MATED CONNECTORS



RECOMMENDED PCB PATTERN



- NOTE 1. RECOMMENDED TEMPERATURE PROFILE FOR REFLOW (REFER TO RIGHT FIG.) USED REFLOW SYSTEM  
 : IR IN THE AIR OR NITROGEN  
 NO. OF CYCLES : 2 MAX  
 PEAK : 250°C  
 OVER 230°C : 20~40s  
 PREHEAT : 150~180°C  
 90~120s
2. TEMPERATURE FOR SOLDERING IRON : 280~300°C WITHIN 2s
3. CO-PLANARITY SHALL BE 0.1mm MAX.
4. RECOMMENDED PCB THICKNESS IS 1.6mm.
5. RECOMMENDED SOLDER THICKNESS IS 0.15mm.
6. : PROHIBITED PATTERN AREA



3	BRASS	SURFACE PLATING : TIN PLATING 1μm min					
		UNDER PLATING : NICKEL 1μm min					
2	BRASS	SURFACE PLATING : TIN PLATING 1μm min	6	POLYIMIDE	PICK & PLACE TAPE		
		UNDER PLATING : NICKEL 1μm min	5	POLYESTER			
1	PA	GRAY UL94V-0	4	POLYSTYRENE			
NO.	MATERIAL	FINISH . REMARKS	NO.	MATERIAL	FINISH . REMARKS		
UNITS		SCALE	COUNT	DESCRIPTION OF REVISIONS	DESIGNED	CHECKED	DATE
mm		2 : 1	2	DIS-T-00006748	YH.MAMADA	HH.TSUKUMO	20200920
<b>HRS</b> HIROSE ELECTRIC CO., LTD.		APPROVED : HK. UMEHARA	20190607	DRAWING NO. EDC-388131-00-00			
		CHECKED : HK. UMEHARA	20190607	PART NO. ZE05H-4P-2V(A)			
		DESIGNED : YH. MAMADA	20190607	CODE NO. CL752-2320-0-00			
		DRAWN : MINTAE KANG	20190607				

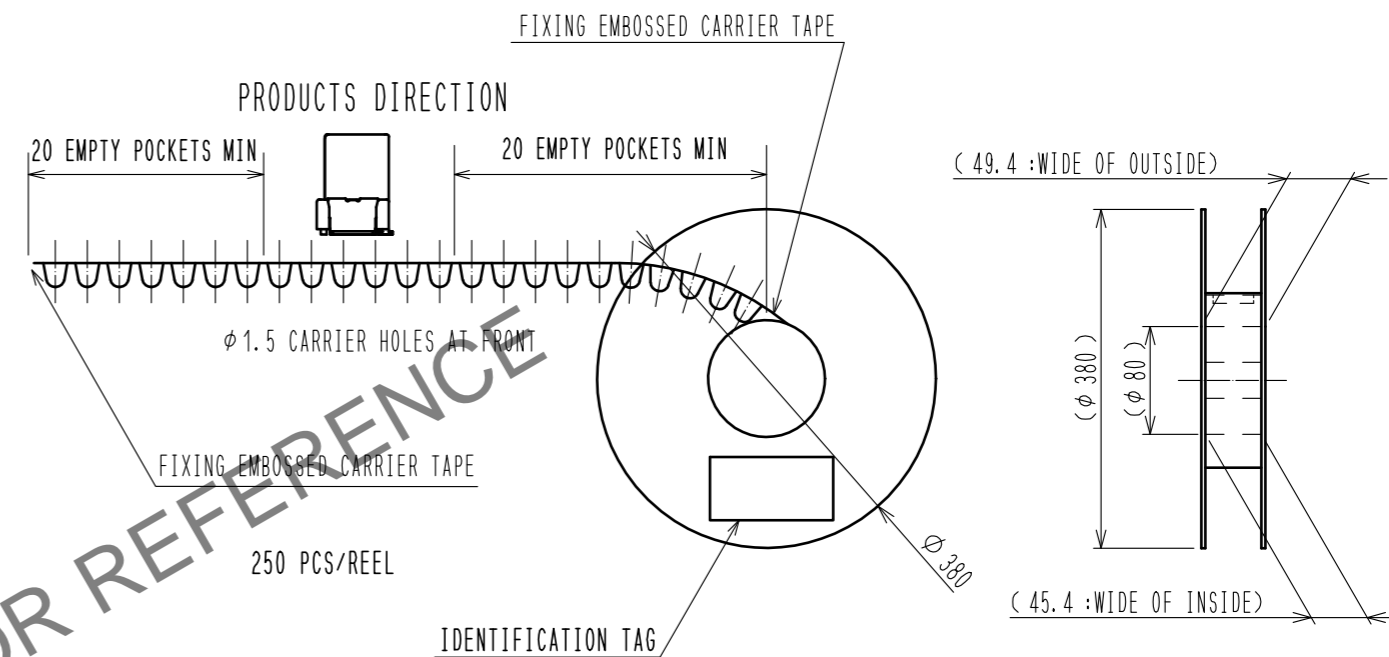
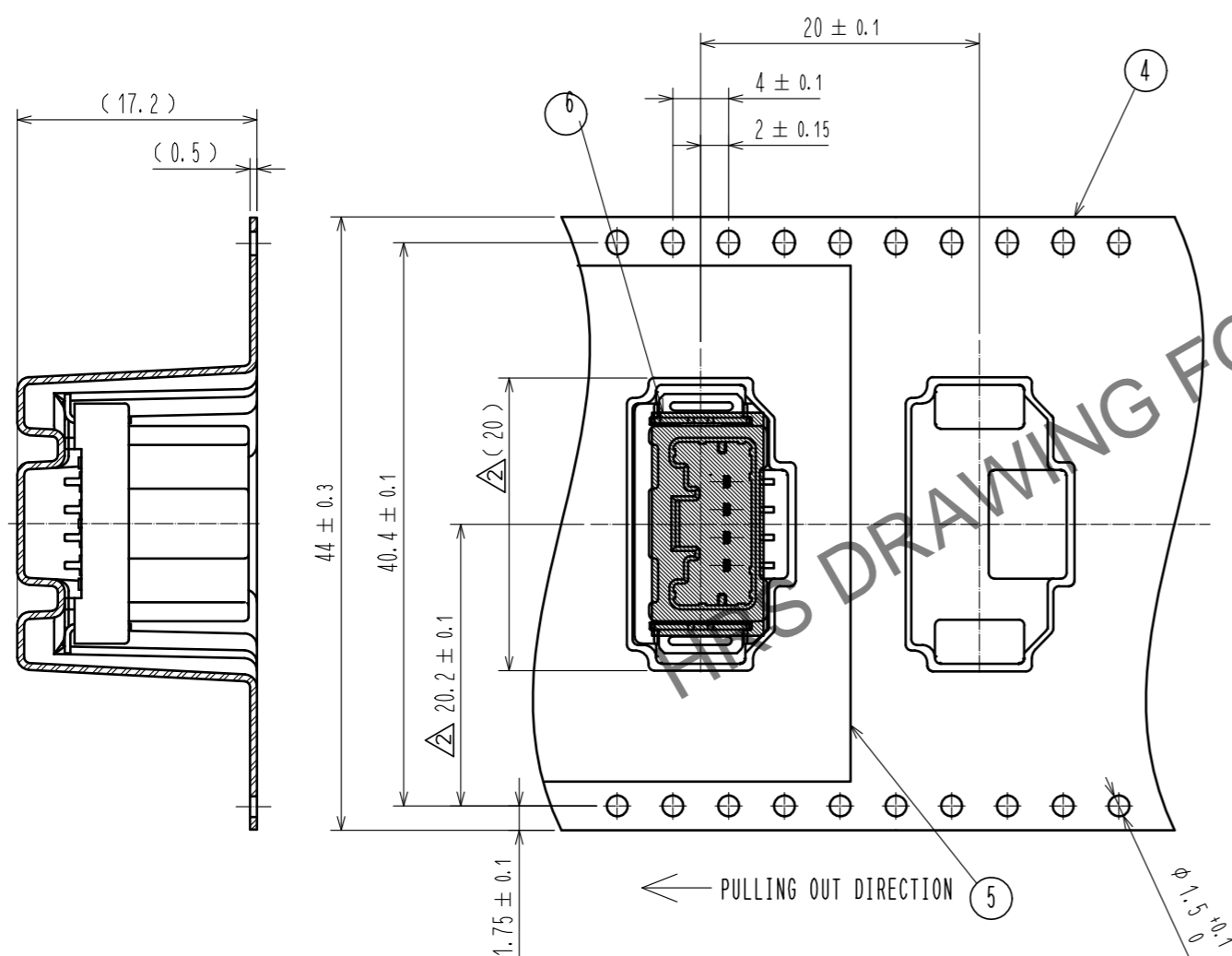
Oct.1.2024 Copyright 2024 HIROSE ELECTRIC CO., LTD. All Rights Reserved. In case of consideration for using Automotive equipment / device which demand high reliability, kindly contact our sales window correspondents.

Oct.1.2024 Copyright 2024 HIROSE ELECTRIC CO., LTD. All Rights Reserved.  
 In case of consideration for using Automotive equipment / device which demand high reliability, kindly contact our sales window correspondents.

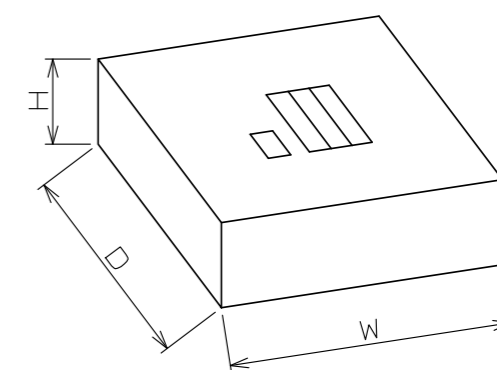
# PACKING STYLE

# REEL DIMENSION (FREE)

## PACKING STYLE DRAWING



# CARDBOARD DIMENSION (FREE)



W=(405) (mm)  
 D=(405) (mm)  
 H= (51) (mm)

<b>HRS</b>	DRAWING NO.	EDC-388131-00-00	
	PART NO.	ZE05H-4P-2V(A)	
	CODE NO.	CL752-2320-0-00	