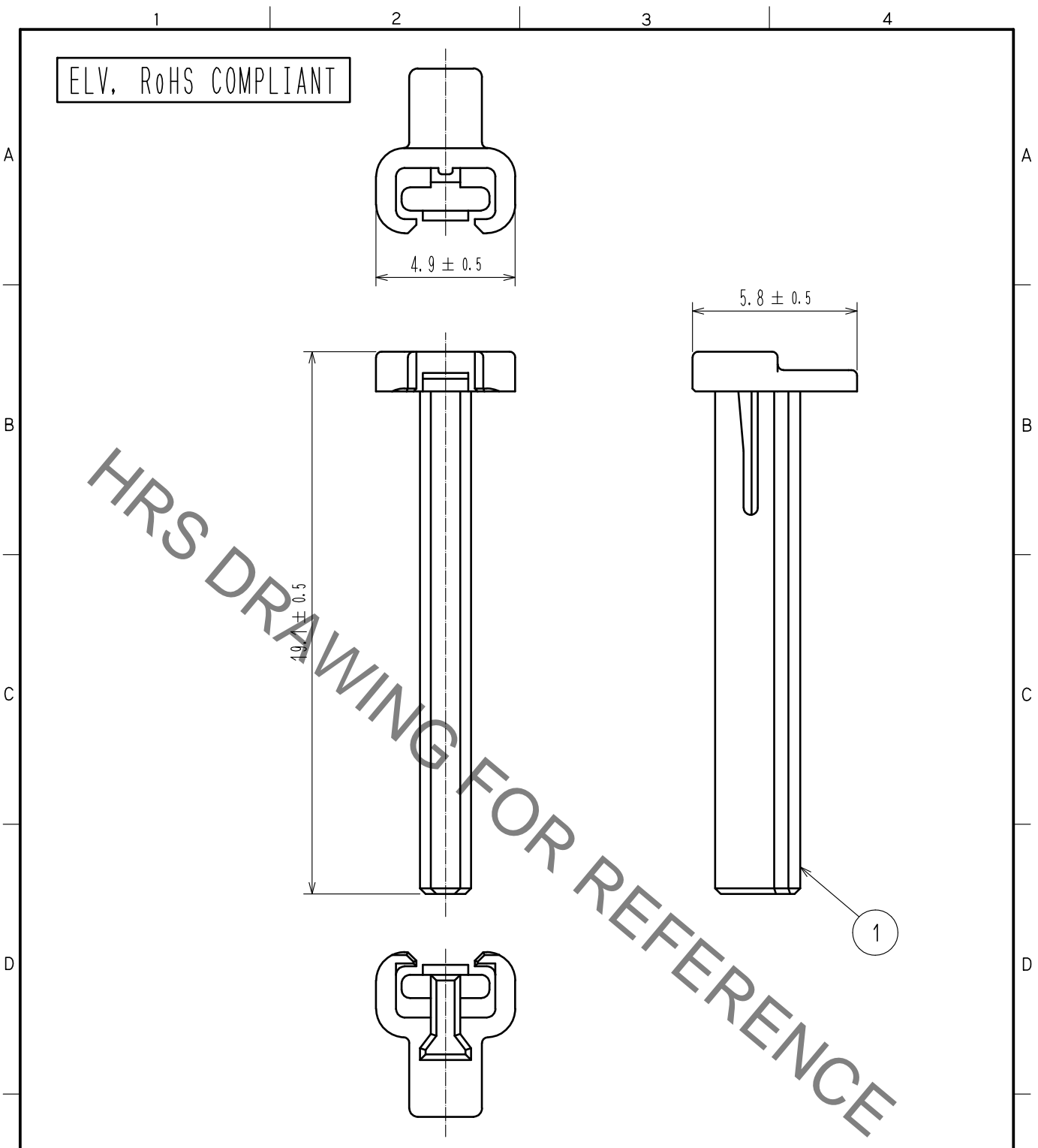


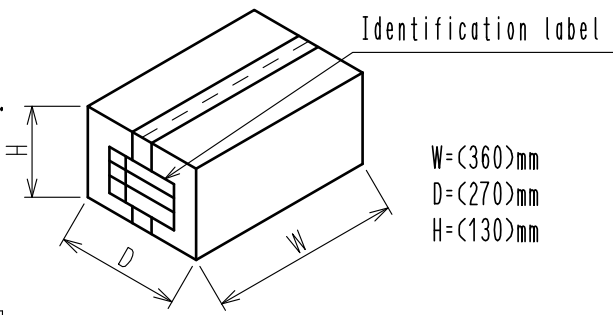
Sep.1.2021 Copyright 2021 HIROSE ELECTRIC CO., LTD. All Rights Reserved.
 In case of consideration for using Automotive equipment / device which demand high reliability, kindly contact our sales window correspondents.

ELV, RoHS COMPLIANT



PACKAGING SPECIFICATION

- (1) 1,000pcs parts are contained in a plastic bag.
- (2) 10 plastic bags are contained in a carton.
(Total 10,000 pcs in one carton)
- (3) Close the box and seal with packing tape.



W=(360)mm
 D=(270)mm
 H=(130)mm

1	PBT	DARK GRAY, UL94V-0						
NO.	MATERIAL	FINISH . REMARKS		NO.	MATERIAL	FINISH . REMARKS		
UNITS mm		SCALE 5 : 1	COUNT 	DESCRIPTION OF REVISIONS		DESIGNED	CHECKED	DATE
HIROSE ELECTRIC CO., LTD.		APPROVED	:HK. UMEHARA	20210212	DRAWING NO.	EDC-395495-00-00		
		CHECKED	:OM. MIYAMOTO	20210212	PART NO.	ZH05-16DP-R		
		DESIGNED	:KH. MARUNO	20210209	CODE NO.	CL0756-2215-0-00		
		DRAWN	:KH. MARUNO	20210209				1