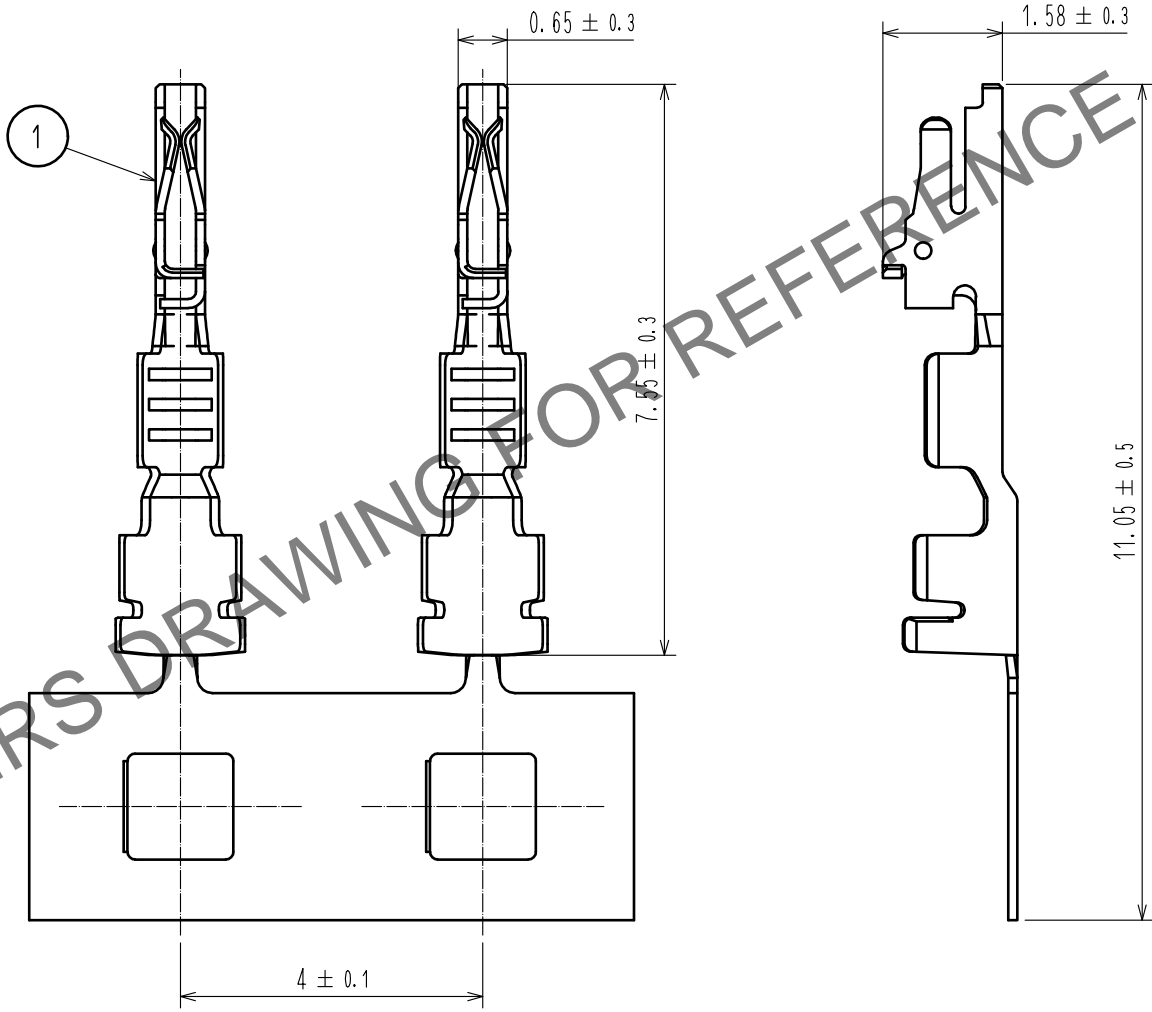
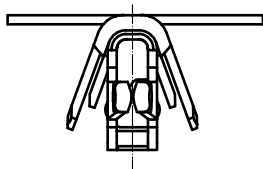


ELV, RoHS COMPLIANT



NOTE 1. 1 REEL : 28,000PCS  
 2. REGARDING HOW TO HANDLE THE PACKAGED PRODUCTS, PLEASE REFER TO THE ATAD-T0946-00 「INSTRUCTION MANUAL FOR HANDLING OF REEL PACKAGING CONTAINING CRIMP TERMINALS」

1	COPPER ALLOYS	CONTACT : Au PLATING OTHER : Ni PLATING						
NO.	MATERIAL	FINISH .	REMARKS	NO.	MATERIAL	FINISH .	REMARKS	
UNITS mm		SCALE 5 : 1	COUNT 1	DESCRIPTION OF REVISIONS DIS-T-00013628		DESIGNED AN. SAIKI	CHECKED HH. TSUKUMO	DATE 20220524
HIROSE ELECTRIC CO., LTD.		APPROVED :HK. UMEHARA	20200806	DRAWING NO. EDC-392584-00-00				
		CHECKED :OM. MIYAMOTO	20200805	PART NO. GT50-28SCFA				
		DESIGNED :YT. TAKANASHI	20200805	CODE NO. CL0760-1001-0-00				
		DRAWN :GY. YOON	20200805					

Dec.1.2024 Copyright 2024 HIROSE ELECTRIC CO., LTD. All Rights Reserved. In case of consideration for using Automotive equipment / device which demand high reliability, kindly contact our sales window correspondents.