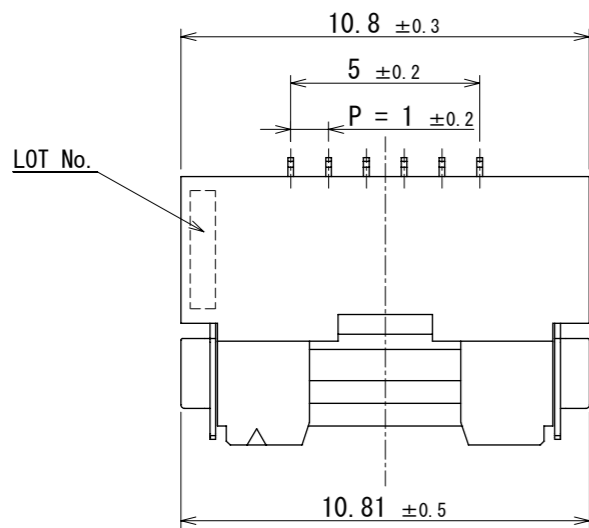
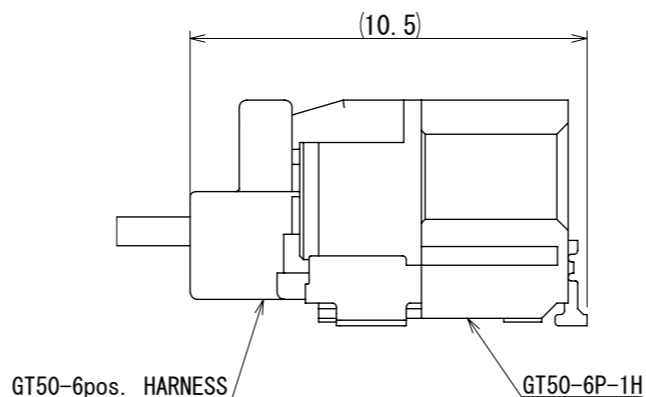


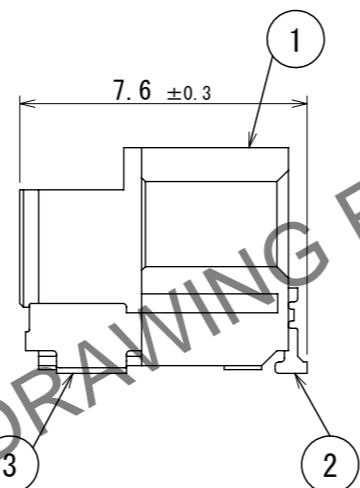
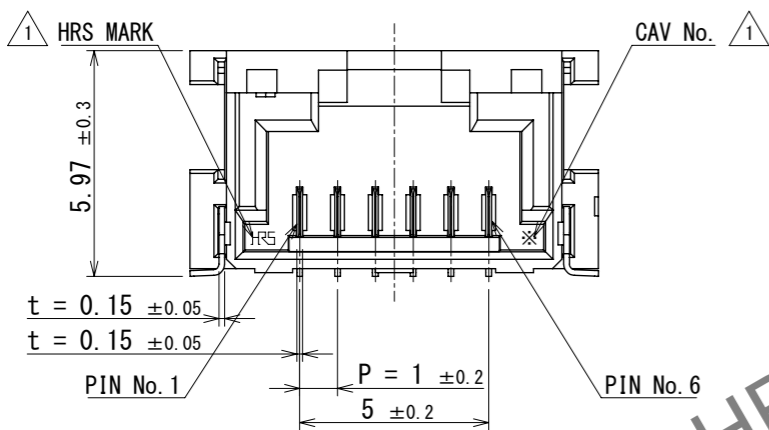
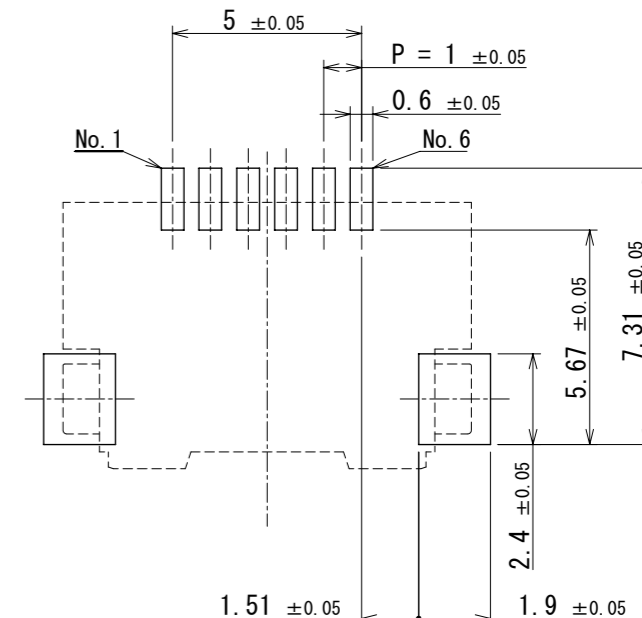
ELV. RoHS COMPLIANT



MATED CONNECTORS (FREE)



RECOMMENDED PCB PATTERN (FREE)
OPEN AREA RATIO : 100%

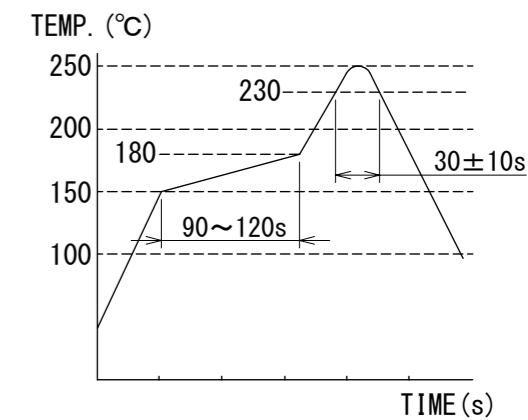


HRS DRAWING FOR REFERENCE

NOTE 1. RECOMMENDED TEMPERATURE PROFILE FOR REFLOW
(REFER TO RIGHT FIG.)
USED REFLOW SYSTEM

- NO. OF CYCLES : 2 MAX
- PEAK : 250°C
- OVER 230°C : 20~40s
- PREHEAT : 150~180°C
- 90~120s

- △ 2. TEMPERATURE FOR SOLDERING IRON : 350~380°C WITHIN 5s
- 3. CO-PLANARITY : 0.1mm MAX
- 4. RECOMMENDED SOLDER THICKNESS : 0.10mm



3	BRASS	TIN PLATING	6	POLYSTYRENE									
2	BRASS	Au PLATING	5	POLYESTER									
1	LCP	BLACK	4	POLYSTYRENE									
NO.	MATERIAL	FINISH	REMARKS	NO.	MATERIAL	FINISH	REMARKS						
UNITS	mm	SCALE	5:1	COUNT	3	DESCRIPTION OF REVISIONS	DIS-T-00020330	DESIGNED	RS. TAKAGI	CHECKED	HH. TSUKUMO	DATE	2024. 03. 05
APPROVED : AH. EDASHIGE		2023. 10. 12		DRAWING NO.		EDC-392589-00-00							
CHECKED : HH. TSUKUMO		2023. 10. 12		PART NO.		GT50-6P-1H							
DESIGNED : RS. TAKAGI		2023. 10. 11		CODE NO.		CL0760-1006-0-00							
DRAWN : RS. TAKAGI		2023. 10. 11											

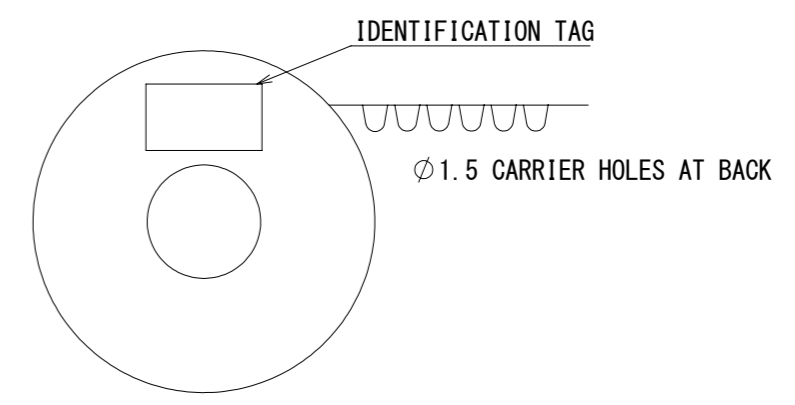
Nov.1.2024 Copyright 2024 HIROSE ELECTRIC CO., LTD. All Rights Reserved. In case of consideration for using Automotive equipment / device which demand high reliability, kindly contact our sales window correspondents.

Nov.1.2024 Copyright 2024 HIROSE ELECTRIC CO., LTD. All Rights Reserved.
 In case of consideration for using Automotive equipment / device which demand high reliability, kindly contact our sales window correspondents.

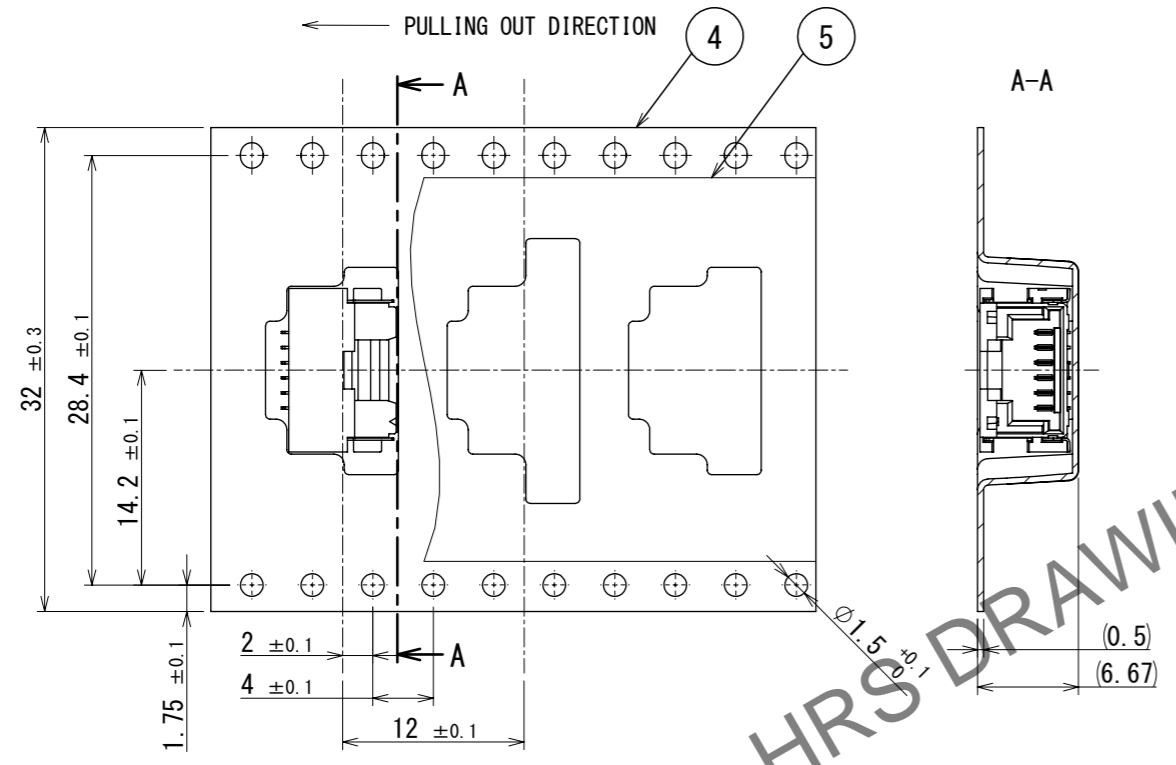
PACKING STYLE (FREE)

A
B
C
D
E
F

REEL DIMENSION

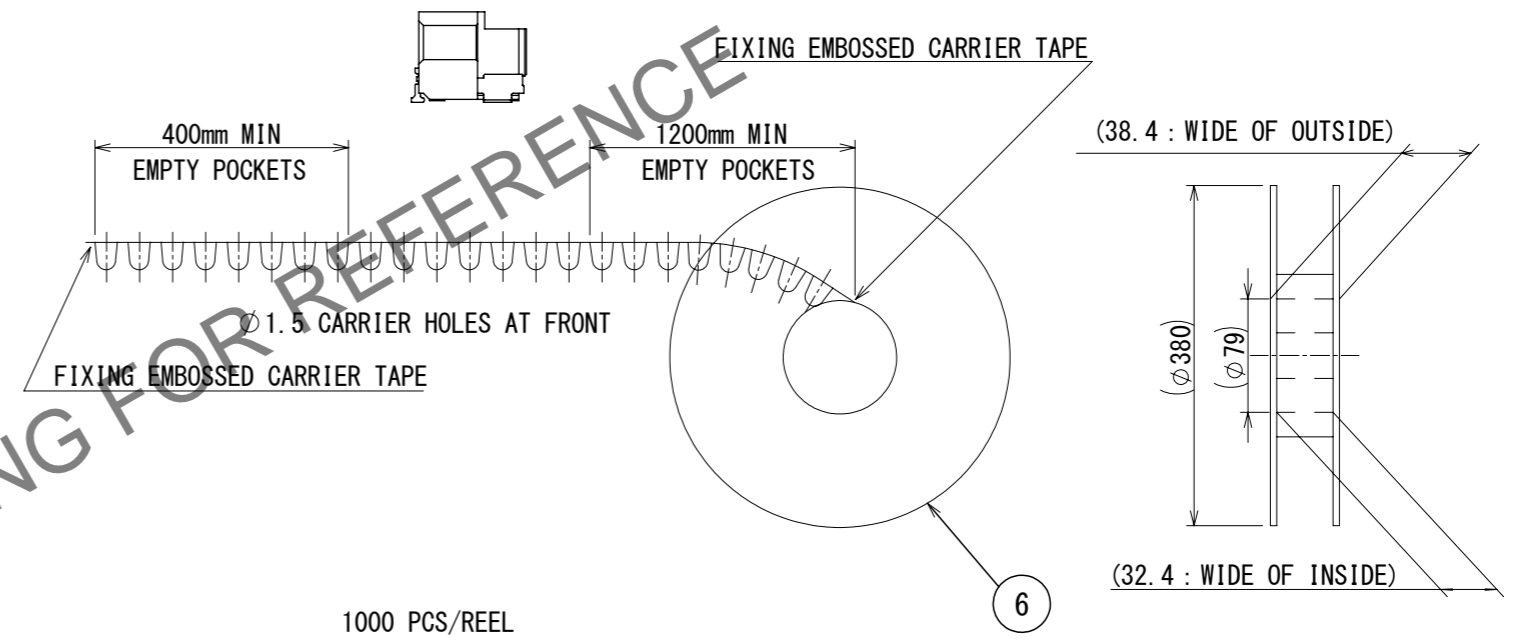


PACKING STYLE DRAWING



※Embossed pocket has a different shape to prevent overlapping, and the drawing shows a representative shape.

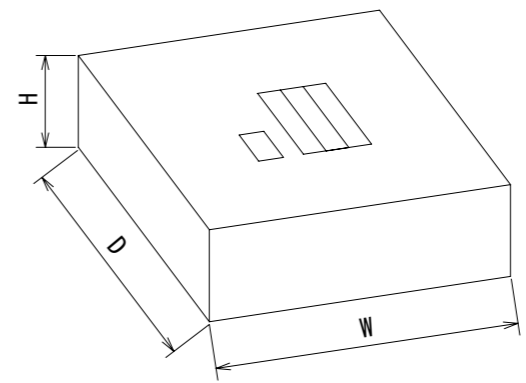
PRODUCTS DIRECTION



1000 PCS/REEL

CARDBOARD DIMENSION

W = (405) (mm)
 D = (405) (mm)
 H = (39) (mm)



HRS	DRAWING NO.	EDC-392589-00-00	2/2
	PART NO.	GT50-6P-1H	
	CODE NO.	CL0760-1006-0-00	
	NO.		