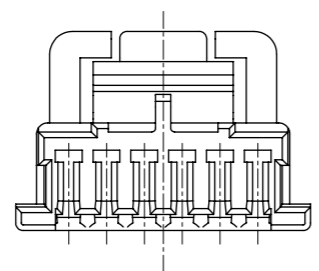
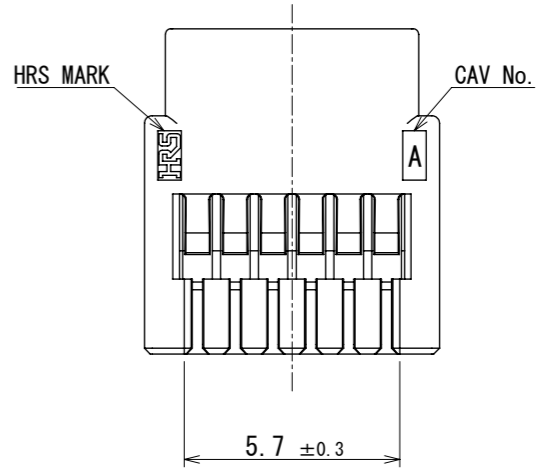
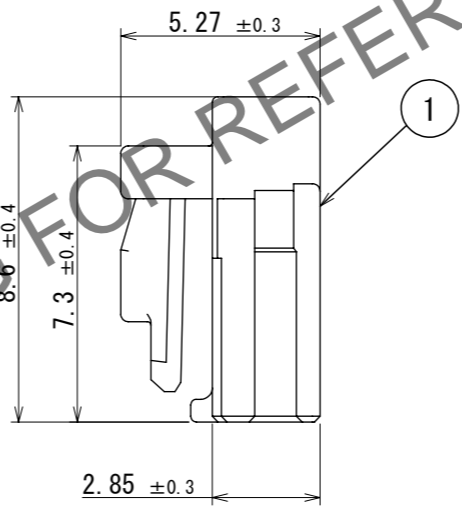
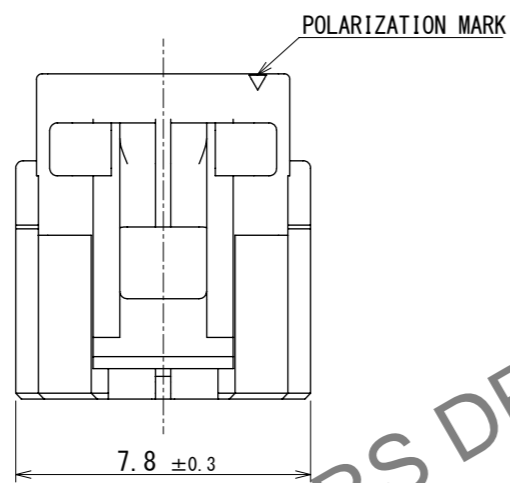
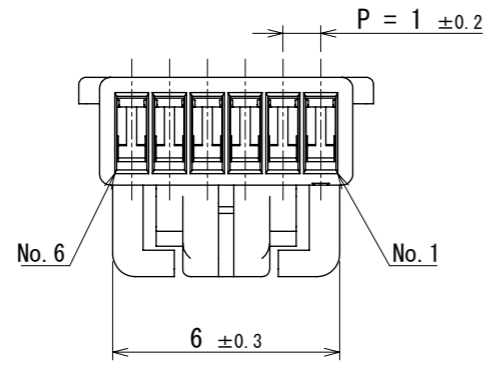


Dec.1.2024 Copyright 2024 HIROSE ELECTRIC CO., LTD. All Rights Reserved.  
 In case of consideration for using Automotive equipment / device which demand high reliability, kindly contact our sales window correspondents.

ELV. RoHS COMPLIANT



NOTE 1. PER PACK : 100 PIECES

UNITS mm		SCALE 5:1	COUNT △	DESCRIPTION OF REVISIONS		DESIGNED	CHECKED	DATE
				APPROVED : AH. EDASHIGE	2023. 10. 12	DRAWING NO.	EDC-392590-00-00	
HIROSE ELECTRIC CO., LTD.				CHECKED : HH. TSUKUMO	2023. 10. 12	PART NO.	GT50-6S-1C	
				DESIGNED : RS. TAKAGI	2023. 10. 11	CODE NO.	CL0760-1007-0-00	
				DRAWN : RS. TAKAGI	2023. 10. 11			△ 1/1

1	PBT	BLACK
NO.	MATERIAL	FINISH , REMARKS