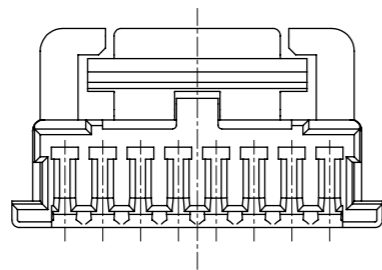
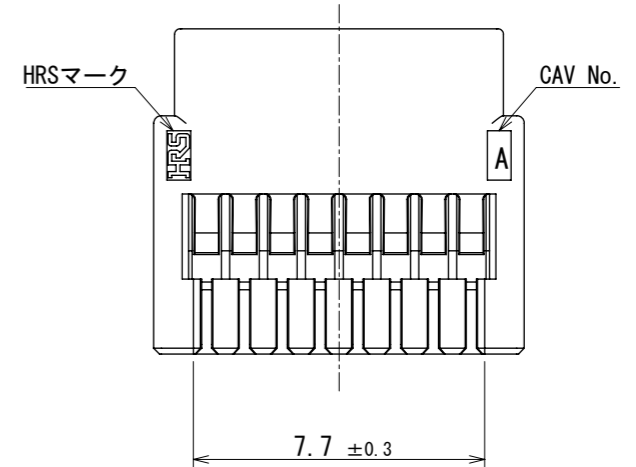
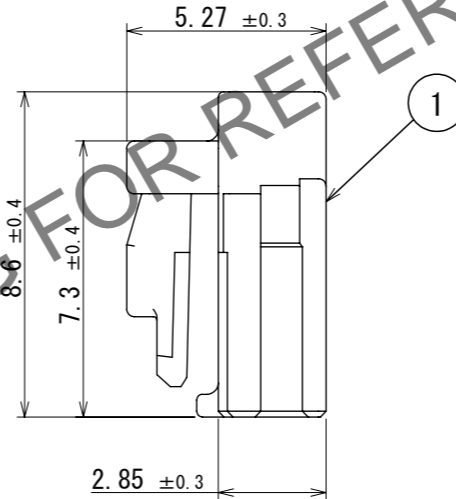
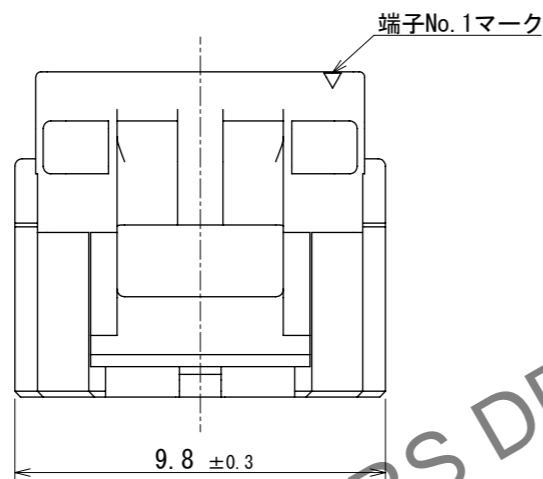
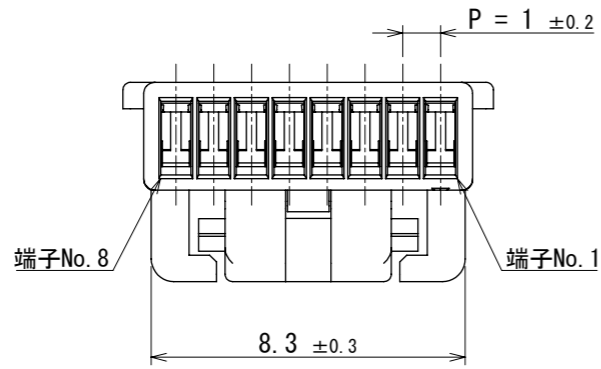


ELV. RoHS適合品



HRS DRAWING FOR REFERENCE

注1. 1パック100個梱包となります。

1	PBT	BLACK
NO.	MATERIAL	FINISH, REMARKS

UNITS	SCALE	COUNT	DESCRIPTION OF REVISIONS	DESIGNED	CHECKED	DATE
mm	5:1	△				
HIROSE ELECTRIC CO., LTD.			APPROVED : AH. EDASHIGE 2023. 10. 12 CHECKED : HH. TSUKUMO 2023. 10. 12 DESIGNED : RS. TAKAGI 2023. 10. 11 DRAWN : RS. TAKAGI 2023. 10. 11	DRAWING NO. ADC-392592-00-00 PART NO. GT50-8S-1C CODE NO. CL0760-1009-0-00		
						△ 1/1